

VENTS MA1 Series



Axial fans for exhaust ventilation with the capacity up to 128 m³/h.

Applications

- Continuous or periodic exhaust ventilation of bathroom, showers, kitchens and other utility spaces.
- Ventilation shaft mounting or duct connection.
- Low to medium air flow motion for short distances at low air resistance.
- Compatible with 100 mm air ducts.

Design

- Modern design and aesthetic look.
- The casing and the impeller are made of high-quality durable ABS plastic, UV resistant.
- The intellectual impeller design makes the fan efficiency high and the service life long.
- Fan is equipped with manually adjusted louver shutters for air back flow preventing.
- Protection rating IP 24.

Motor

- Reliable and low-watt electric motor.
- Designed for continuous operation and requires no maintenance.
- Equipped with overheating protection.

Modifications and Options



MA1 L – the motor is equipped with ball bearings for long service life (appr. 40 thousand hours) and fan mounting at any angle. The bearings are maintenance-free and contain enough grease for the entire operating period.



MA1 turbo – high-powered motor.



MA1 press – 5-blade low-noise impeller with improved aerodynamics for higher fan capacity.



MA1 12 – modification with low-voltage motor. 12 V AC power supply.

Control

Manual:

- The fan is controlled by a room light switch. It is not included in the delivery package.
- The fan is controlled by the built-in pull cord switch **V**. Not applied in case of ceiling mounting.
- Speed control is possible through a thyristor speed controller (see Electrical Accessories). Several fans may be connected to the same regulator unit.

Automatic:

- By the electronic control unit **BU-1-60** (see Electrical Accessories). The control unit is supplied separately.

Mounting features

- The fan is mounted directly into the ventilation shaft.
- Flexible duct application is recommended in case of remote location of the ventilation shaft. The air duct is connected to the fan exhaust flange through a clamp.
- Fixed to wall by self-tapping screws.
- Suitable for ceiling mounting.
- For 12 V low-voltage motor fan connection to 220 V / 50 Hz power mains use the step-down transformer TRF 220/12-25 that is available upon separate order.



Fan ON - louver shutters OPEN



Fan OFF - louver shutters CLOSED

Accessories



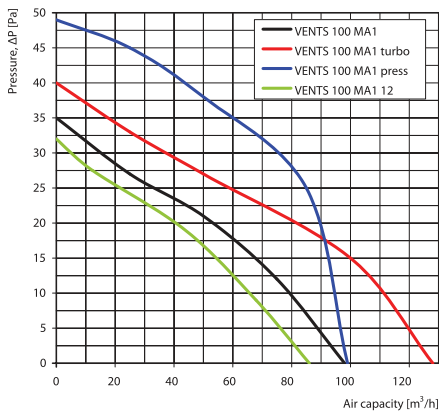
Air ducts

Grilles and hoods

Speed controllers

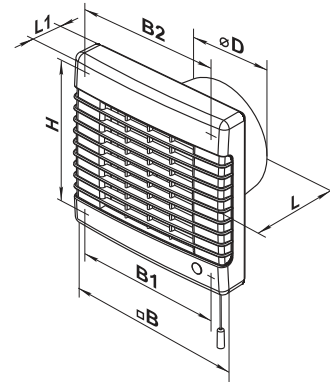
Clamps

Aerodynamic characteristics



Overall dimensions

Model	Dimensions [mm]						
	∅ D	B	B1	B2	H	L	L1
VENTS 100 MA1	100	165	150	150	150	92	32



Technical data

Model	Voltage [V] at 50 Hz	Power Consumption [W]	Current [A]	r.p.m.	Maximum air capacity [m³/h]	Sound Pressure Level at 3m [dB(A)]	Weight [kg]
VENTS 100 MA1	220-240	14	0,085	2300	98	34	0,65
VENTS 100 MA1 turbo	220-240	16	0,1	2300	128	37	0,65
VENTS 100 MA1 press	220-240	16	0,1	2300	99	37	0,65
VENTS 100 MA1 12	12	14	1,5	2200	86	33	0,65

Mounting examples



Certificates

The fans meet the applicable safety and electromagnetic compatibility standards.