

## NK-3 series



Ventilation combined grille with unregulated vanes

### Application

- Supply and exhaust ventilation, heating and air conditioning networks in industrial, commercial and domestic premises.

### Design

- Made of high-quality plastic.
- Weather- and temperature-resistant.
- Removable spring-loaded vanes for simple maintenance.
- Simple and quick mounting.
- Uniform air flow distribution.

### Colour modifications



UV-resistant



Waterproof



Heat-resistant



Frostproof



Easy mounting



Fire-resistant



Antibacterial



Impact-resistant

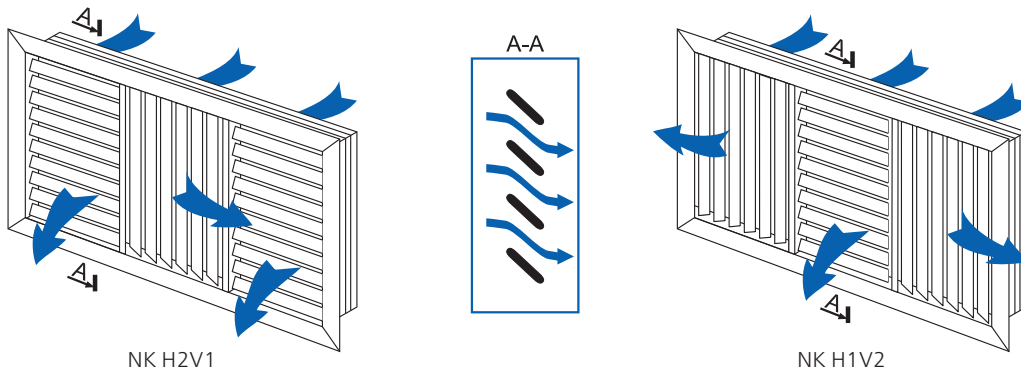


Durable

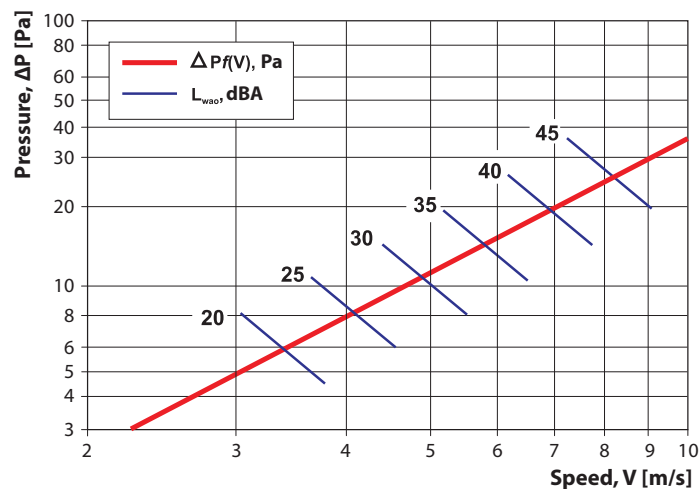


Maintenance-free

### Air flow distribution

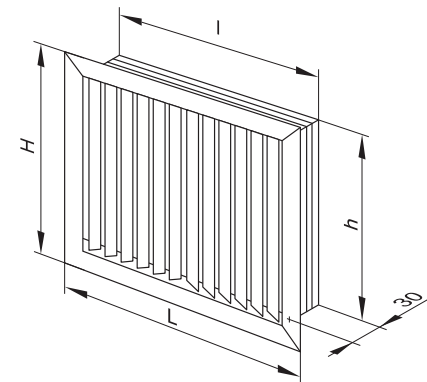


### Pressure loss and sound power diagram

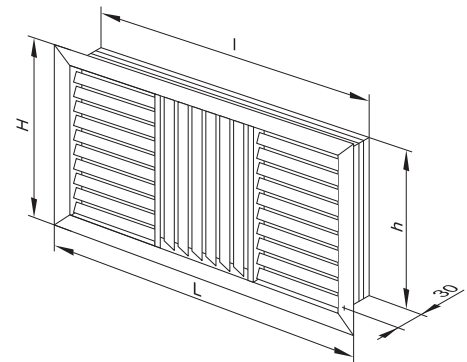


## Overall dimensions

Model	Dimensions [mm]				Air pass [m <sup>2</sup> ]
	H	L	h	l	
NV NK H1V1 580x580	598	598	584	584	0,0755



Model	Dimensions [mm]				Air pass [m <sup>2</sup> ]
	H	L	h	l	
NK H2V1 1200x600	602	1214	588	1200	0,1718
NK Γ2V1 1350x600	602	1364	588	1350	0,1966
NK Γ2V1 1500x600	602	1514	588	1500	0,2213



Model	Dimensions [mm]				Air pass [m <sup>2</sup> ]
	H	L	h	l	
NK H1V2 900x300	303	929	289	915	0,0562
NK H1V2 1200x300	303	1214	289	1200	0,09069
NK H1V2 900x400	392	929	378	915	0,0774
NK H1V2 1200x400	392	1214	378	1200	0,1064
NK H1V2 900x600	602	929	588	915	0,1273
NK H1V2 1200x600	602	1214	588	1200	0,1750
NK H1V2 1350x600	602	1364	588	1350	0,2002
NK H1V2 1500x600	602	1514	588	1500	0,2253

