

NK-4 series



Ventilation combined grille with unregulated vanes

Application

- Supply and exhaust ventilation, heating and air conditioning networks in industrial, commercial and domestic premises.

Design

- Made of high-quality plastic.
- Weather- and temperature-resistant.
- Removable spring-loaded vanes for simple maintenance.
- Simple and quick mounting.
- Uniform air flow distribution.

Colour modifications



UV-resistant



Waterproof



Heat-resistant



Frostproof



Easy mounting



Fire-resistant



Antibacterial



Impact-resistant

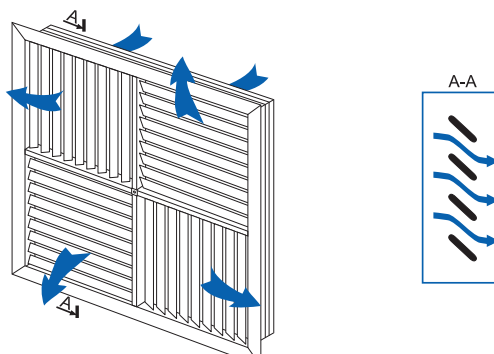


Durable

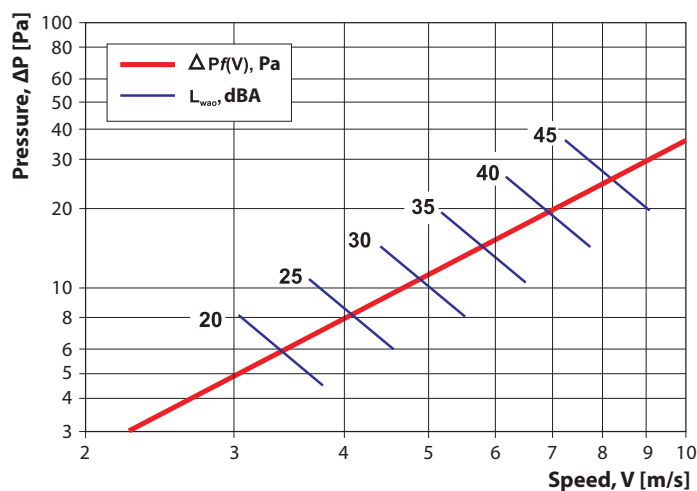


Maintenance-free

Air flow distribution



Pressure loss and sound power diagram



Overall dimensions

Model	Dimensions [mm]				Air pass [m ²]
	H	L	h	l	
NK H2V2 550x550	570	570	556	556	0,0422
NK H2V2 600x600	630	630	616	616	0,0577
NK H2V2 900x600	630	930	616	619	0,0982

