

Series  
**VENTS OVP**



Low pressure axial fan in steel casing with air flow up to **2500 m<sup>3</sup>/h** for round duct installation

**Application**

Supply and exhaust ventilation systems for commercial, office and other public or industrial premises where high air flow at relatively low system resistance is required.

**Design**

The fan casing and the impeller are made of polymer coated steel. The fan casing sides have 30 mm deep corrugation for convenient attachment to the air ducts. The OVP series fans feature an external terminal box mounted to the fan casing.

**Motor**

Depending on the model the fans are equipped with two- or four-pole single-phase asynchronous motors with an external rotor and integrated self-resetting overheat protection. Ball bearings in the motor provide long service life designed for at least 40 000 hours. Motor protection rating IP44.

**Speed control**

Both smooth or step speed control is performed by means of a thyristor or autotransformer controller. Several fans can be connected to one controller if the total power and operating current do not exceed the rated controller values.

**Mounting**

The fan is attached to a wall or the ceiling by means of the mounting brackets (included). The power is supplied via the side-mounted box. Electrical connection and installation must be performed in accordance with the instruction manual and the electrical connections diagram applied to the terminal box.

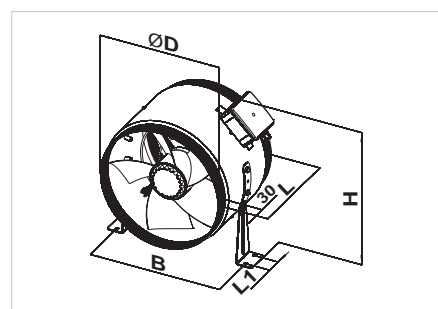
**Technical data**

	<b>OVP 2E 200*</b>	<b>OVP 2E 250*</b>	<b>OVP 4E 250*</b>	<b>OVP 2E 300</b>	<b>OVP 4E 300*</b>	<b>OVP 4E 350</b>
Voltage [V/50 Hz]	1~230	1~230	1~230	1~230	1~230	1~230
Power [W]	55	80	50	145	75	140
Current [A]	0.26	0.4	0.22	0.66	0.35	0.65
Max. air flow [m <sup>3</sup> /h]	860	1050	800	2230	1340	2500
RPM [min <sup>-1</sup> ]	2300	2400	1380	2300	1350	1380
Noise level at 3 m [dBA]	50	60	55	60	58	62
Transported air temperature [°C]	-30...+60	-30...+60	-30...+60	-30...+60	-30...+60	-30...+60
Protection rating	IPX4	IPX4	IPX4	IPX4	IPX4	IPX4

\* Compliant to the ErP-regulation (EC) 327/2011, the power consumption at optimum efficiency is < 125W.

**Fan overall dimensions**

Type	Dimensions [mm]					Mass [kg]
	∅D	∅B	L	H	L1	
OVP 2E 200	199	227	220	300	30	3.5
OVP 2E 250	249	282	250	320	30	4.5
OVP 4E 250	249	282	250	320	30	4.5
OVP 2E 300	299	326	250	390	40	6.3
OVP 4E 300	299	326	250	390	40	6.3
OVP 4E 350	349	378	300	410	40	8.4



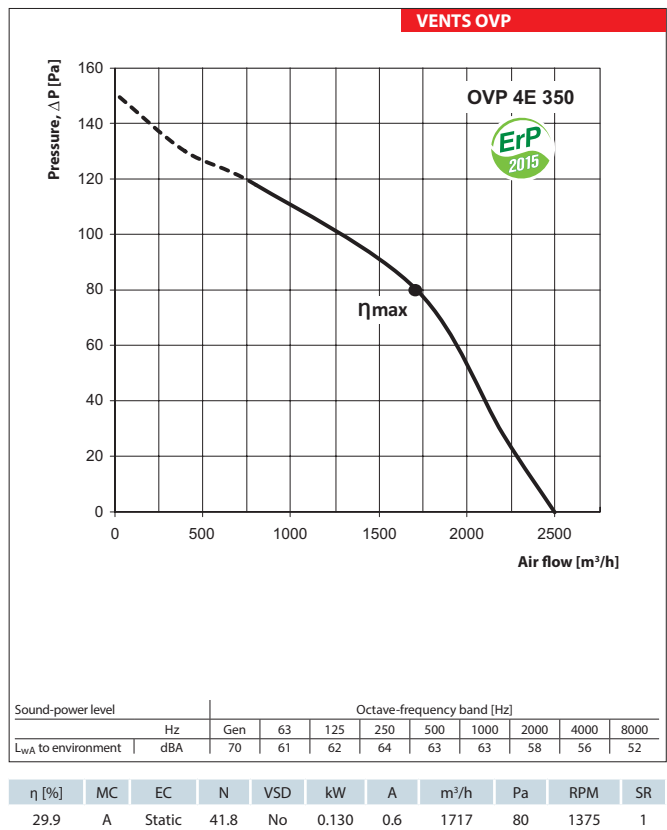
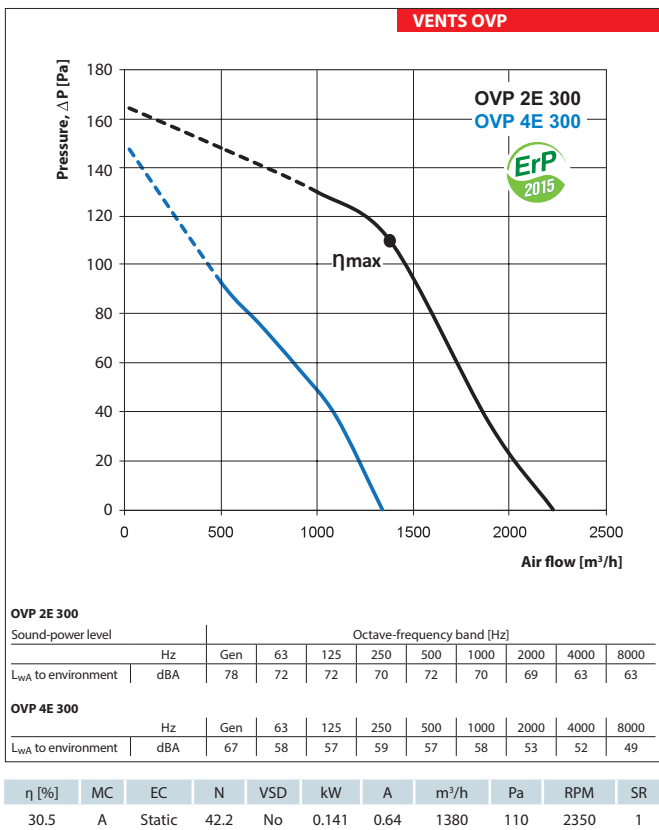
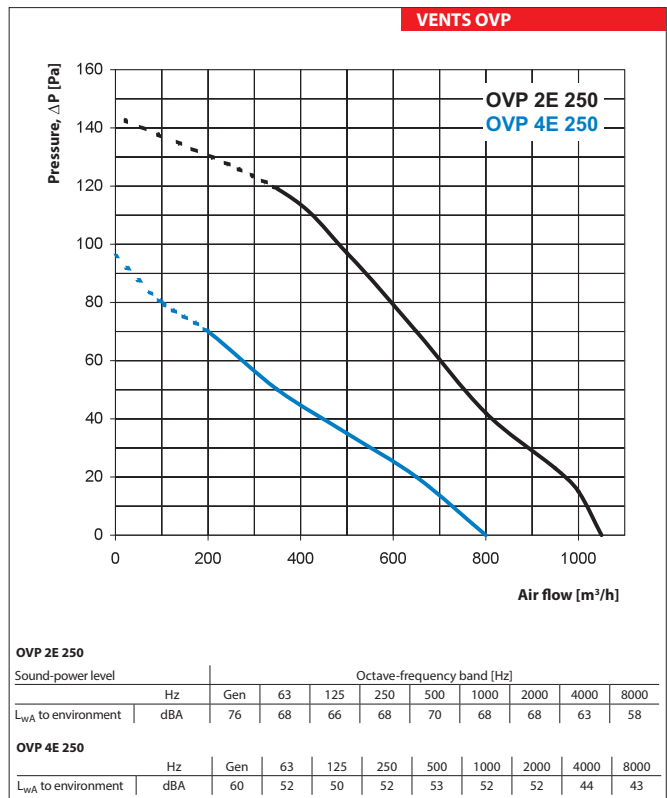
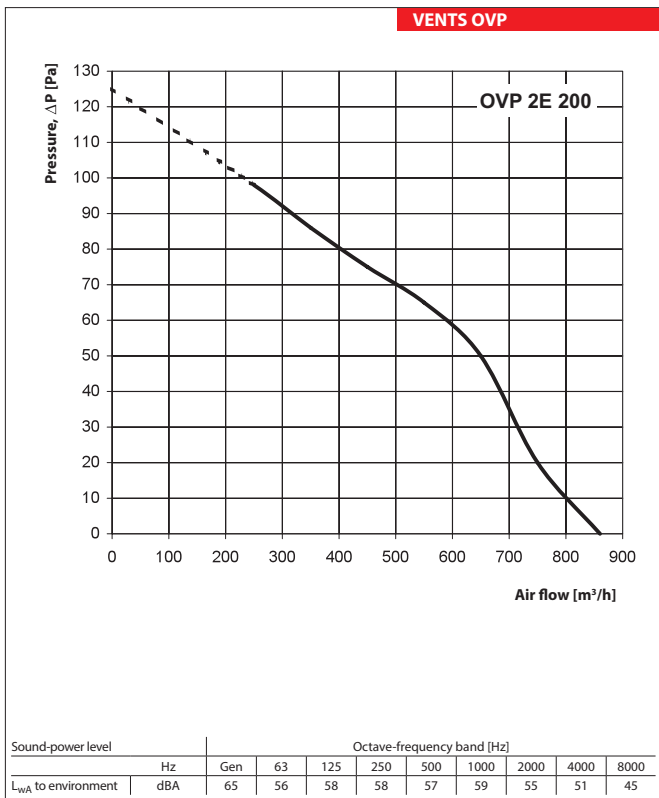
**ErP data**

Overall efficiency	η [%]
Measurement category	MC
Efficiency category	EC
Efficiency grade	N
Variable speed drive	VSD
Power	kW
Current	A
Air flow	m <sup>3</sup> /h
Static pressure	Pa
Speed	n/min <sup>-1</sup>
Specific ratio	SR

**Accessories**



Speed controllers



FAN SERIES VENTS OVP