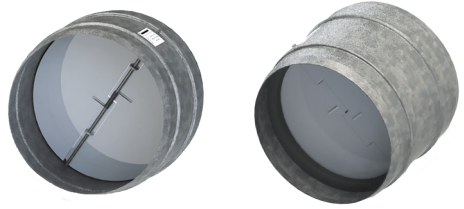


BACKDRAUGHT DAMPER KOM ... U SERIES



INSTALLATION GUIDE

APPLICATION

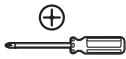
- Shutoff of the air flow in the round air ducts and prevention of the air backdraft during standstill of the ventilation equipment.
- The air blades are opened with the air pressure and are closed with a spring.

DESIGN

- The damper housing is made of galvanized steel.
- The foam rubber sealing on the damper reduces operation noise and provides extra air tightness.
- The two the spring-loaded blades are made of aluminium sheet.

INSTALLATION

TOOLS REQUIRED



Phillips screwdriver



Clamp



Aluminium tape

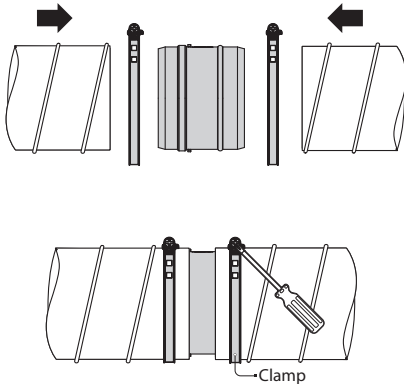
DAMPER POSITIONING IN THE AIR DUCT

Swivel axi of the blade must be positioned vertically.

The air damper must be installed in the ventilation system considering the air flow direction.

MOUNTING WITH CLAMPS

Connect the air damper with flexible air ducts and fix the air ducts to the damper using the clamps.



MOUNTING WITH A MOUNTING TAPE

Connect the air damper with air ducts and fix the connection place using a mounting tape.

