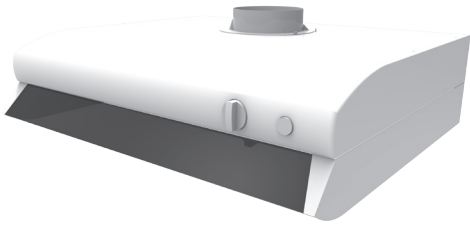


KH-1



■ Application

The kitchen exhaust hood is designed to clean air from combustion products, fumes, odors that form during cooking in the kitchen.

■ Operating logic

When the kitchen hood is turned on, the valve is opened, the signal is sent to the unit and it boosts to the high speed.

■ Design

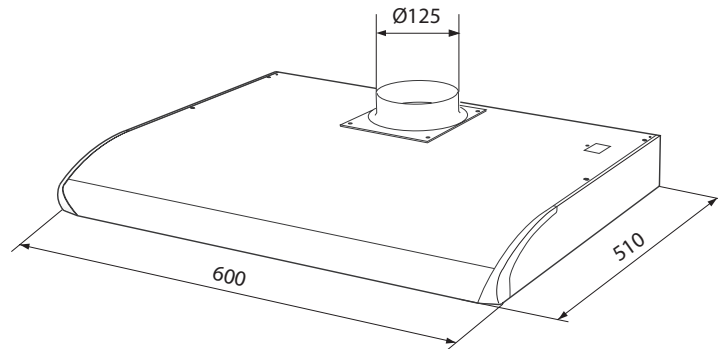
The kitchen exhaust hood is equipped with a lighting and a polyester filter.

■ Installation

The mounting accessories and screws are included with the unit. The kitchen exhaust hood is supplied with a cable and a grounded power connector. Installation is carried out according to the unit manual.

Technical Data

Width, mm	600
Electrical connection, V	230
Lighting, V	11



Application examples

The KH-1 kitchen hood can be connected directly to the VUTR 200 V(E) EC A17/A18 unit.

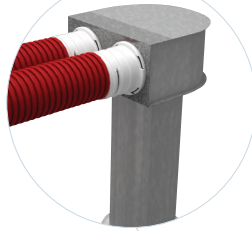


Application options

Ventilation hood



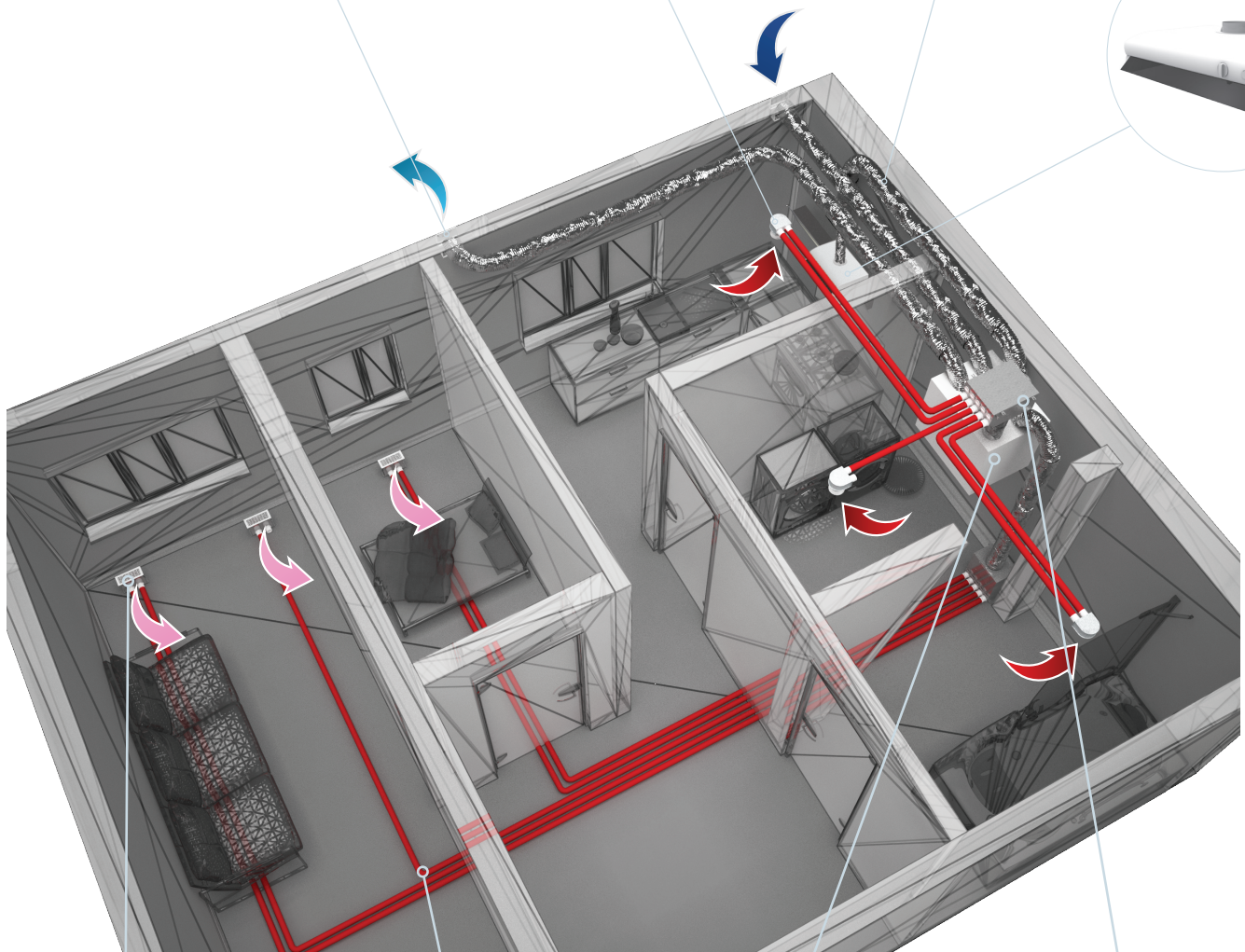
Ceiling plenum with an anemostat



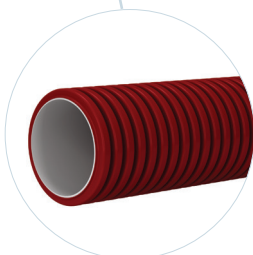
Isovent 150 insulated air duct



KH-1



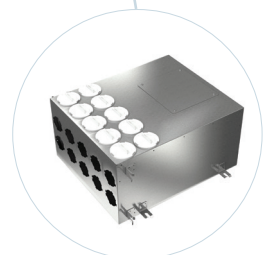
Floor plenum with a grille



FlexiVent air duct



Air handling unit



Collector