

## VENTS Quiet-Disc Series



Intellectual axial low-noise and energy-saving fan for exhaust ventilation with air flow up to 370 m<sup>3</sup>/h

### Application

- Innovative exhaust fan with stylish design for new comfort level in shower rooms, bathrooms, kitchens and other residential premises.
- Maximum air flow combined with low noise level provide the ideal microclimate.
- Mounting into ventilation shafts or connection to Ø 100, 125, 150 mm.

### Design

- Casing and impeller made of high-quality and durable UV-resistant plastic.
- Specially designed impeller aerodynamic profile provides high air flow and low noise.
- The compact design enables wall and ceiling mounting.
- The shortened spigot for mounting into a ventilation shaft or connection to Ø 100, 125, 150 mm air ducts.
- The fan is equipped with a specially designed back valve to prevent back flow and heat losses during the fan standby.
- The fan exhaust spigot incorporates specially designed air rectifiers to reduce air turbulence, increase air pressure and lower noise level.
- High ingress protection rating makes the fan the ideal solution for ventilation of a bathroom. The electronic components are protected with tight covers. The VENTS Quiet-Disc 150 and VENTS Quiet-Disc Extra 150 models are additionally equipped with a special vibration absorbing sealer along the fan countour.

### Motor

- Low energy demand from 7.5 W due to new high-efficient motor.
- Maintenance-free bearings contain enough grease for 40 000 hrs non-stop operation.

### Colour modifications



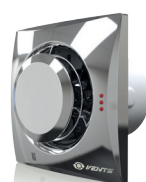
Quiet-Disc 100/125/150  
Red



Quiet-Disc 100/125/150  
Vintage



Quiet-Disc 100/125/150  
Aluminum Lacquer



Quiet-Disc 100/125/150  
Chrome



Quiet-Disc 100/125/150  
Black Sapphire

- Motor on special anti-vibration dampers for vibration absorption and silent operation.
- Motor equipped with overheating protection.
- The VENTS Quiet-Disc 150 is supplied with a two-speed motor. The VENTS Quiet-Disc Extra 150 is supplied with a two-speed high powered motor.

### Modifications and Options



**Quiet-Disc Extra** – high-powered motor.



**Quiet-Disc T** – turn-off delay timer modification with operating time from 2 to 30 min.



**Quiet-Disc TH** – turn-off delay timer modification with operating time from 2 to 30 min and a humidity sensor with threshold from 60 to 90%.



**Quiet-Disc V** – pull-cord switch modification.



**Quiet-Disc VT** – modification with a pull-cord switch and a turn-off delay timer with operating time from 2 to 30 min.



**Quiet-Disc VTH** – modification with a pull-cord switch, a turn-off delay timer with operating time from 2 to 30 min and a humidity sensor with threshold from 60 to 90%.



**Quiet-Disc TP** – modification with a turn-off delay timer with operating time from 2 to 30 min and a motion sensor; reach distance up to 4 m, viewing angle up to 100°.

\* The VENTS Quiet-Disc 150 models with the T/TP/VT/VTH modifications are additionally supplied with a turn-on delay timer adjustable from 0 up to 2 minutes.

### VENTS Quiet-Disc 150 and VENTS Quiet-Disc Extra 150 operation modes

Operation modes of the fans models VENTS Quiet-Disc 150 and VENTS Quiet-Disc Extra 150 with modifications T, TH, VT, VTH, TP are selected by setting the DIP switch into the required position.

#### Mode 1 (single-speed mode)

- The fan is turned off by default. The fan starts operating at the 1st speed when the switch is closed or one of the sensors is activated.

#### Mode 2 (single-speed mode)

- The fan is turned off by default. The fan starts operating at the 2nd speed when the switch is closed or the sensors are activated.

#### Mode 3 (two-speed mode)

- The fan operates at the 1st speed by default. The fan switches to the 2nd speed when the switch is closed or the sensors are activated.

#### Mode 4 (two-speed mode)

- The fan is turned off by default. The fan starts operating at the 1st speed when the switch is closed and switches to the 2nd speed when the humidity sensor is activated.

#### Mode 5 (two-speed mode)

- The fan is turned off by default. The fan starts operating at the 1st speed when the switch is closed or when the humidity sensor is activated. If during the operation at the 1st speed the second even takes place, i.e. the switch is closed or the humidity sensor is activated, the fan switches to the 2nd speed.

### Control

#### Manual control:

- Manual control with a room light switch. The switch is not included in the delivery set.
- The fan is controlled by the built-in pull cord switch **V**. Not applied in case of ceiling mounting.
- Speed control is possible through a thyristor speed controller or through a P2-1-300 speed switch (only for VENTS Quiet-Disc 150 models), see Electrical Accessories. Several fans may be connected to the same controller. Speed controllers can not be connected to the fans with the T, TH, TP, VT, VTH modifications.

#### Automatic control:

- By the electronic control unit **BU-1-60** (see Electrical Accessories). The control unit is supplied separately.
- By the timer **T** (the built-in turn-off delay timer enables the fan operation within 2 to 30 minutes after the fan switching off).
- By the humidity sensor and timer **TH** (if the humidity level in the room exceeds the sensor threshold within 60-90% the fan switches automatically on and operates until the humidity level drops to the standard level, after that the fan continues operating within the set time period and shuts down).
- By the motion sensor and timer **TP** (if motion is detected in the reach area, the fan is switched automatically and operates within the set time period from 2 to 30 min). Reach distance up to 4 m, the max. viewing angle 100°.

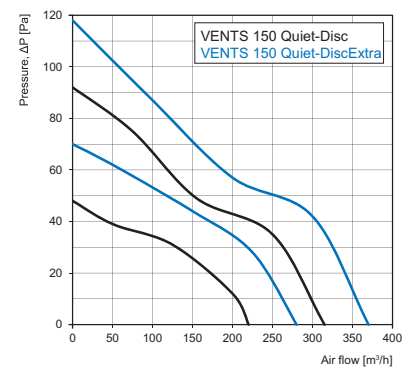
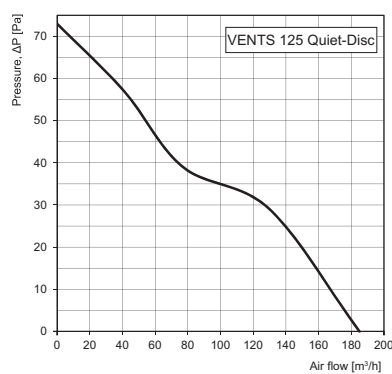
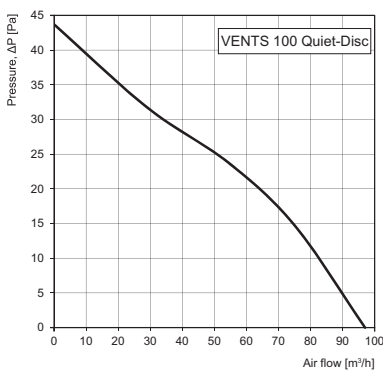
### Mounting features

- Installation directly inside a ventilation shaft.
- Flexible air ducts may be used in case of remote location of the ventilation shaft. Connection of the air duct to the exhaust flange with a clamp.
- Wall mounting with screws.
- Suitable for ceiling mounting.

## Technical data

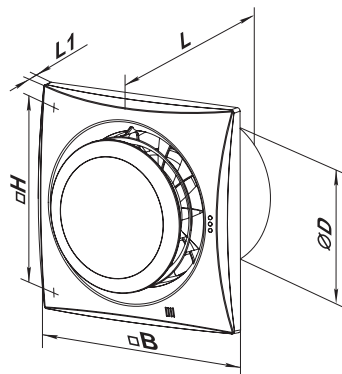
Model	Speed	Frequency [Hz]	Voltage [V]	Power consumption [W]	Current [A]	Maximum air flow [m <sup>3</sup> /h]	Sound pressure level at 3 m [dBA]	Weight [kg]	IP
VENTS Quiet-Disc 100	-	50	230	7.5	0.049	97	25	0.55	IP45
VENTS Quiet-Disc 100 (220-240 V/60 Hz)		60							
VENTS Quiet-Disc 125	-	50	230	17	0.11	185	32	0.78	
VENTS Quiet-Disc 125 (220-240 V/60 Hz)		60							
VENTS Quiet-Disc 150	max.	50/60	230	19	0.09	315	33	1.33	
	min.			17	0.08	220	28		
VENTS Quiet-Disc Extra 150	max.	50/60	230	22	0.1	370	38	1.33	IP45
	min.			19	0.09	280	32		

## Aerodynamic characteristics



## Overall dimensions

Model	Dimensions [mm]				
	Ø D	B	H	L	L1
VENTS Quiet-Disc 100	99	158	136	81	26
VENTS Quiet-Disc 125	123.5	182	158	91	27
VENTS Quiet-Disc 150	147.5	214	190	111	32
VENTS Quiet-Disc Extra 150					



## Certificates



The fans meet the applicable safety and electromagnetic compatibility standards.