

## Series VENTS MF Duo



Two-speed axial low-noise and low energy fans for exhaust ventilation with air flow up to 300 m<sup>3</sup>/h

### Application

- Continuous or periodic exhaust ventilation of bathroom, showers, kitchens, and other residential premises.
- Ventilation of premises with high requirements to noise level.
- Permanent low-speed operation mode ensures continuous air exchange in the room.
- Ventilation shaft mounting or connection to Ø 100, 125 and 150 mm air ducts.

### Design

- The casing and the impeller are made of high-quality durable plastic, UV resistant.
- The aerodynamic design of the impeller ensures high air flow and low noise level.
- The fan is equipped with a specially designed backdraft damper to prevent back flow and heat losses during the fan standby.
- The fan outlet spigot incorporates specially designed air rectifiers to reduce air turbulence, noise level and increase air pressure.

### Motor

- Low energy demand from 5 W due to a new two-speed high-efficient motor.
- Ingress protection rating IP44.
- Designed for continuous operation and requires no maintenance.
- Equipped with overheating protection.

### Modifications and options



**MF L Duo** – the motor is equipped with ball bearings to increase the service life (about 40 thousand operating hours) and fan mounting at any angle. The bearings are maintenance-free and contain enough grease for the entire operating period.



**MF T1 Duo** – equipped with an adjustable high-speed turn-on delay timer (from 0 to 2 minutes) and an adjustable high-speed turn-off delay timer (from 2 to 30 minutes).



**MF TH Duo** – equipped with an adjustable turn-off delay timer (from 2 to 30 minutes) and a fixed turn-on delay timer (45 s) with a humidity sensor adjustable from 60 % to 90 %.

### Control

#### Manual:

- The fan is operated via a light switch (not included in the delivery set).

#### Automatic:

- By the **T1** timer. When the external switch is turned on, the fan switches to a higher speed with a delay of 0 to 2 minutes. When the external switch is turned off, the fan will return to a low speed with a delay of 2 to 30 minutes.
- By the humidity sensor and the **TH** timer. If the humidity level in the room exceeds the sensor threshold (60-90 %), the fan will automatically switch to a higher speed and will continue running until humidity returns to normal levels. Then the fan runs for 5 minutes at a high speed and switches to a low speed. The fan with a timer and TH humidity sensor can also be controlled in manual mode, for example, using the light switch. When the control voltage is applied, the turn-on delay timer is activated for 45 seconds and the fan switches to the second speed. After disconnecting the control voltage, the fan runs for a time set by the turn-off delay timer (from 2 to 30 minutes), and switches to the first speed.

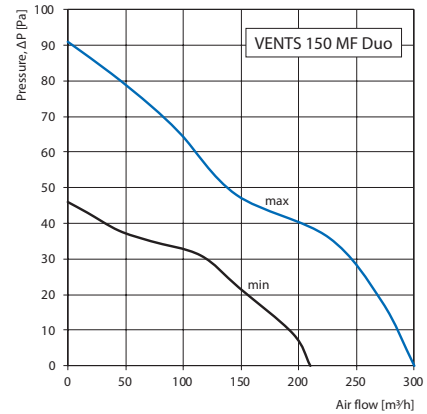
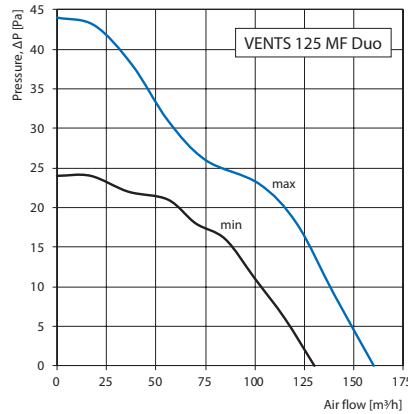
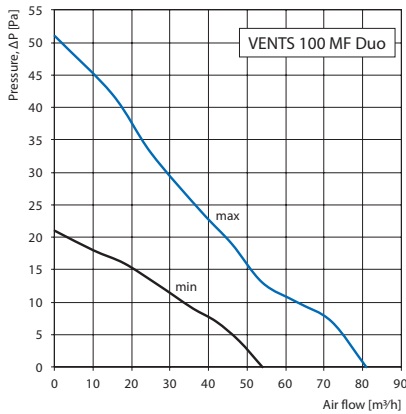
### Mounting features

- The fan is mounted directly into the ventilation shaft.
- Flexible duct connection is recommended in case of the remote ventilation shaft location. The air duct is connected to the fan exhaust flange through a clamp.
- Wall fixing with screws.
- Suitable for ceiling mounting.

### Accessories



### Aerodynamic characteristics

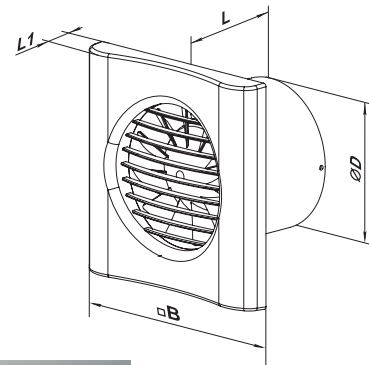


### Technical data

| Model            | Speed | Frequency [Hz] | Voltage [V] | Power [W] | Current [A] | Maximum air flow [m³/h] | RPM [min <sup>-1</sup> ] | Sound pressure level at 3 m distance [dBA] | Weight [kg] | IP Code |
|------------------|-------|----------------|-------------|-----------|-------------|-------------------------|--------------------------|--|-------------|---------|
| VENTS 100 MF Duo | min.  | 50             | 220-240     | 5         | 0.030       | 54                      | 1800                     | 23   | 0.55        | IP44    |
|                  | max.  |                |             | 8         | 0.050       | 81                      | 2100                     | 28   |             |         |
| VENTS 125 MF Duo | min.  | 50             | 220-240     | 10        | 0.068       | 130                     | 1100                     | 29   | 0.78        | IP44    |
|                  | max.  |                |             | 14        | 0.092       | 160                     | 1800                     | 33   |             |         |
| VENTS 150 MF Duo | min.  | 50             | 220-240     | 18        | 0.079       | 210                     | 1520                     | 29   | 0.97        | IP44    |
|                  | max.  |                |             | 21        | 0.085       | 300                     | 2050                     | 35   |             |         |

### Overall dimensions

| Model            | Dimensions [mm] |     |     |    |
|------------------|-----------------|-----|-----|----|
|                  | Ø D             | B   | L   | L1 |
| VENTS 100 MF Duo | 99              | 150 | 79  | 19 |
| VENTS 125 MF Duo | 124             | 180 | 85  | 21 |
| VENTS 150 MF Duo | 148             | 205 | 112 | 23 |



### Application example



### Certificates



The fans meet the applicable safety and electromagnetic compatibility standards.