

KRD



Pressure control valve
(excessive pressure release)


CONTENTS

Safety requirements..... 2
 Purpose..... 3
 Delivery set..... 3
 Designation key..... 3
 Technical data..... 4
 Design and operating principle 5
 Mounting and set-up..... 5
 Technical maintenance..... 5
 Storage and transportation regulations..... 5
 Manufacturer’s warranty 6
 Certificate of acceptance..... 7
 Seller information..... 7
 Installation certificate..... 7
 Warranty card..... 7

This user’s manual is a main operating document intended for technical, maintenance, and operating staff. The manual contains information about purpose, technical details, operating principle, design, and installation of the KRD unit and all its modifications. Technical and maintenance staff must have theoretical and practical training in the field of ventilation systems and should be able to work in accordance with workplace safety rules as well as construction norms and standards applicable in the territory of the country.

SAFETY REQUIREMENTS

Install and operate the valve in accordance with the requirements of the user manual. Only persons who have studied the device and have been instructed in safety regulations are allowed to install and operate the valve.



THE PRODUCT MUST BE DISPOSED SEPARATELY AT THE END OF ITS SERVICE LIFE.

DO NOT DISPOSE THE UNIT AS UNSORTED DOMESTIC WASTE

PURPOSE

The valves are designed for use in pressure differential systems.

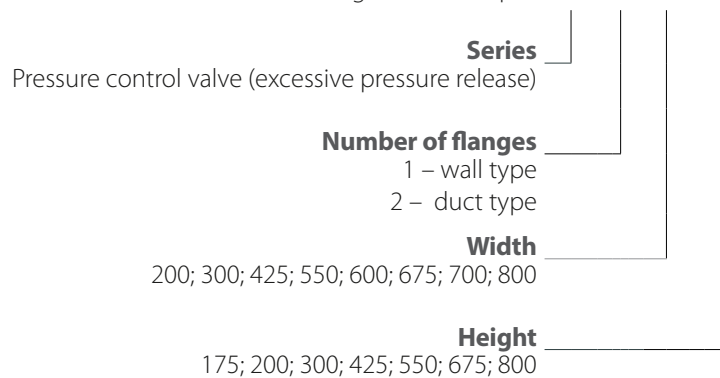
The valve can be used in smoke protection systems in various purpose buildings and structures for equalizing the pressure of floor corridors, halls, vestibules, etc.

DELIVERY SET

NAME	NUMBER
Valve	1 pc.
User's manual	1 pc.
Packing box	1 pc.

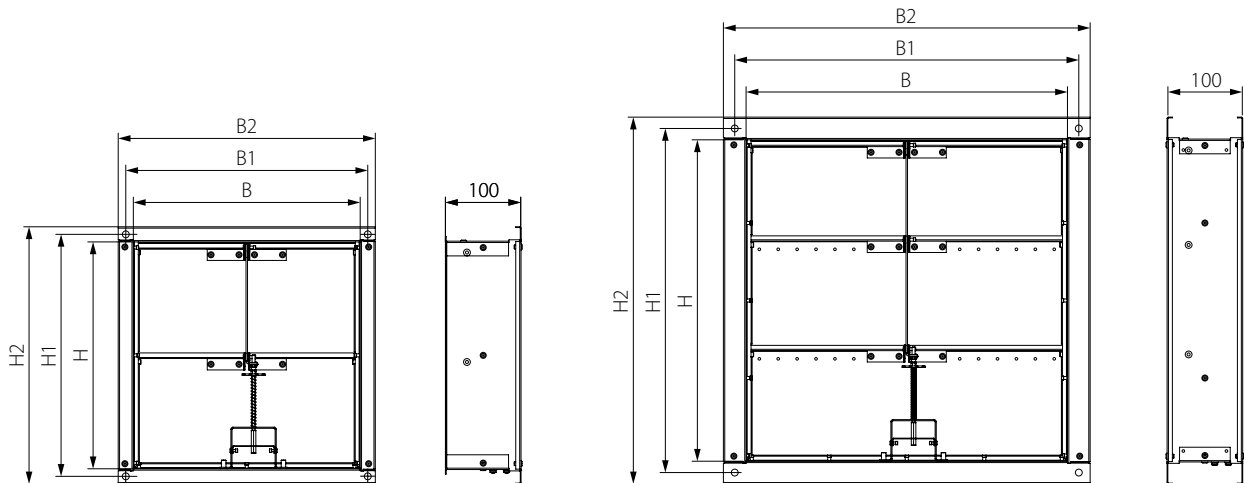
DESIGNATION KEY

Designation example: **KRD-2-300x200**



TECHNICAL DATA

Pressure control range [Pa]	20-150
Minimum air flow rate [m/s]	not less than 2
Leakage level class	0 (no requirement)
Operating temperature [°C]	up -5 to +40



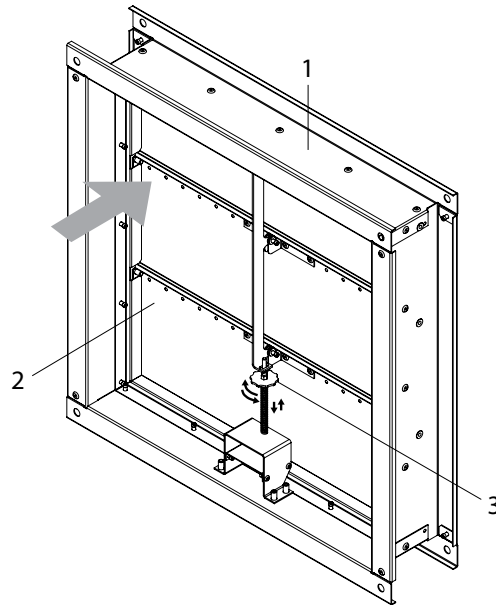
One flange model	Two flange model	Dimensions [mm]					
		B	B1	B2	H	H1	H2
KRD-1-300x175	KRD-2-300x175	300	320	340	175	195	215
KRD-1-600x175	KRD-2-600x175	600	620	640			
KRD-1-200x300	KRD-2-200x300	200	220	240	300	320	340
KRD-1-300x300	KRD-2-300x300	300	320	340			
KRD-1-700x300	KRD-2-700x300	700	720	740			
KRD-1-425x425	KRD-2-425x425	425	445	465	425	445	465
KRD-1-550x550	KRD-2-550x550	550	580	610	550	580	610
KRD-1-675x675	KRD-2-675x675	675	705	735	675	705	735
KRD-1-800x800	KRD-2-800x800	800	830	860	800	830	860
KRD-1-800x650	KRD-2-800x650	800	830	860	650	680	710

Valves with dimensions that are not included in the table can be manufactured on request.

DESIGN AND OPERATING PRINCIPLE

The valve consists of a rectangular galvanized steel mounting casing (1). Inside the casing there is one or more flaps (2) of rotary type, a spring mechanism (3) for adjusting the valve opening start.

The return of the flaps to the closed position when the pressure drops is configured on the valve directly during the smoke protection system tests by adjusting the spring mechanism.



MOUNTING AND SET-UP

The valve must always be installed in a vertical position in the horizontal direction of the air flow.

Perform visual inspection of the valve prior to installing it.

Repair any damage or dents caused by improper transportation or storage.

Wall type valves with one flange are installed in outer walls of buildings.

Duct type valves with two flanges are installed in ventilation ducts that go outdoors.

The valves should be configured to the required working pressure after their installation during the adjustment (commissioning) of the pressure generation ventilation system.

The pressure drop at the closed air lock doors, as well as the return of the dampers to the closed position when the pressure drops, are configured on the valve directly during smoke protection system testing by adjusting the springs.

TECHNICAL MAINTENANCE

Maintenance of the valve involves monitoring its performance: free (without jamming) rotation of the flaps; reliability of mounting.

The valve maintenance intervals should correspond to the established maintenance periods for the fire protection equipment complex of the operated facility.

The fusible link triggering mechanism is restored by replacing the fusible link (in the absence of fire impact).

STORAGE AND TRANSPORTATION REGULATIONS

- Use suitable hoist machinery for handling and storage operations to prevent possible damage to the unit.
- Follow the handling requirements applicable for the particular type of cargo.
- The unit can be carried in the original packaging by any mode of transport provided proper protection against precipitation and mechanical damage. Avoid sharp blows, scratches, or rough handling during loading and unloading.

MANUFACTURER'S WARRANTY

The product is in compliance with EU norms and standards on low voltage guidelines and electromagnetic compatibility. We hereby declare that the product complies with the provisions of Electromagnetic Compatibility (EMC) Directive 2014/30/EU of the European Parliament and of the Council, Low Voltage Directive (LVD) 2014/35/EU of the European Parliament and of the Council and CE-marking Council Directive 93/68/EEC. This certificate is issued following test carried out on samples of the product referred to above.

The manufacturer hereby warrants normal operation of the unit for 24 months after the retail sale date provided the user's observance of the transportation, storage, installation, and operation regulations. Should any malfunctions occur in the course of the unit operation through the Manufacturer's fault during the guaranteed period of operation, the user is entitled to get all the faults eliminated by the manufacturer by means of warranty repair at the factory free of charge. The warranty repair includes work specific to elimination of faults in the unit operation to ensure its intended use by the user within the guaranteed period of operation. The faults are eliminated by means of replacement or repair of the unit components or a specific part of such unit component.

The warranty repair does not include:

- routine technical maintenance
- unit installation/dismantling
- unit setup

To benefit from warranty repair, the user must provide the unit, the user's manual with the purchase date stamp, and the payment paperwork certifying the purchase. The unit model must comply with the one stated in the user's manual. Contact the Seller for warranty service.

The manufacturer's warranty does not apply to the following cases:

- User's failure to submit the unit with the entire delivery package as stated in the user's manual including submission with missing component parts previously dismantled by the user.
- Mismatch of the unit model and the brand name with the information stated on the unit packaging and in the user's manual.
- User's failure to ensure timely technical maintenance of the unit.
- External damage to the unit casing (excluding external modifications as required for installation) and internal components caused by the user.
- Redesign or engineering changes to the unit.
- Replacement and use of any assemblies, parts and components not approved by the manufacturer.
- Unit misuse.
- Violation of the unit installation regulations by the user.
- Violation of the unit control regulations by the user.
- Unit connection to power mains with a voltage different from the one stated in the user's manual.
- Unit breakdown due to voltage surges in power mains.
- Discretionary repair of the unit by the user.
- Unit repair by any persons without the manufacturer's authorization.
- Expiration of the unit warranty period.
- Violation of the unit transportation regulations by the user.
- Violation of the unit storage regulations by the user.
- Wrongful actions against the unit committed by third parties.
- Unit breakdown due to circumstances of insuperable force (fire, flood, earthquake, war, hostilities of any kind, blockades).
- Missing seals if provided by the user's manual.
- Failure to submit the user's manual with the unit purchase date stamp.
- Missing payment paperwork certifying the unit purchase.



FOLLOWING THE REGULATIONS STIPULATED HEREIN WILL ENSURE A LONG AND TROUBLE-FREE OPERATION OF THE UNIT



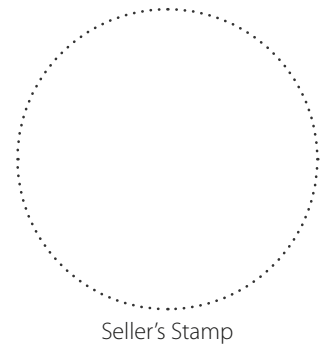
USER'S WARRANTY CLAIMS SHALL BE SUBJECT TO REVIEW ONLY UPON PRESENTATION OF THE UNIT, THE PAYMENT DOCUMENT AND THE USER'S MANUAL WITH THE PURCHASE DATE STAMP

CERTIFICATE OF ACCEPTANCE

Unit Type	Pressure control valve
Model	
Serial Number	
Manufacture Date	
Quality Inspector's Stamp	

SELLER INFORMATION

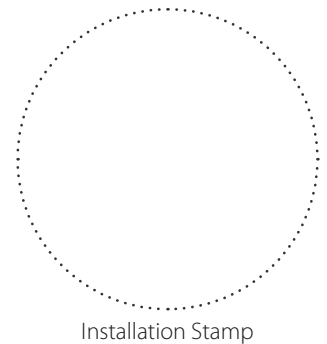
Seller	
Address	
Phone Number	
E-mail	
Purchase Date	
This is to certify acceptance of the complete unit delivery with the user's manual. The warranty terms are acknowledged and accepted.	
Customer's Signature	



INSTALLATION CERTIFICATE

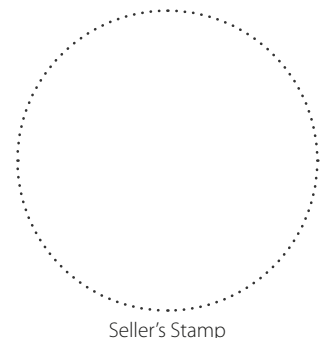
The _____ unit is installed pursuant to the requirements stated in the present user's manual.

Company name	
Address	
Phone Number	
Installation Technician's Full Name	
Installation Date:	Signature:
The unit has been installed in accordance with the provisions of all the applicable local and national construction, electrical and technical codes and standards. The unit operates normally as intended by the manufacturer.	
Signature:	



WARRANTY CARD

Unit Type	Pressure control valve
Model	
Serial Number	
Manufacture Date	
Purchase Date	
Warranty Period	
Seller	





VENTS

