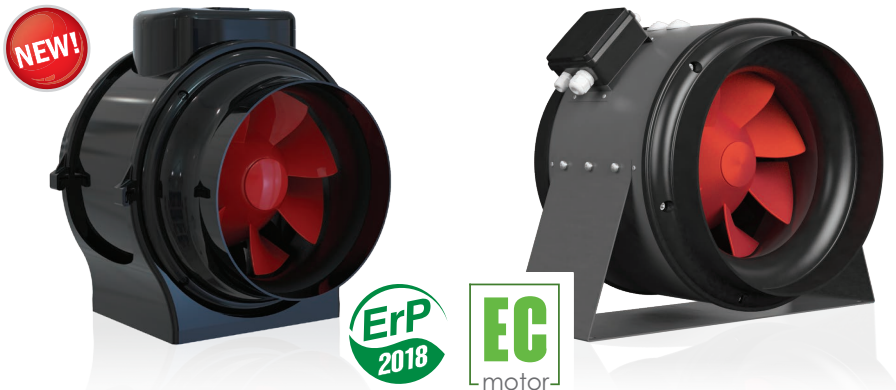


Series
VENTS Boost 150-250 EC

Series
VENTS Boost 315-400 EC



Inline fans in a polymer casing with the air flow of up to **5700 m³/h**

Application

Inline fans for supply and extract ventilation of various commercial and industrial premises requiring powerful air flow. The fans are compatible with Ø 150, 200, 250, 315, 355 and 400 mm air ducts.

Design

The casing is made of polymer (for models 315, 355 and 400, the casing is additionally reinforced with a metal housing). Due to the conically-shaped polymer impeller with specially profiled blades the air stream circular velocity increases, which results in higher air

flow and pressure as compared to characteristics of standard axial fans.

The specially designed diffuser, impeller and airflow rectifier at the fan outlet provide smooth air flow distribution and enable the best combination of high air flow, increased pressure and low noise. The fan casing is equipped with an airtight terminal box for connection to power mains.

Motor

The units are equipped with highly efficient electronically commutated DC motors.

These state-of-the-art motors are the most advanced solution in energy efficiency today. EC motors are characterised with high performance and optimum control across the entire speed range. In addition to that, the efficiency of the electronically commutated motor reaches very impressive levels of up to 90 %.

Speed control

The fan is controlled using a 0-10 V control signal. When the control signal value changes, the EC fan changes its rotation speed and provides air flow required for the ventilation system. Several fans can be integrated into a single computer-driven control system. Custom designed software provides high accuracy control of the fans integrated into a network. The computer display shows all the system parameters and the operation mode can be set individually for each fan in the network.

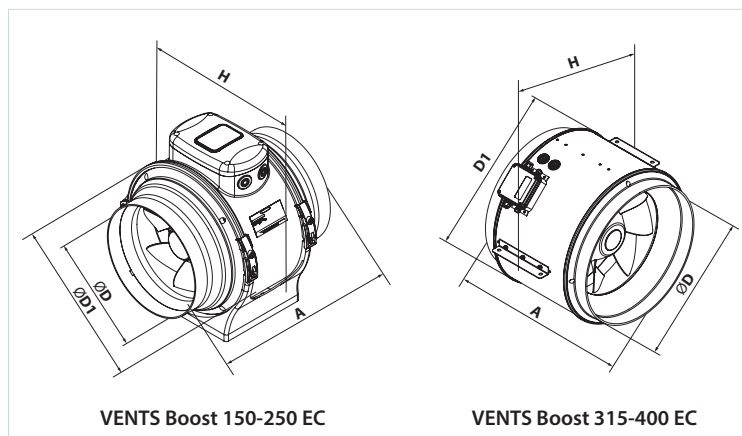
Mounting

The fans can be mounted at any place and at any angle within the ductwork system. Several fans can be installed in one system in parallel to attain higher air flow or in series to increase operating pressure in the system. The fan casing is equipped with fixing brackets for floor, wall or ceiling mounting.

The fans can be mounted using KM-Boost brackets of the appropriate size (purchased separately, available for 315, 355 and 400 models).

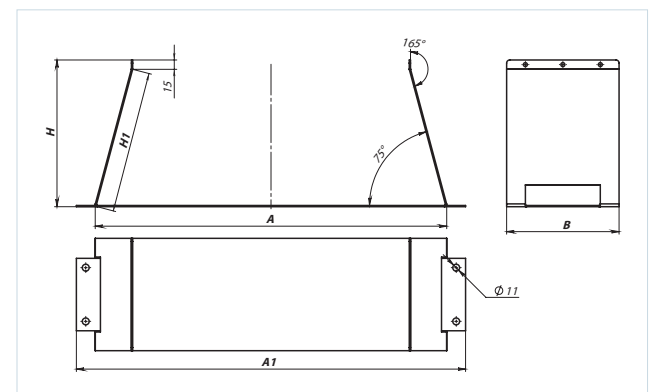
Overall dimensions

Model	Dimensions [mm]			
	A	Ø D	D1	H
Boost 150 EC	301	149	247	267
Boost 200 EC	302	199	293	308
Boost 250 EC	293	249	327	342
Boost 315 EC S	388	313	390	450
Boost 355 EC Boost 355 EC S	388	350	390	450
Boost 400 EC	388	395	441	500



Overall dimensions of brackets

Model	Dimensions [mm]				
	A	A1	H	H1	B
KM-Boost 355	506	567	213	204	180
KM-Boost 400	563	624	235	228	180

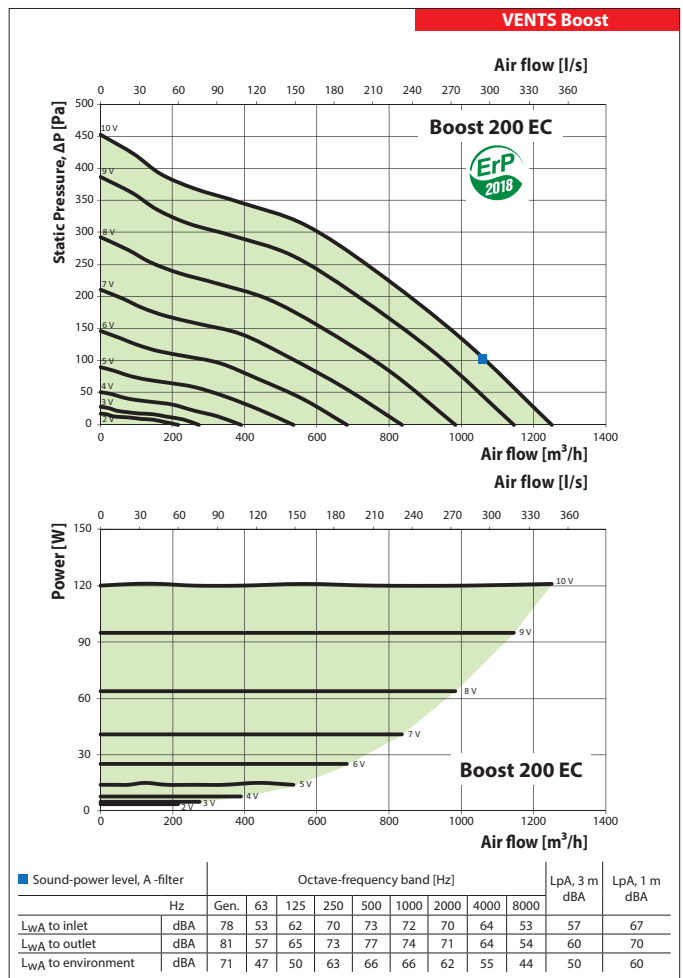
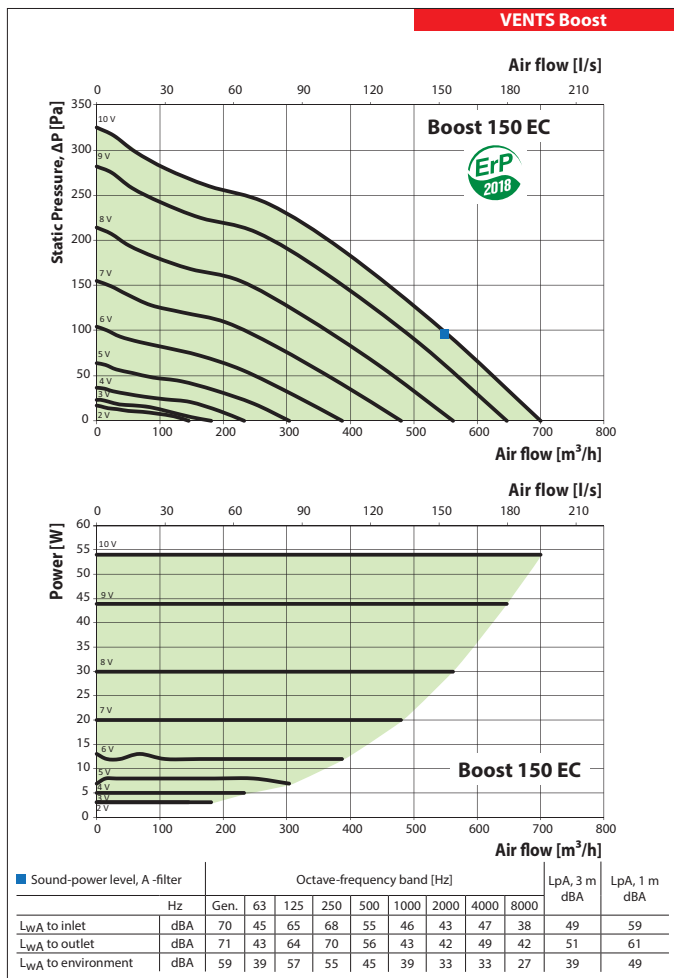


Technical data

Coming soon

	Boost 150 EC	Boost 200 EC
Voltage [V]	1~220-240	1~220-240
Frequency [Hz]	50/60	50/60
Power [W]	54	121
Current [A]	0.48	0.96
Maximum air flow [m³/h]	700	1250
Maximum air flow [l/s]	194	347
RPM [min ⁻¹]	3700	3110
Sound pressure level at 3 m distance [dBA]	39	50
Maximum transported air temperature [°C]	-25...+55	-25...+55
Protection rating	IPX4	IPX4
Motor protection rating	IP44	IP44

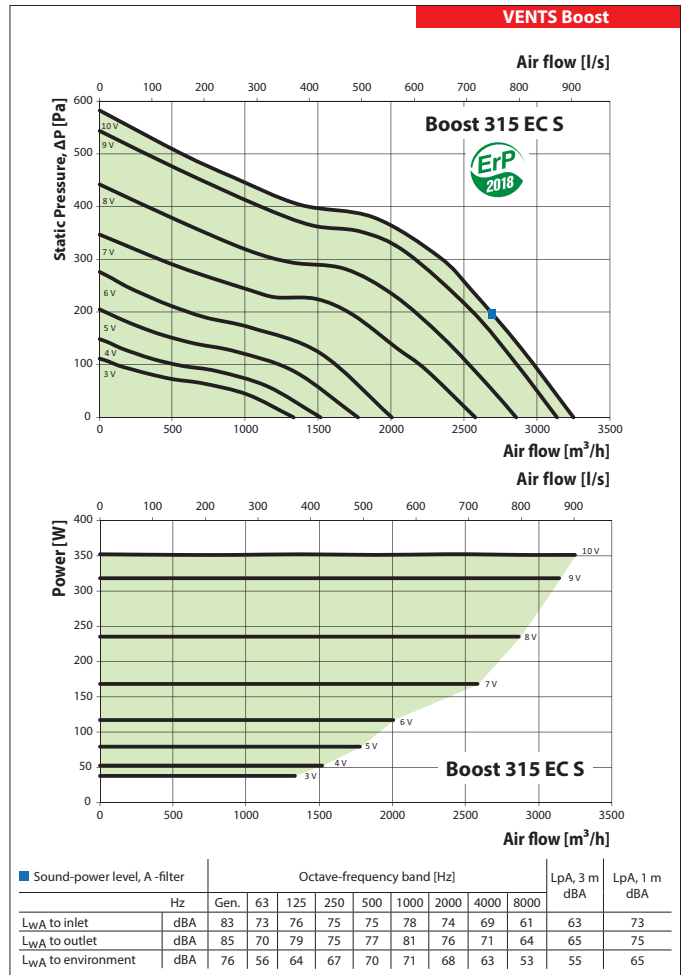
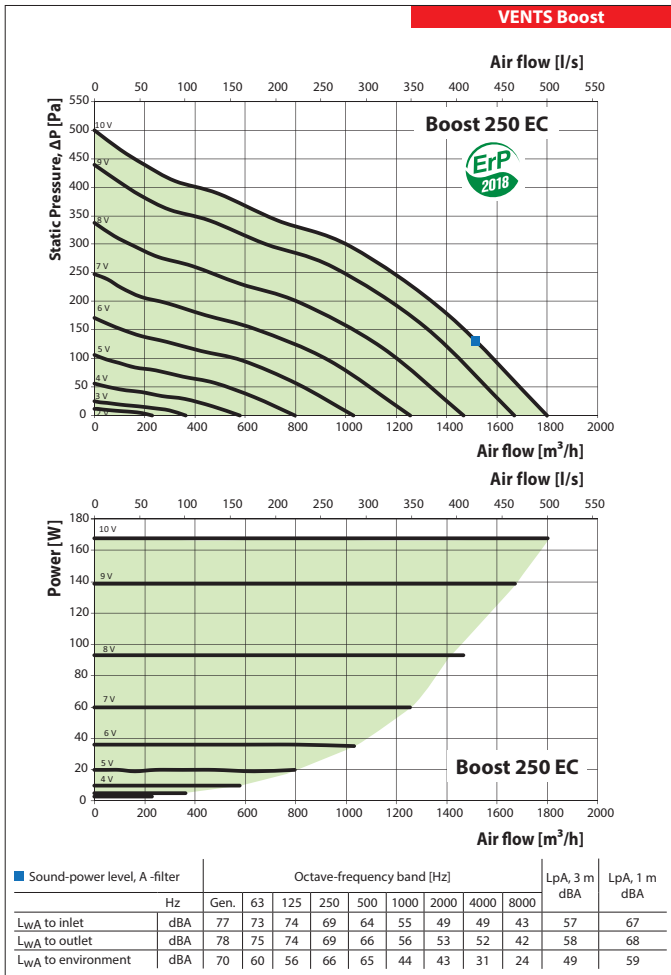
VENTS Boost EC
FAN SERIES



Technical data

Coming soon

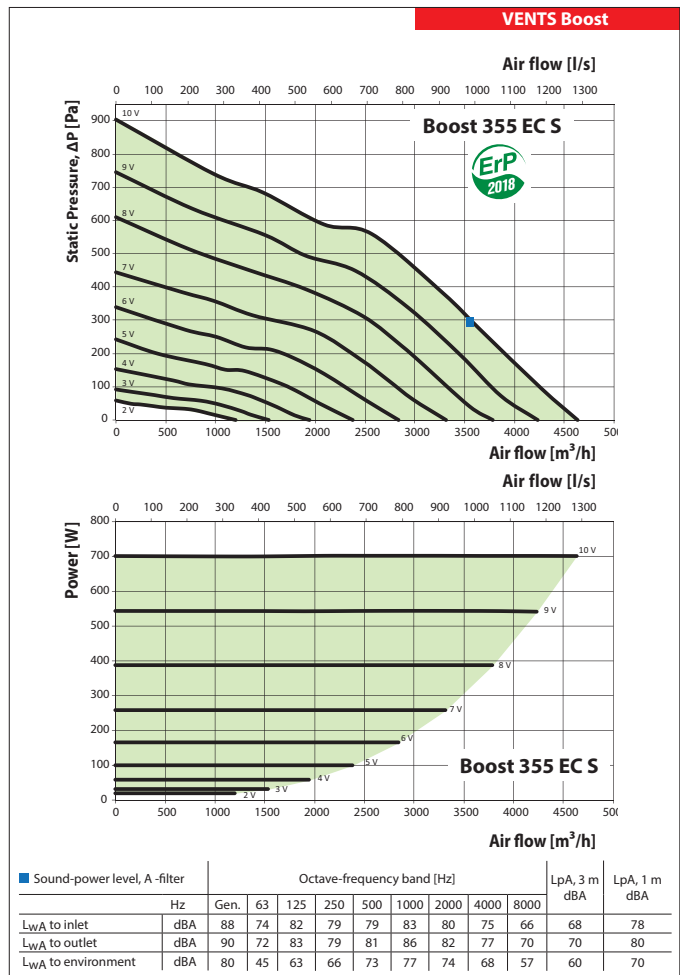
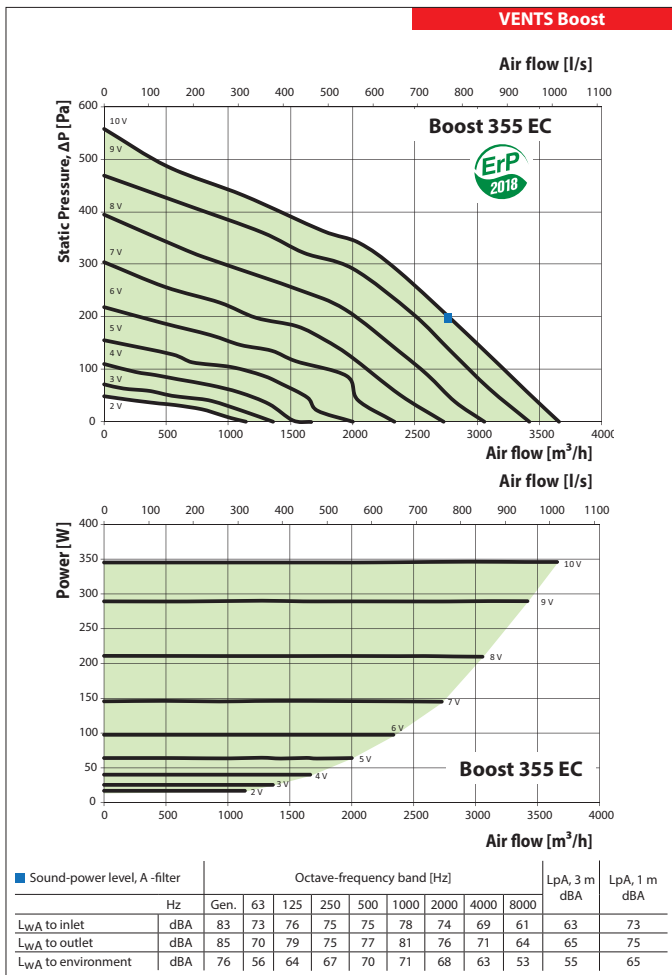
	Boost 250 EC	Boost 315 EC S
Voltage [V]	1~220-240	1~220-240
Frequency [Hz]	50/60	50
Power [W]	168	353
Current [A]	1.34	1.56
Maximum air flow [m³/h]	1800	3250
Maximum air flow [l/s]	500	903
RPM [min ⁻¹]	3282	2424
Sound pressure level at 3 m distance [dBA]	49	55
Maximum transported air temperature [°C]	-25...+55	-25...+55
Protection rating	IPX4	IPX4
Motor protection rating	IP44	IP44



Technical data

	Boost 355 EC	Boost 355 EC S
Voltage [V]	1~230	1~230
Frequency [Hz]	50	50
Power [W]	353	701
Current [A]	1.56	3.10
Maximum air flow [m ³ /h]	3685	4630
Maximum air flow [l/s]	1024	1286
RPM [min ⁻¹]	2470	3175
Sound pressure level at 3 m distance [dBA]	55	60
Maximum transported air temperature [°C]	-25...+55	-25...+55
Protection rating	IPX4	IPX4
Motor protection rating	IP44	IP44

VENTS
FAN SERIES
BoostEC



Technical data

Boost 400 EC	
Voltage [V]	1~230
Frequency [Hz]	50
Power [W]	726
Current [A]	4.8
Maximum air flow [m³/h]	5700
Maximum air flow [l/s]	1583
RPM [min⁻¹]	2580
Sound pressure level at 3 m distance [dBA]	60
Maximum transported air temperature [°C]	-25...+55
Protection rating	IPX4
Motor protection rating	IP44

