

Series

VENTS Boost 150-250



Series

VENTS Boost 355-400



Inline fans in a polymer casing with the air flow of up to **3390 m³/h**

Application

The units are intended for supply, exhaust and supply and exhaust ventilation systems requiring a powerful air flow: commercial, office and other public or industrial premises as well as rooms with high humidity. The fans are compatible with Ø 150, 160, 200, 250, 355 and 400 mm air ducts.

Design

The casing is made of polymer (for models 355 and 400, the casing is additionally reinforced with a metal

housing). Due to the conically-shaped polymer impeller with specially profiled blades the air stream circular velocity increases, which results in higher air flow and pressure as compared to characteristics of standard axial fans.

The specially designed diffuser, impeller and airflow rectifier at the fan outlet provide smooth air flow distribution and enable the best combination of high air flow, increased pressure and low noise. The fan casing is equipped with an airtight terminal box for connection to power mains.

Motor

The VENTS Boost fans are equipped with single-phase high-efficiency three-speed asynchronous motors with low power consumption.

The motor is equipped with thermal switches for overheating protection.

The ball bearings ensure a long service life (about 40 000 hours of continuous operation). The motor ingress protection rating is IPX4.

Speed control

The three-speed motor can be controlled using a built-in switch (option V) or an external switch P3-5.0 (purchased separately).

Mounting

The fans can be mounted at any place and at any angle within the ductwork system. Several fans can be installed in one system in parallel to attain higher air flow or in series to increase operating pressure in the system. The fan casing is equipped with fixing brackets for floor, wall or ceiling mounting.

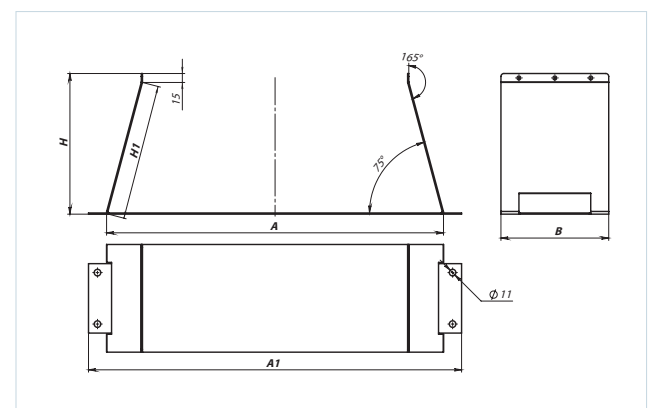
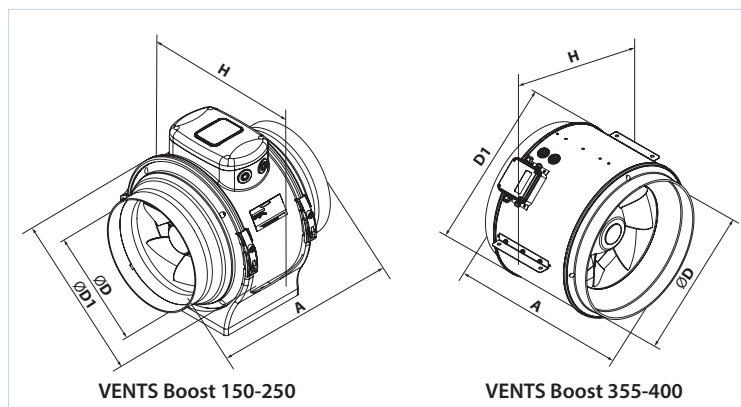
The fans can be mounted using KM-Boost brackets of the appropriate size (purchased separately, available for 355 and 400 models).

Overall dimensions

Model	Dimensions [mm]			
	A	Ø D	D1	H
Boost 150	301	149	247	267
Boost 200	302	199	293	308
Boost 250	293	249	327	342
Boost 355	388	350	390	450
Boost 400	388	395	441	500

Overall dimensions of brackets

Model	Dimensions [mm]				
	A	A1	H	H1	B
KM-Boost 355	506	567	213	204	180
KM-Boost 400	563	624	235	228	180



Designation key

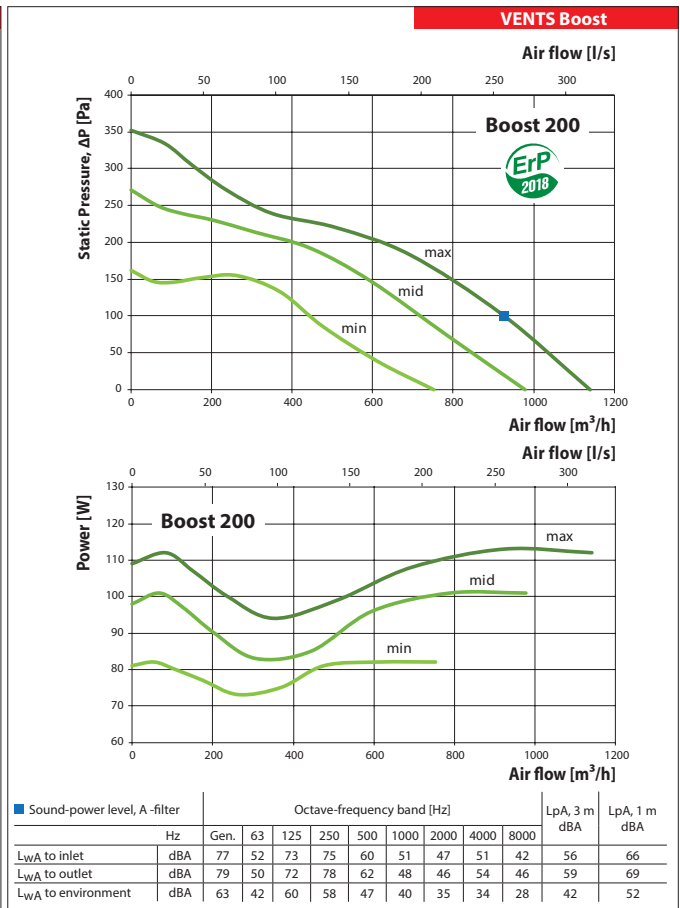
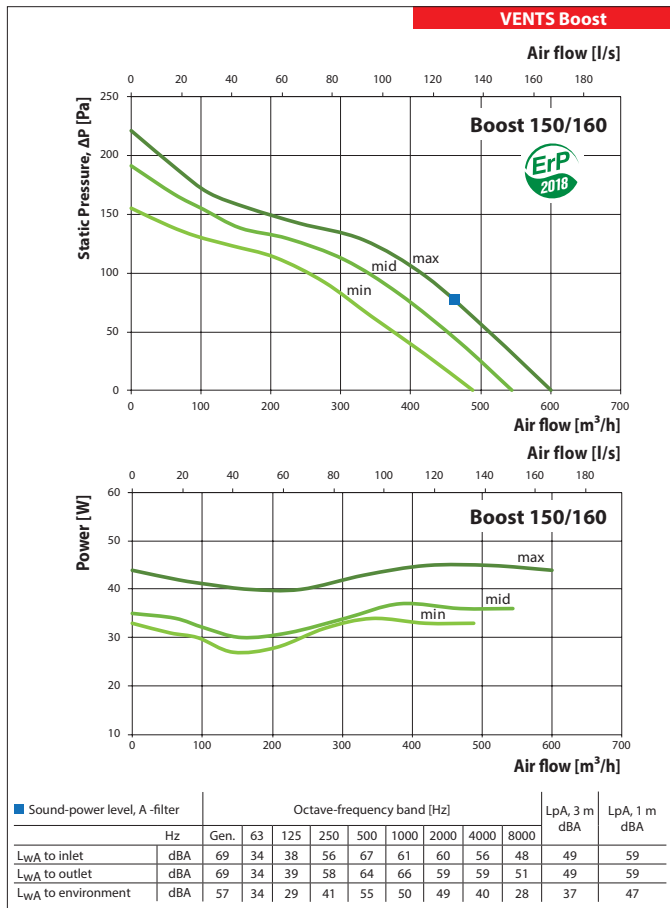
Series	Duct diameter	Options
VENTS Boost	150; 160; 200; 250; 355; 400	<p>Un: speed controller with an electronic thermostat and external temperature sensor fixed.</p> <p>R: power cord with a mains plug.</p> <p>V: step speed controller.</p> <p>P: built-in smooth speed controller.</p>

Technical data

Coming soon

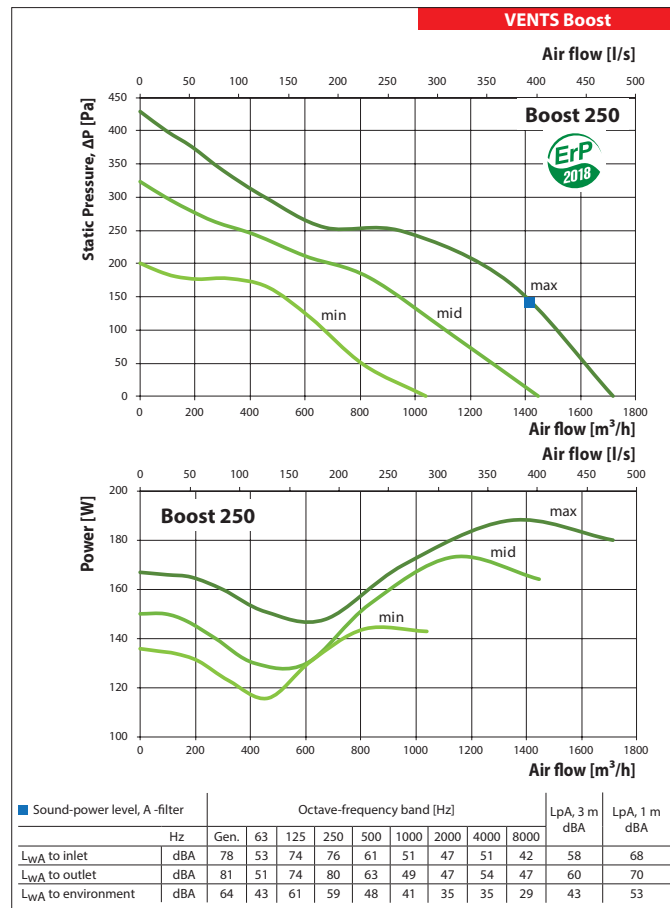
	Boost 150/160			Boost 200		
	Min	Mid	Max	Min	Mid	Max
Speed						
Voltage [V]	1~230					
Frequency [Hz]	50					
Power [W]	34	37	45	82	101	113
Current [A]	0.15	0.16	0.20	0.37	0.45	0.51
Max. airflow [m ³ /h]	488	544	600	752	978	1140
Max. airflow [l/s]	136	151	167	209	272	317
RPM [min ⁻¹]	2550	2704	2816	1866	2400	2738
Sound pressure level at 3 m distance [dBA]	34	35	37	37	40	42
Maximum transported air temperature [°C]	-25...+55					
Protection rating	IPX4					
Motor protection rating	IP20					

FAN SERIES VENTS Boost



Technical data

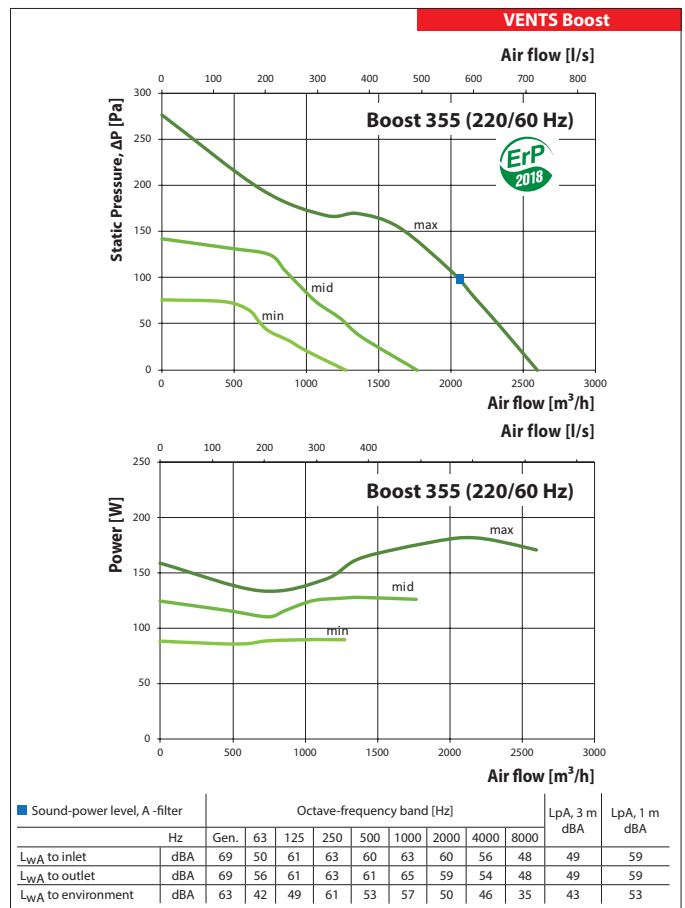
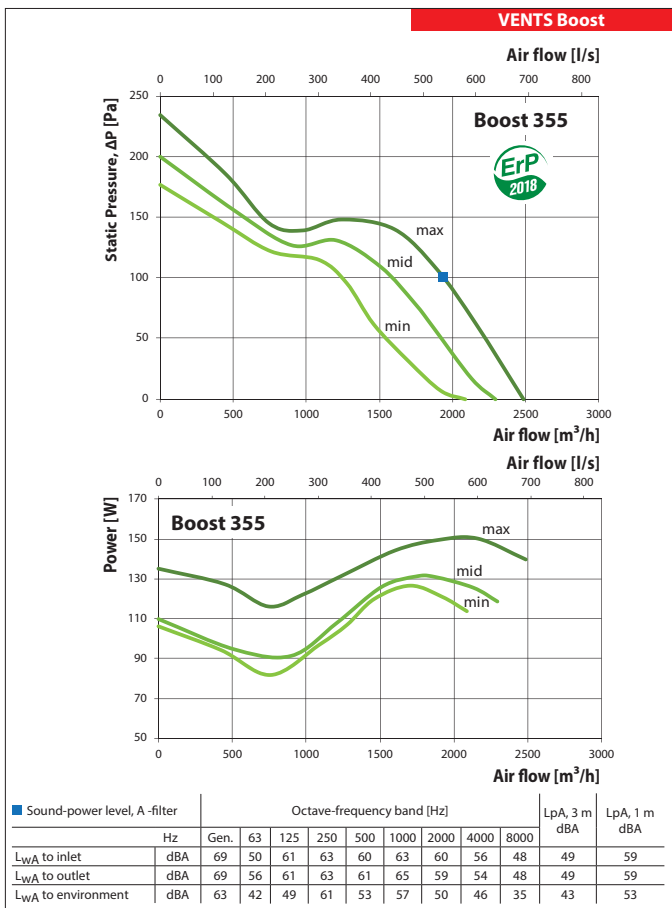
	Boost 250		
	Min	Mid	Max
Speed			
Voltage [V]	1~230		
Frequency [Hz]	50		
Power [W]	144	173	188
Current [A]	0.70	0.81	0.84
Max. airflow [m ³ /h]	1038	1447	1715
Max. airflow [l/s]	288	402	476
RPM [min ⁻¹]	2292	2626	2876
Sound pressure level at 3 m distance [dBA]	39	41	43
Maximum transported air temperature [°C]	-25...+55		
Protection rating	IPX4		
Motor protection rating	IP20		



Technical data

	Boost 355			Boost 355 (220/60 Hz)		
	Min	Mid	Max	Min	Mid	Max
Speed						
Voltage [V]	1~230					
Frequency [Hz]	50			60		
Power [W]	126	131	150	90	128	182
Current [A]	0.60	0.58	0.66	0.43	0.60	0.85
Max. airflow [m ³ /h]	2090	2296	2485	1277	1771	2600
Max. airflow [l/s]	581	638	690	355	492	722
RPM [min ⁻¹]	1350	1400	1470	996	1360	1632
Sound pressure level at 3 m distance [dBA]	38	38	43	37	38	43
Maximum transported air temperature [°C]	-25...+55					
Protection rating	IPX4					
Motor protection rating	IP20					

FAN SERIES VENTS Boost



FANS FOR ROUND DUCTS

Technical data

	Boost 400			Boost 400 (220/60 Hz)		
Speed	Min	Mid	Max	Min	Mid	Max
Voltage [V]	1~230					
Frequency [Hz]	50			60		
Power [W]	197	204	224	146	208	300
Current [A]	0.91	0.90	0.98	0.73	1.00	1.40
Max. airflow [m ³ /h]	2677	3136	3350	1846	2401	3390
Max. airflow [l/s]	744	871	931	513	667	942
RPM [min ⁻¹]	1320	1390	1446	1000	1320	1566
Sound pressure level at 3 m distance [dBA]	40	42	43	38	42	43
Maximum transported air temperature [°C]	-25...+55					
Protection rating	IPX4					
Motor protection rating	IP20					

