

CEILING BATHROOM FANS

CBF series



*Fresh air in
your house!*



VENTS CBF LP



VENTS CBF LP Light



VENTS
ventilation-systems.com



MEMBER



Intertek



VENTS CBF LP series



- Two-speed AC motor with overheating protection.
- Low noise level.
- Modular design enables easy connection of a humidity or motion sensor.

VENTS CBF LP Light series



- Two-speed AC motor with overheating protection.
- Low noise level.
- Modular design enables easy connection of a humidity or motion sensor.
- Integrated LED-light with low energy demand.

Application

- Continuous or periodic exhaust ventilation of bathrooms, showers, and other utility spaces.
- Designed for high-resistant ductworks.
- Ingress protection rating: IPX4.
- Compatible with Ø 100 mm air ducts.

Motor

- The CBF LP fan features a reliable asynchronous two-speed motor with overheating protection.
- Maintenance-free bearings contain enough grease for 40 000 hrs of continuous operation.

Design

- The casing is made of galvanized steel.
- The modular design enables easy retrofitting with the optional humidity and motion sensors (except for the basic model) or the grille with a light.
- The centrifugal impeller is equipped with forward curved blades for high operating pressure and low noise.
- The impeller of the motor is made of high-quality durable ABS plastic.
- The fans feature a gravity damper to prevent backdraft.
- Easily removable plastic grille ensures easy installation and maintenance of the fan.

- The modular grille design enables easy connection of an optional humidity or motion sensor.



- The CBF LP Light fans are equipped with an energy-efficient LED lamp.



LED lamp

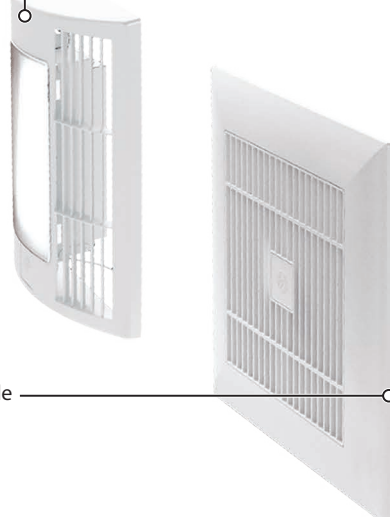
Power: 10 W
Colour temperature:
3 000 K
Luminous flux:
650 lumens

Incandescent lamp

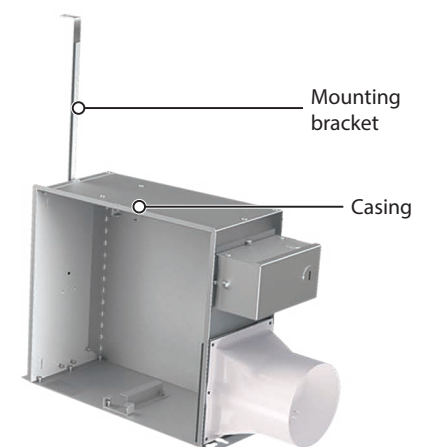
Power: 60 W

Plastic grille
with a LED lamp

Plastic grille



Assembled fan



Mounting
bracket

Casing

CEILING FANS

Options

- CBF LP: basic model with a two-speed motor.
- The CBF LP T unit is equipped with an adjustable turn-on and turn-off delay timer. A humidity sensor or a motion sensor (available separately) can be optionally connected to this fan modification.



Humidity sensor



Motion sensor

Control

The built-in control panel of the CBF LP T fans enables setup of the following parameters:

- timer-based turn-on delay
- timer-based turn-off delay
- humidity level
- air flow in Modes 1 and 2.

MANUAL CONTROL

- The fan is controlled by means of the P2-10 speed switch (available separately).



AUTOMATIC CONTROL



Timer: the fan constantly operates in Mode 1. When the light switch is closed, the fan switches to Mode 2 after the end of the turn-on delay time (from 0 to 3 minutes). Upon the light switch opening, the built-in turn-off delay timer keeps the fan running in Mode 2 from 1 to 90 minutes. On elapsing of this period the fan reverts to Mode 1. Timer and humidity sensor (available separately): the fan constantly operates in Mode 1.



If the indoor humidity level exceeds the sensor threshold value set in the 50-90% range, the fan switches to Mode 2. When the humidity level reverts to the pre-set value, the built-in turn-off delay timer keeps the fan running in Mode 2 from 1 to 90 minutes. On elapsing of this period the fan reverts to Mode 1. Timer and motion sensor (available separately): the fan constantly operates in Mode 1.



If the motion sensor detects movement within its range, the fan goes to Mode 2. When the movement is no longer detected, the built-in turn-off delay timer keeps the fan running in Mode 2 from 1 to 90 minutes. On elapsing of this period the fan reverts to Mode 1.

Name	Adjustment range for operation modes 1 and 2
------	--

CBF LP 200 T	OFF/Speed 1/Speed 2
--------------	---------------------

CBF LP 250 T	OFF/Speed 1/Speed 2
--------------	---------------------



Control panel for CBF LP fans

Mounting

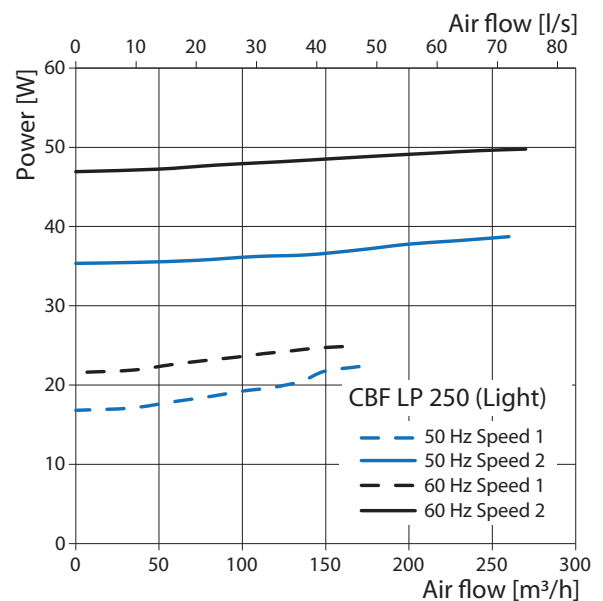
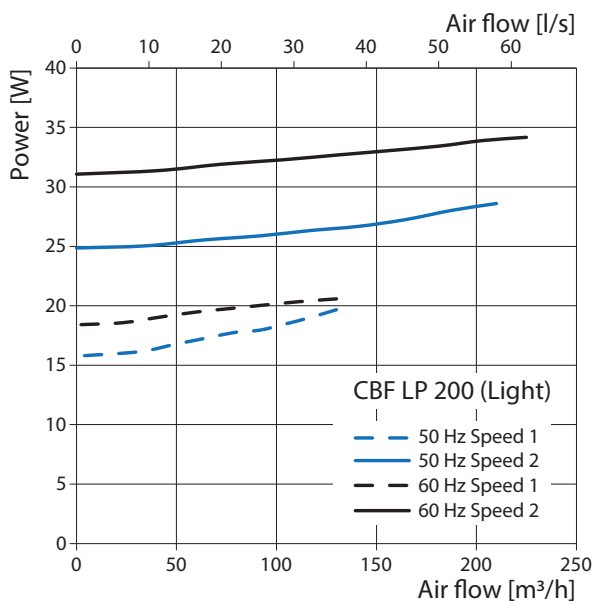
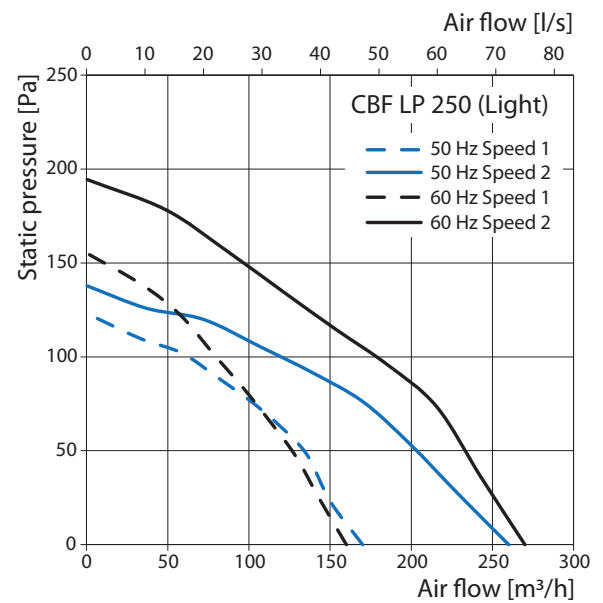
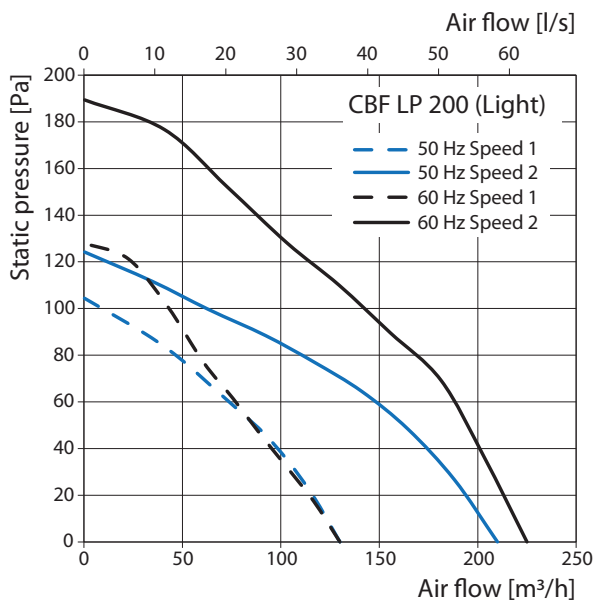
- The fan is designed for ceiling mounting.
- The fan is attached to the ceiling joists with spacer brackets and self-tapping screws.
- The flexible air duct is connected to the fan exhaust spigot through a clamp.
- The reduced casing height allows fans to be installed in ceilings with a thickness of minimum 140 mm.



Technical data

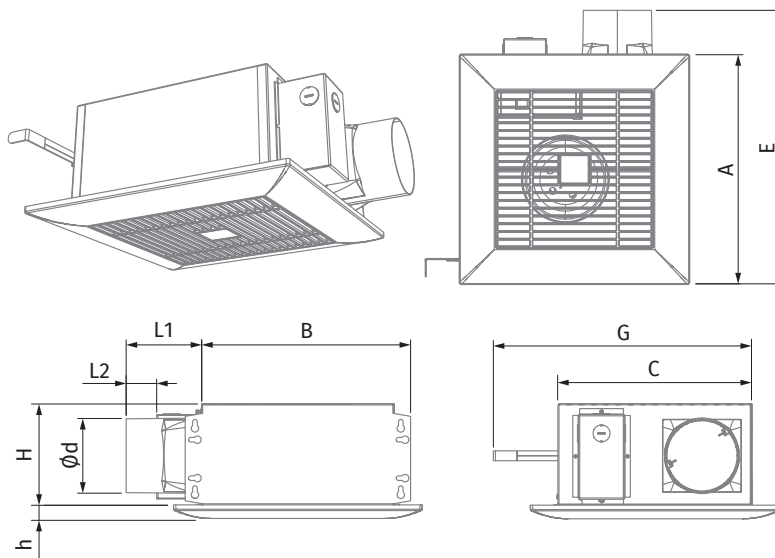
Model	CBF LP 200 (Light) CBF LP 200 (Light) T				CBF LP 250 (Light) CBF LP 250 (Light) T			
	220-240/50		220-240/60		220-240/50		220-240/60	
Unit voltage [V/Hz]								
Speed	min	max	min	max	min	max	min	max
Rated power [W]	20	29	21	34	23	39	25	50
Lamp power [W]*	2 × 10				2 × 10			
RPM [min ⁻¹]	714	1026	588	936	756	1122	732	1140
Current [A]	0.1	0.13	0.11	0.15	0.12	0.18	0.14	0.22
Air flow [m ³ /h] (l/s)	130 (36)	210 (58)	130 (36)	225 (63)	170 (47)	260 (72)	160 (44)	270 (75)
SFP [W/l/s]	0.55	0.50	0.58	0.54	0.49	0.54	0.56	0.67
Noise level [dBA]	24	27	24	28	25	29	25	30
Weight [kg]	5.3 (6.4*)				5.3 (6.4*)			
Ingress protection rating	IPX4				IPX4			
SEC class	D				C			

*Only for the Light fan modifications

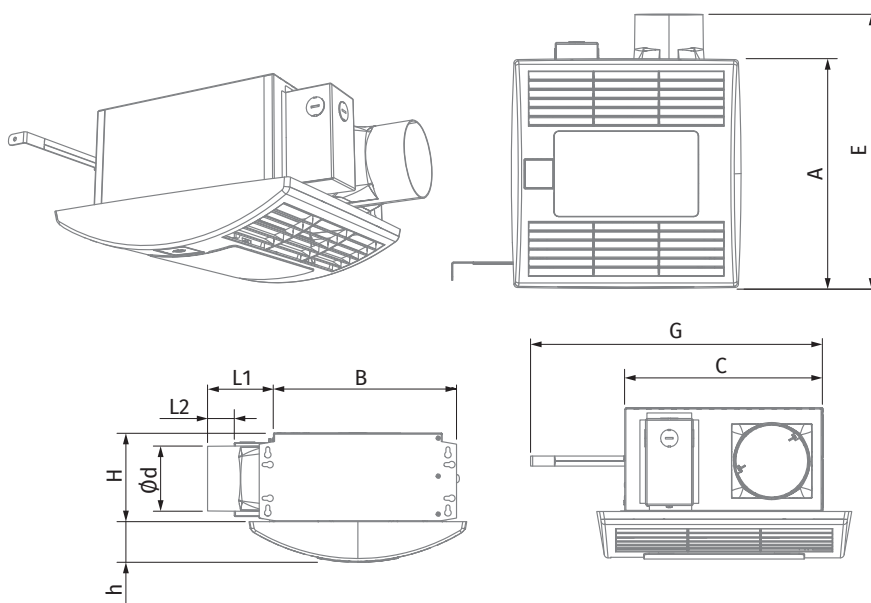


Overall dimensions

CBF LP











CBF LP Light



Dimensions [mm]	Ø d	L1	L2	A	B	C	E	H	h	G
CBF LP 200/250	98	100	40.5	330	278	255	395	134	18	max 620
CBF LP 200/250 Light	98	100	40.5	330	278	255	395	134	57	max 620

Accessories

Name	Accessory image	Description	CBF LP 200 CBF LP 250	CBF LP 200 T CBF LP 250 T
P2-10		Speed switch	●	●
TH CBF		Humidity sensor	○	●
TR CBF		Motion sensor	○	●
MVM 102 bVs N		Stainless steel ventilation hood Ø 100 mm	●	●
MV 102 V ASA		ASA-plastic ventilation hood Ø 100 mm	●	●
Polyvent 660/102/3		Flexible air duct Ø 100 mm, 3 m long	●	●
CB 100		Quick-detachable stainless steel clamp Ø 90-110 mm	●	●
CH-PLC-10WG23*		10 W LED light with colour temperature 3000 K	●	●

*Only for the CBF LP Light models



www.ventilation-system.com

The catalogue information is for reference only.
VENTS reserves the rights to modify any of its products' features, designs, components and specifications at any time and without notice to maintain the development and quality of manufactured goods.

06-2019

