

## Series GRM



Ventilation grille with gravity shutters

### Application

- Exhaust ventilation, heating and air conditioning networks in industrial, commercial and domestic premises.

### Design

- Made of high-quality metal shape with polymer coating
- Polymer or anodized grille coating ensures weather-resistant properties.
- Shutters are made of PVC plastic.
- Non-standard sizes may be ordered.

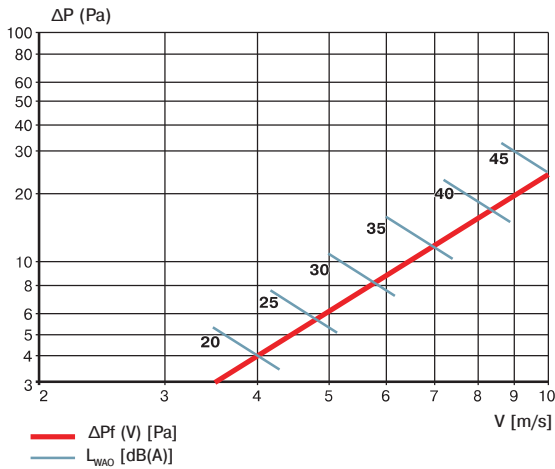
### Modifications

- Available modifications with an adapter (A) for connection to air ducts, page 42.
- Available modifications with versatile fixing (u) or with special springs (p) for fast mounting, page 44.

## Standard size [mm]

Model	Inner cross section size	L	L1	L2	e
GRM 200	116x116	200	150	136	-
GRM 250	166x166	250	200	186	-
GRM 285	200x200	284	234	220	-
GRM 300	216x216	300	250	236	-
GRM 335	250x250	334	284	270	-
GRM 350	266x266	350	300	286	-
GRM 385	300x300	384	334	320	-
GRM 400	316x316	400	350	336	-
GRM 435	350x350	434	384	370	-
GRM 450	366x366	450	400	386	-
GRM 485	400x400	484	434	420	-
GRM 535	450x450	534	484	470	-
GRM 550	466x466	550	500	486	-
GRM 585	500x500	584	534	520	257,0
GRM 635	550x550	634	584	570	282,0
GRM 655	571x571	655	605	591	292,5
GRM 685	601x601	685	635	621	307,5
GRM 715	630x630	714	664	650	322,0
GRM 725	641x641	725	675	661	327,5
GRM 805	721x721	805	755	741	367,5
GRM 835	751x751	835	785	771	382,5

## Pressure loss and sound power level



Calculation formula
$\Delta P_p = \Delta P \times K_p$

Correction factor $K_p$			
	0°	22°	45°
$K_p$	1	1,25	1,5

Calculation formula
$L_{WA} = L_{WAO} \times K$

Correction factor K						
$S_{ap}$ [m <sup>2</sup> ]	0,01	0,02	0,05	0,1	0,2	0,4
K [dB(A)]	-9	-6	-3	0	+3	+6

### Designation:

$\Delta P_p$  – pressure loss at various vane positions [Pa]

$\Delta P$  – pressure loss [Pa]

$K_p$  – correction factor for pressure loss calculation depending on louvre deflection angle

$L_{WA}$  – sound power level [dB(A)]

$L_{WAO}$  – sound power level for air pass 0.1 m<sup>2</sup> [dB(A)]

K – correction factor for sound power level calculation depending on air pass [dB(A)]

$S_{ap}$  – air pass [m<sup>2</sup>]

V – rated speed [m/s]

## Order code



### Grille type:

GRM – gravity grille

### Grille size:

L – outer size [mm]

### Grille coating:

"\_\_\_" – colour\* (white by default)

### Accessories:

\_\_\_ – no  
A – adapter

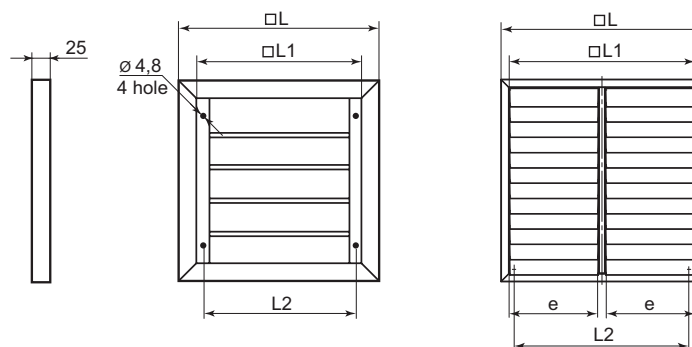
### Grille fixation:

u – versatile  
p – springs

### \* Standard polymer coating colours:



## Overall and mounting dimensions



GRM 200 - GRM 550

GRM 585 - GRM 835