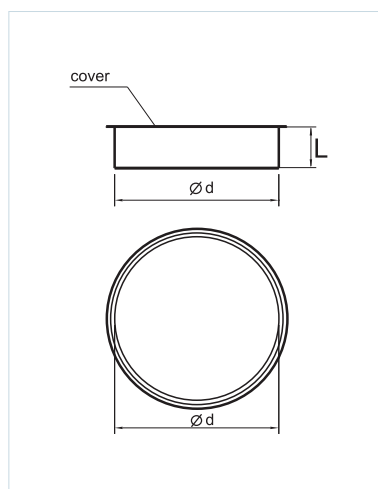


Internal end cap



Type	Diameter (d), mm	Steel thickness (p), mm	Length (L), mm
Internal end cap 125	125	0.50	50
Internal end cap 140	140	0.50	50
Internal end cap 150	150	0.50	50
Internal end cap 160	160	0.50	50
Internal end cap 180	180	0.50	50
Internal end cap 200	200	0.50	50
Internal end cap 224	224	0.50	50
Internal end cap 250	250	0.50	50
Internal end cap 280	280	0.50	50
Internal end cap 315	315	0.50	50
Internal end cap 355	355	0.50	60
Internal end cap 400	400	0.70	60
Internal end cap 450	450	0.70	60
Internal end cap 500	500	0.70	80
Internal end cap 560	560	0.70	80
Internal end cap 600	600	0.70	80
Internal end cap 630	630	0.70	80
Internal end cap 710	710	0.70	80
Internal end cap 800	800	0.70	80
Internal end cap 900	900	1.00	100
Internal end cap 1000	1000	1.00	100
Internal end cap 1120	1120	1.00	100
Internal end cap 1250	1250	1.00	100