

ND series



Decorative ventilation grille

Application

- Supply and exhaust ventilation, heating and air conditioning networks in industrial, commercial and domestic premises.

Design

- Made of high-quality plastic.
- Weather- and temperature-resistant.
- Simple and quick mounting.

Colour modifications



UV-resistant



Waterproof



Heat-resistant



Frostproof



Easy mounting



Fire-resistant



Antibacterial



Impact-resistant

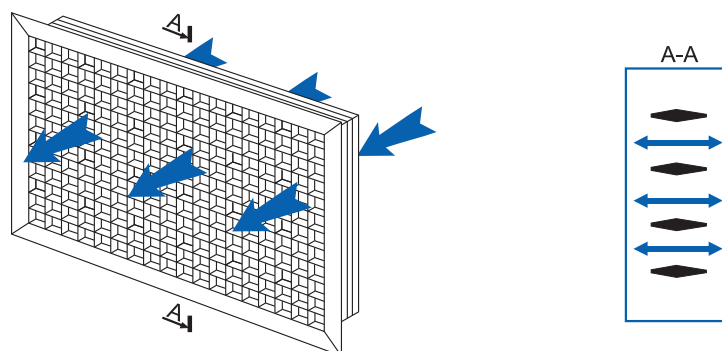


Durable

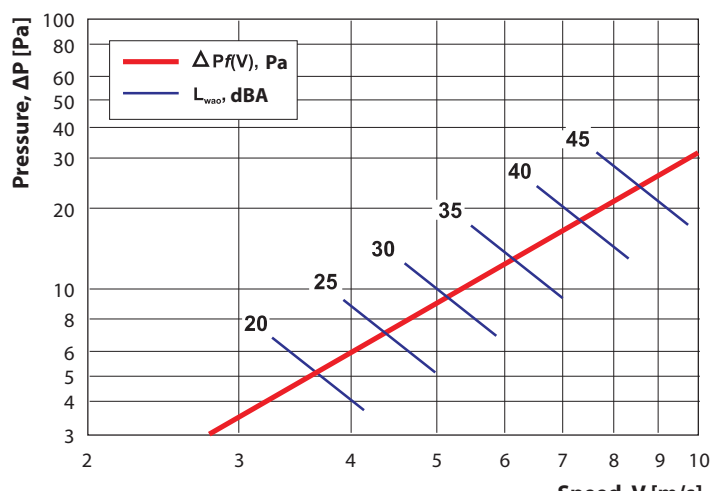


Maintenance-free

Air flow distribution



Pressure loss and sound power diagram



Overall dimensions

Model	Dimensions [mm]				Air pass [m ²]
	H	L	h	l	
ND 350×350	362	362	348	348	0,0729
ND 650×350	362	660	348	646	0,1458
ND 950×350	362	958	348	944	0,2187
ND 1250×350	362	1256	348	1242	0,2916
ND 650×650	660	660	646	646	0,2916
ND 950×650	660	958	646	944	0,4374
ND 1250×650	660	1256	646	1242	0,5832

