

Temperature controller
RT-10



■ **Applications**

Applied for control of the set indoor temperature as well as ventilation and air conditioning systems control.

■ **Design and control**

The casing is made of high-quality durable plastic. During the temperature increase or decrease with respect to the set value the thermostat opens or closes the contacts (the pattern is selected during the

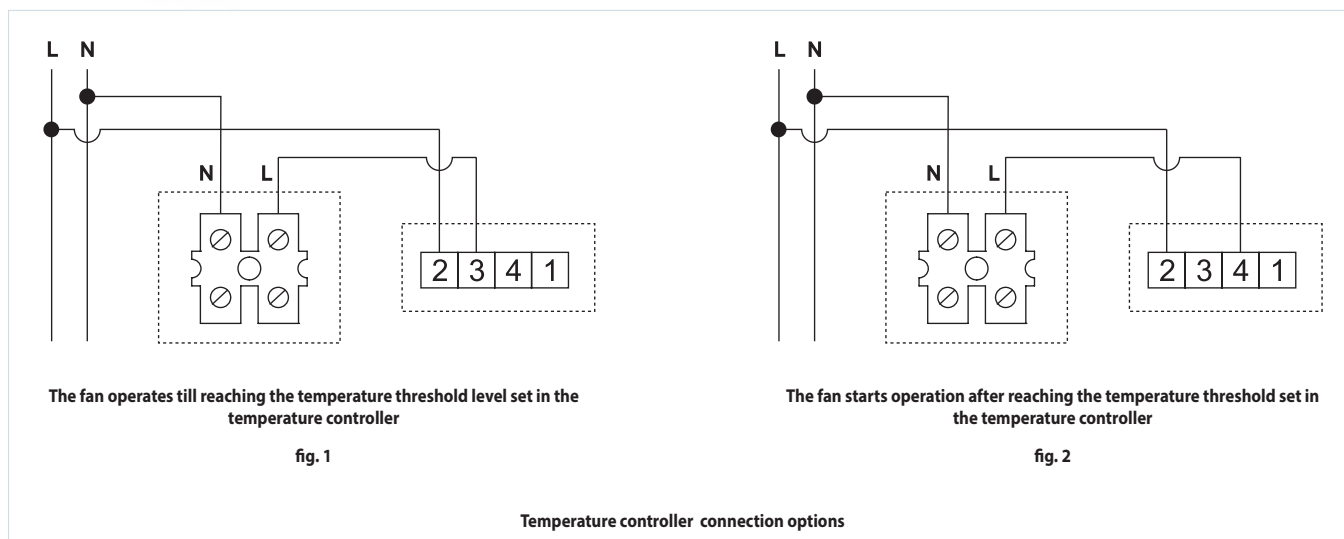
connection. The temperature adjustment range is +10 up to +30 °C.

■ **Mounting**

The temperature controller is designed for indoor surface mounting. The recommended installation height is 1.5 m. Do not install the temperature controller close to windows, doors, heating or cooling devices.

Technical data

	RT-10
Voltage [V/50 (60) Hz]	1~230
Overall dimensions LxWxH [mm]	84x84x35
Maximum ambient temperature [°C]	40
Protection rating	IP40
Hysteresis [°C]	0.5...1



Wiring diagram, fig. 1

- maximum current of active load no more 10A
- maximum current of inductive load no more 3A

Wiring diagram, fig. 2

- maximum current of active load no more 6A
- maximum current of inductive load no more 2A