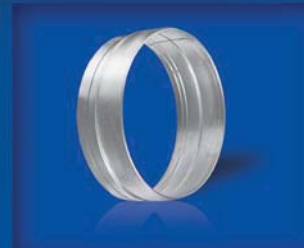


SPIRALLY WOUND DUCTS

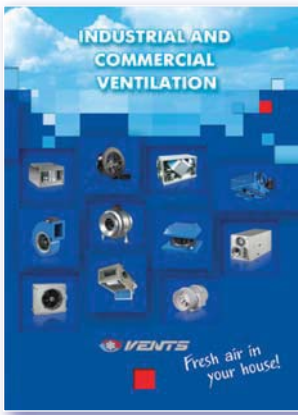


 SPIROVENT



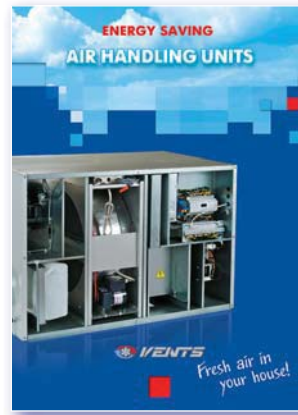
2014

Fresh air in
your house!



Industrial and commercial ventilation
(Catalogue no. 1)

Industrial and commercial ventilation components - fans for round and rectangular ducts, sound-insulated, axial and roof fans, air handling units with heat recovery, air heating units, accessories.



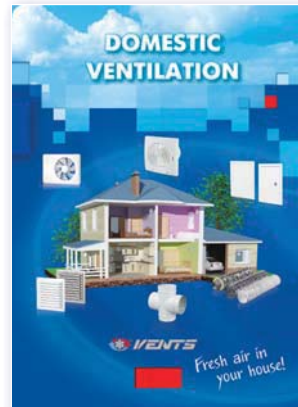
Energy saving ventilation
Air handling units
(Catalogue no. 2)

Energy saving supply and exhaust units and air handling units with heat recovery with air capacity up to 6500 m³/h.



Fire and smoke damper KPDU
(Catalogue no. 5)

Fire dampers KPDU for smoke protection systems of buildings and premises.



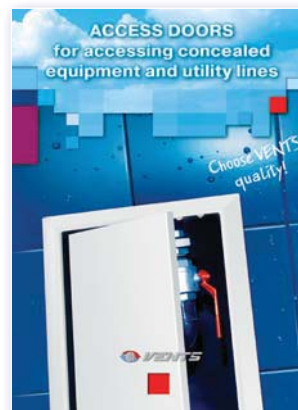
Domestic ventilation
(Catalogue no. 6)

Domestic ventilation: fans, mono-pipe exhaust kitchen and bathroom fans, air distribution units, air ducts and fittings, access doors, ventilation kits.



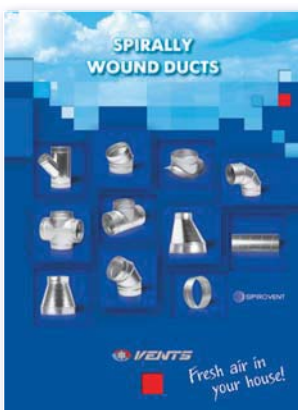
Air distribution units
(Catalogue no. 9)

Plastic and metal air distribution products (grilles, disk valves, diffusers, etc.) for ventilation, air conditioning and heating.



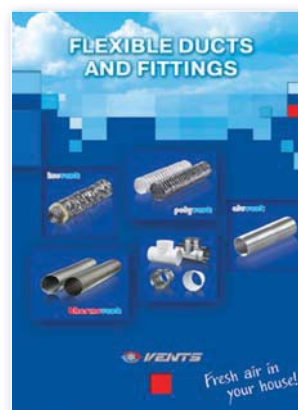
Access doors
(Catalogue no. 10)

Plastic and metal access doors for accessing concealed equipment and utility lines. Special offers for ceramic tiles.



Spiral seam air ducts
(Catalogue no. 13)

SPIROVENT spiral seam vent ducts and fittings of 100 to 1600 mm diameter.



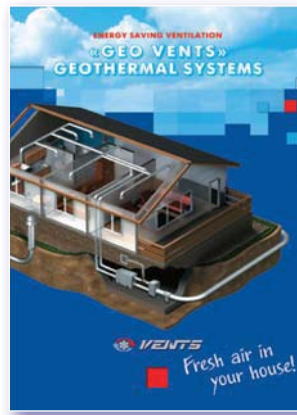
Flexible ducts and fittings for ventilation, air conditioning and heating
(Catalogue no. 14)

Flexible and semi-flexible air ducts made of polymeric materials, aluminium, galvanized or stainless steel, metal fittings for ventilation, air conditioning, heating, gas handling and abrasive particles aspiration.



**Air handling units
AIRVENTS
(Catalogue no. 3)**

Energy saving air handling units with air capacity up to 40 000 m³/h, for use in large residential, industrial and commercial objects.



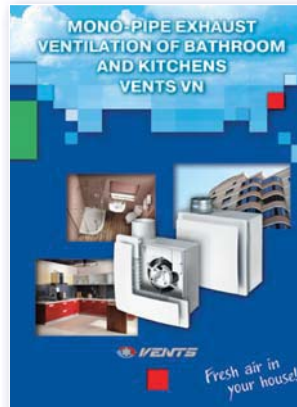
**Energy saving ventilation
Geothermal systems
GEO VENTS
(Catalogue no. 4)**

Energy saving system GEO VENTS with use of the earth's surface layers heat. High ventilation system energy efficiency and low operating costs.



**Domestic fans
(Catalogue no. 7)**

Domestic fans with air capacity up to 365 m³/h with extra functions: timer, humidity sensor, motion sensor, etc. Applied for premises up to 30 m².



**VENTS VN
Mono-pipe exhaust
ventilation
(Catalogue no. 8)**

Exhaust ventilation in houses with mono-pipe ventilation system based on VENTS VN fans.



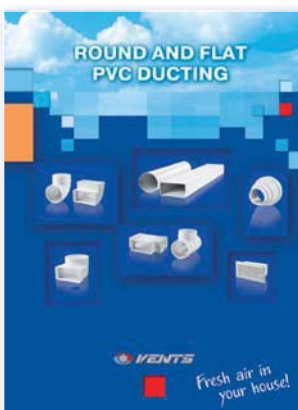
**Plastic grilles for ventilation
and air conditioning
(Catalogue no. 11)**

PROFIPLAST extruded plastic grilles for ventilation and air conditioning.



**Metal grilles for ventilation,
air conditioning and heating
(Catalogue no. 12)**

Metal grilles made of extruded metal profile for ventilation and air conditioning.



**Flat and round PVC
air ducts
(Catalogue no. 15)**

Flat and round PVC ducts PLASTIVENT for ventilation of residential, office and commercial premises and connection of exhaust ventilation equipment (kitchen extractors, hoods, exhaust boxes, etc). Wide product range of fittings.



**Energy saving ventilation.
Single room energy
recovery ventilators.
(Catalogue no. 16)**

Single room reverse ventilators with energy regeneration for efficient ventilation and lowest investments in ready-built and brand new premises.



CATALOGUES

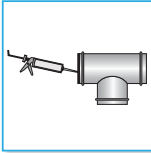


CATALOGUE SECTION



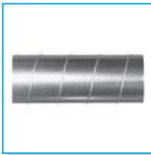
About company

page
4



**Spirally wound air ducts are the best technical solution
for ventilation systems' mounting**

page
6



Spirally wound ducts

page
8

WELCOME TO THE VENTS WORLD!



VENTS company was founded in the nineties of the XXth century.

Dynamic development of the enterprise and ongoing study of the consumer demand enabled rapid international leadership of the company in the ventilation industry.

VENTS is a powerful research and development enterprise with 2500 professionals working as a single team to ensure a full production cycle from idea to end product. The production base of the company is located at more than 60 000 m² area. It includes 16 workshops equipped under the latest international standards and each of them is comparable to a separate plant.

Modern equipment, active implementation of advanced technologies and highly automated production are the characteristic features of VENTS company.

The company undergoes rapid dynamic development; fundamental researches and effective designs in climatic equipment industry are in the focus of the company's business strategy.

The joint cooperation of the corporate design department, test laboratories and production workshops let us introduce high quality products to the market.

Special attention is paid to the manufacturing of the goods during all manufacturing stages including monitoring of the technological conditions. Technical characteristics of supplied raw materials are thoroughly checked. Quality control system which meets international standard requirements ISO 9001:2000 was implemented at the enterprise.

Environmental protection is one of the basic components of the corporate development. The technological process at the enterprise is arranged in such a way as to exclude any negative impact to the environment. To solve the global energy saving problem we develop a special climatic equipment that provides comfortable conditions for people and reduces the energy demand significantly.

Perfect quality, competitive prices, high production potential, technical capabilities and the wide product range stimulate long-term partnership and product promotion all over the world.

The VENTS ventilation products are exported to more than 90 countries and are sold through the distribution network of 120 companies worldwide. Share of the VENTS products globally is above 10%.

VENTS is a member of high-rank international organizations, the leading HVAC experts.

Since 2008 VENTS has been a fully-featured member of HARDI Association (Heating, Air-conditioning and Refrigeration Distributors International, USA).

Since 2010 VENTS has been a participant of AMCA Association (the Air Movement and Control Association (AMCA) International, Inc.). In 2011 VENTS successfully passed tests for compliance with AMCA standards and the VENTS products were certified for the USA market.

In 2011 VENTS joined HVI (Home Ventilation Institute, USA) Association.





Metal processing workshop



Spiral air ducts workshop



Flexible air ducts workshop



Aluminium grilles and diffusers workshop



Powder coating workshop



Wet coating workshop



Extrusion workshop



Injection moulding workshop



Residential fans workshop



Ventilation grilles workshop



Electric motors workshop



Industrial fans workshop



Air handling units workshop



AirVents air handling unit workshop



Electrical accessories workshop



Extruded grilles workshop

Powerful production facilities, high automation level, active implementation of innovative technologies in the production process made VENTS a worldwide ventilation leader.

We manufacture our products with respect to unique geographical, climatic, technical features of each country and do our best to fulfill the client's wishes anywhere anytime.



Get benefit from cooperation with VENTSTM and enjoy the maximum range of products of the top quality from one manufacturer.

Spirally wound air ducts are the best technical solution for ventilation systems' mounting

Efficiency of spirally wound ducts' use is conditioned by several factors: first of all high level of aerodynamic characteristics of spirally wound air ducts; secondly – advantage of mounting: mounting of spirally wound air ducts is carried out easily and quickly with straight segments and sections of fittings. Due to the high quality of fittings, construction of the fittings and hermiticity, the decrease of air leak, waste of pressure and noise level is observed.

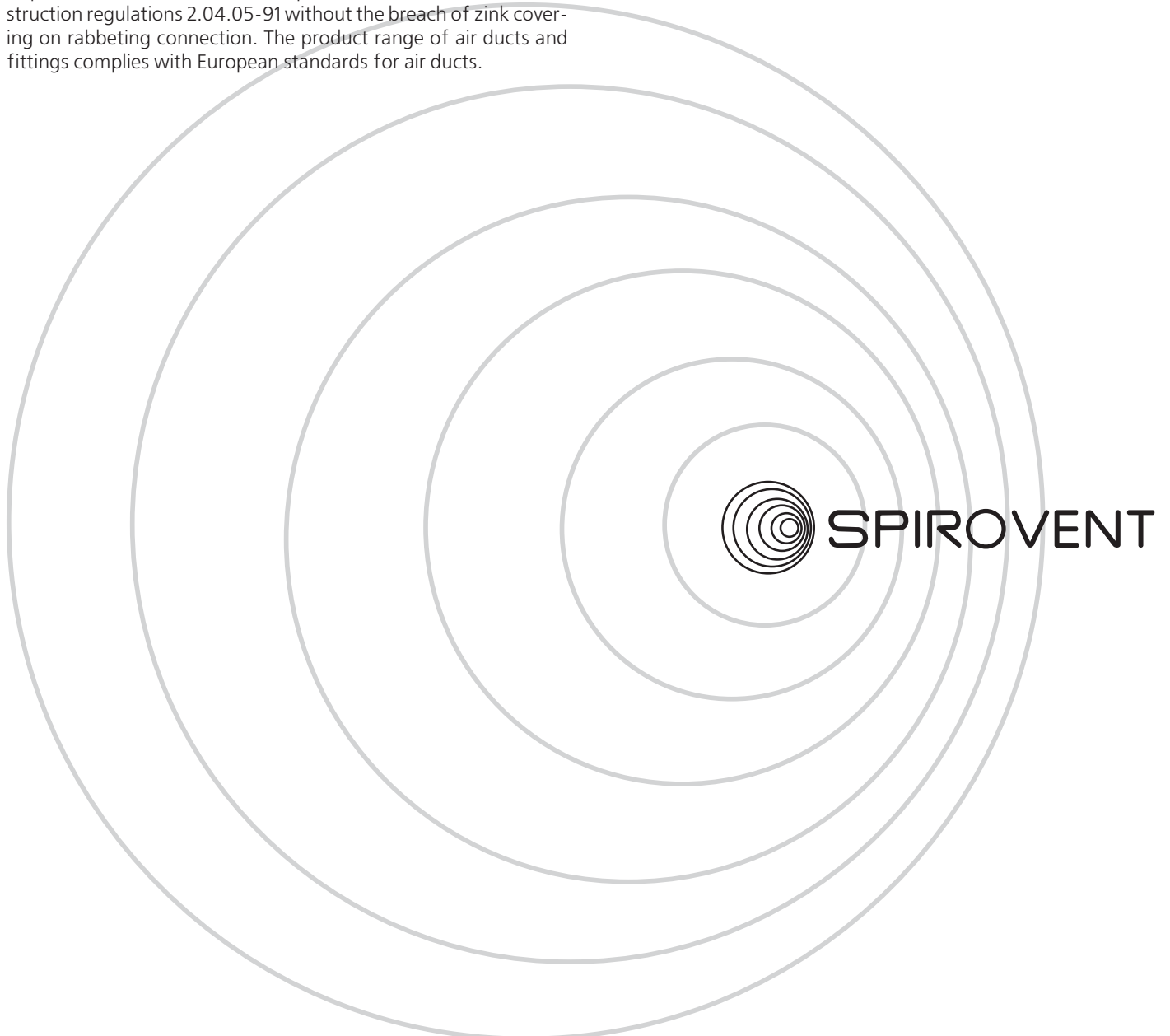
The modern automated line of high-precision machines «Spiro International Group» (Switzerland) with computer process control ensures the full cycle of production of air ducts and fittings of circular section (Ø 100-1600 mm).

All the products made from galvanized steel in conformity with requirements of state standard specification 24751-81 and construction regulations 2.04.05-91 without the breach of zink covering on rabbeting connection. The product range of air ducts and fittings complies with European standards for air ducts.

Hermiticity of all products corresponds to class "D" (dense). The duct system stands constant air flow pressure up to 3000 Pa and by simultaneous pressure difference - up to 5000 Pa.

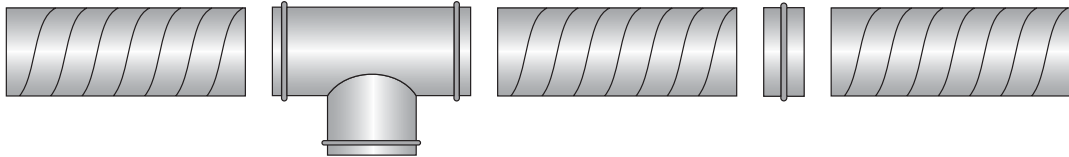
Connection of air ducts – coupling with use of sealant (silicone), which is fixed with the screw or clincher. Coupling is used for connection of straight segments. The fittings are connected with female coupling.

Air ducts and fittings are made from galvanized steel, thickness: $p=0,55$ (Ø- 100-355 mm); $p=0,7$ (Ø- 400-800 mm); $p=1,0$ (Ø - 900-1600 mm). To provide the hardness of air ducts with diameter of more than 315 mm the additional reinforcing ribs (intermediate ridge) are used.

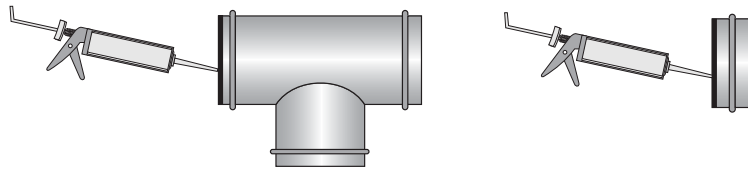


Any fitting or network equipment (silencers, throttles etc.) is a coupling element. Coupling is used only for straight segments' joining. The fittings are connected with a female coupling.

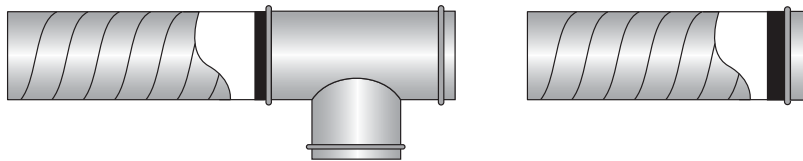
1. Accomplish calculations of the chosen ventilation system and choose the necessary components;



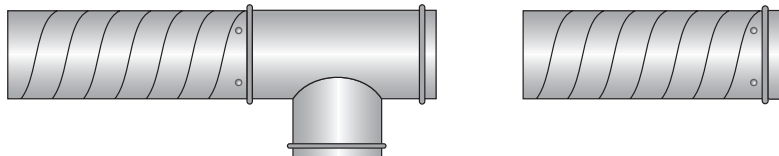
2. Apply a thin (2-3 mm) stripe of sealant (silicone) on the edge of the fitting*;



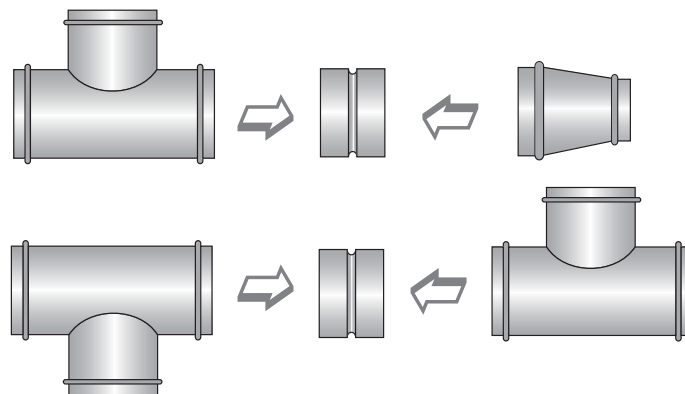
3. Mount the fitting into the straight duct segment;



4. Fix the connection;

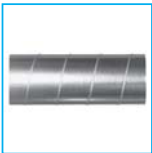









5. Female coupling is used for two fittings' connection.











* product with a sealing ring does not require the application of sealant

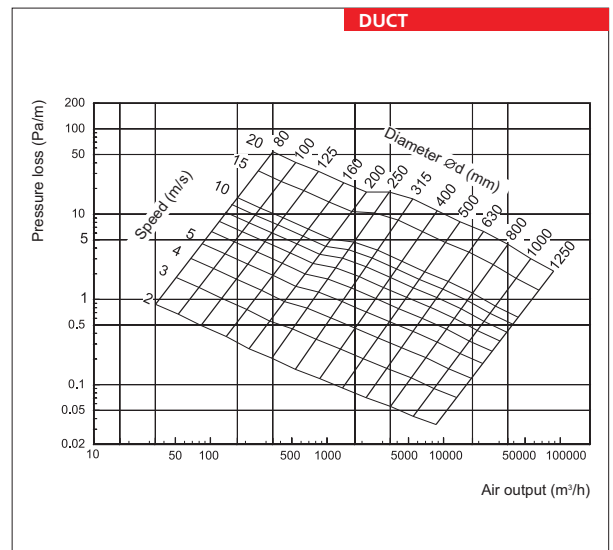
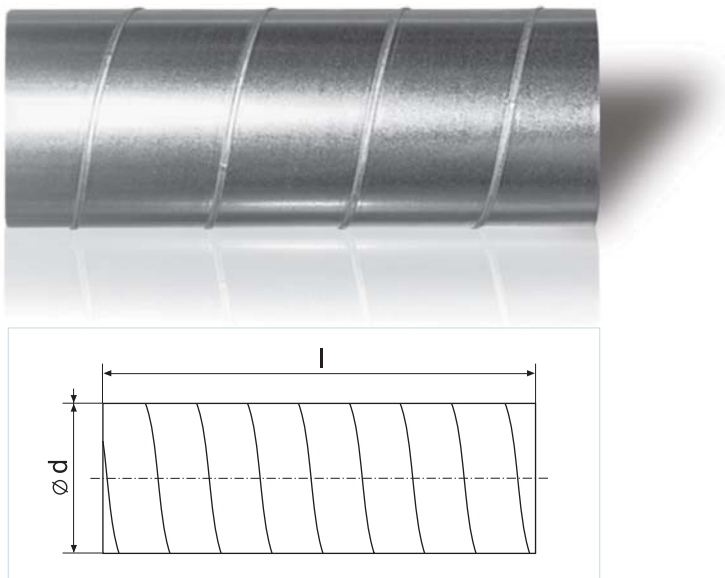
SPIRALLY WOUND DUCTS

	Round duct	page 10
	Coupling	page 11
	Female coupling	page 12
	Internal end cap	page 13
	Outside end cap	page 14
	Bend 90°	page 15
	Bend 60°	page 16
	Bend 45°	page 17



	Bend 30°	page 18
	Bend 15°	page 19
	Reducer	page 20
	One-sided reducer	page 23
	T-joint	page 26
	Angular T-joint	page 31
	Cross-tee	page 36
	Saddle	page 40

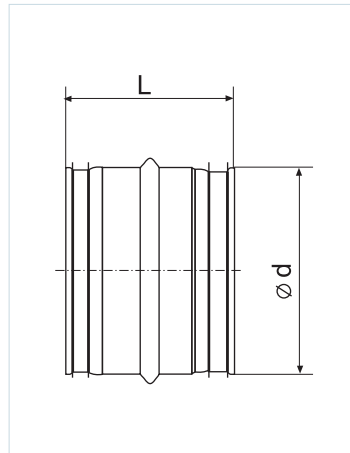
Round duct



Type	Diameter (d), mm	Steel thickness (p), mm	Surface area, 1 m, m ²	Air pass, m ²
Spirovent 100	100	0.55	0.3140	0.0079
Spirovent 110	110	0.55	0.3454	0.0095
Spirovent 125	125	0.55	0.3925	0.0123
Spirovent 140	140	0.55	0.4396	0.0154
Spirovent 150	150	0.55	0.4710	0.0177
Spirovent 160	160	0.55	0.5024	0.0201
Spirovent 180	180	0.55	0.5652	0.0254
Spirovent 200	200	0.55	0.6280	0.0314
Spirovent 224	224	0.55	0.7034	0.0394
Spirovent 250	250	0.55	0.7850	0.0491
Spirovent 280	280	0.55	0.8792	0.0615
Spirovent 315	315	0.55	0.9891	0.0779
Spirovent 355	355	0.55	1.1147	0.0989
Spirovent 400	400	0.70	1.2560	0.1256
Spirovent 450	450	0.70	1.4130	0.1590
Spirovent 500	500	0.70	1.5700	0.1963
Spirovent 560	560	0.70	1.7584	0.2462
Spirovent 600	600	0.70	1.8840	0.2826
Spirovent 630	630	0.70	1.9782	0.3116
Spirovent 710	710	0.70	2.2294	0.3957
Spirovent 800	800	0.70	2.5120	0.5024
Spirovent 900	900	1.00	2.8260	0.6359
Spirovent 1000	1000	1.00	3.1400	0.7850
Spirovent 1120	1120	1.00	3.5168	0.9847
Spirovent 1250	1250	1.00	3.9250	1.2266
Spirovent 1400	1400	1.00	4.3960	1.5386
Spirovent 1600	1600	1.00	5.0240	2.0096

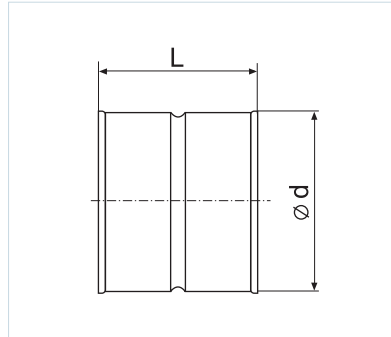
l = 1; 2; 3 m

Coupling



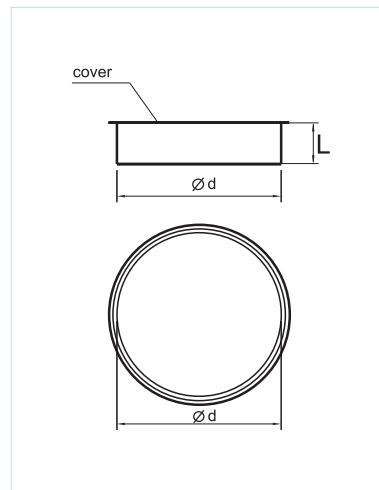
Type	Diameter (d), mm	Steel thickness (p), mm	Length (L), mm
Coupling 100	100	0.55	140
Coupling 110	110	0.55	140
Coupling 125	125	0.55	140
Coupling 140	140	0.55	140
Coupling 150	150	0.55	140
Coupling 160	160	0.55	140
Coupling 180	180	0.55	140
Coupling 200	200	0.55	140
Coupling 224	224	0.55	140
Coupling 250	250	0.55	140
Coupling 280	280	0.55	140
Coupling 315	315	0.55	140
Coupling 355	355	0.55	140
Coupling 400	400	0.70	140
Coupling 450	450	0.70	140
Coupling 500	500	0.70	140
Coupling 560	560	0.70	180
Coupling 600	600	0.70	180
Coupling 630	630	0.70	180
Coupling 710	710	0.70	180
Coupling 800	800	0.70	180
Coupling 900	900	1.00	180
Coupling 1000	1000	1.00	200
Coupling 1120	1120	1.00	200
Coupling 1250	1250	1.00	200
Coupling 1400	1400	1.00	200
Coupling 1600	1600	1.00	200

Female coupling



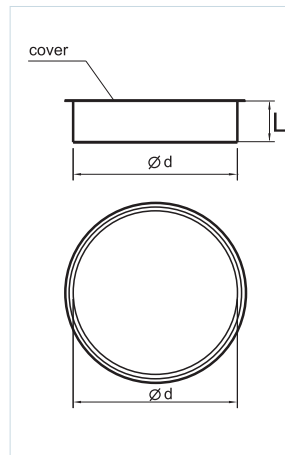
Type	Diameter (d), mm	Steel thickness (p), mm	Length (L), mm
Female coupling 100	100	0.55	140
Female coupling 110	110	0.55	140
Female coupling 125	125	0.55	140
Female coupling 140	140	0.55	140
Female coupling 150	150	0.55	140
Female coupling 160	160	0.55	140
Female coupling 180	180	0.55	140
Female coupling 200	200	0.55	140
Female coupling 224	224	0.55	140
Female coupling 250	250	0.55	140
Female coupling 280	280	0.55	140
Female coupling 315	315	0.55	140
Female coupling 355	355	0.55	140
Female coupling 400	400	0.70	140
Female coupling 450	450	0.70	140
Female coupling 500	500	0.70	140
Female coupling 560	560	0.70	180
Female coupling 600	600	0.70	180
Female coupling 630	630	0.70	180
Female coupling 710	710	0.70	180
Female coupling 800	800	0.70	180
Female coupling 900	900	1.00	180
Female coupling 1000	1000	1.00	200
Female coupling 1120	1120	1.00	200
Female coupling 1250	1250	1.00	200
Female coupling 1400	1400	1.00	200
Female coupling 1600	1600	1.00	200

Internal end cap



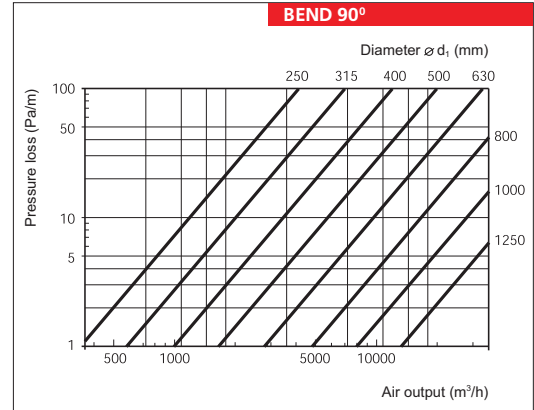
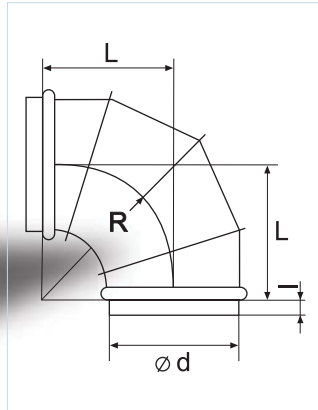
Type	Diameter (d), mm	Steel thickness (p), mm	Length (L), mm
Internal end cap 125	125	0.50	50
Internal end cap 140	140	0.50	50
Internal end cap 150	150	0.50	50
Internal end cap 160	160	0.50	50
Internal end cap 180	180	0.50	50
Internal end cap 200	200	0.50	50
Internal end cap 224	224	0.50	50
Internal end cap 250	250	0.50	50
Internal end cap 280	280	0.50	50
Internal end cap 315	315	0.50	50
Internal end cap 355	355	0.50	60
Internal end cap 400	400	0.70	60
Internal end cap 450	450	0.70	60
Internal end cap 500	500	0.70	80
Internal end cap 560	560	0.70	80
Internal end cap 600	600	0.70	80
Internal end cap 630	630	0.70	80
Internal end cap 710	710	0.70	80
Internal end cap 800	800	0.70	80
Internal end cap 900	900	1.00	100
Internal end cap 1000	1000	1.00	100
Internal end cap 1120	1120	1.00	100
Internal end cap 1250	1250	1.00	100

Outside end cap



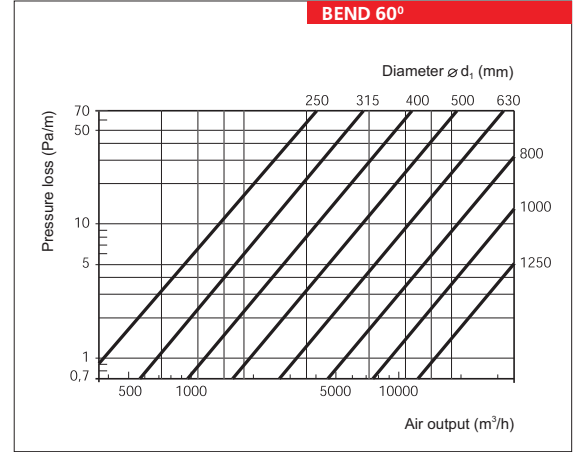
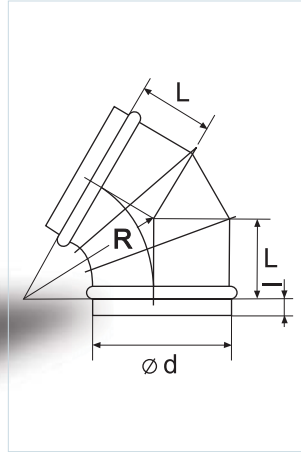
Type	Diameter (d), mm	Steel thickness (p), mm	Length (L), mm
Outside end cap 125	125	0.50	50
Outside end cap 140	140	0.50	50
Outside end cap 150	150	0.50	50
Outside end cap 160	160	0.50	50
Outside end cap 180	180	0.50	50
Outside end cap 200	200	0.50	50
Outside end cap 224	224	0.50	50
Outside end cap 250	250	0.50	50
Outside end cap 280	280	0.50	50
Outside end cap 315	315	0.50	50
Outside end cap 355	355	0.50	60
Outside end cap 400	400	0.70	60
Outside end cap 450	450	0.70	60
Outside end cap 500	500	0.70	80
Outside end cap 560	560	0.70	80
Outside end cap 600	600	0.70	80
Outside end cap 630	630	0.70	80
Outside end cap 710	710	0.70	80
Outside end cap 800	800	0.70	80
Outside end cap 900	900	1.00	100
Outside end cap 1000	1000	1.00	100
Outside end cap 1120	1120	1.00	100
Outside end cap 1250	1250	1.00	100

Bend 90°



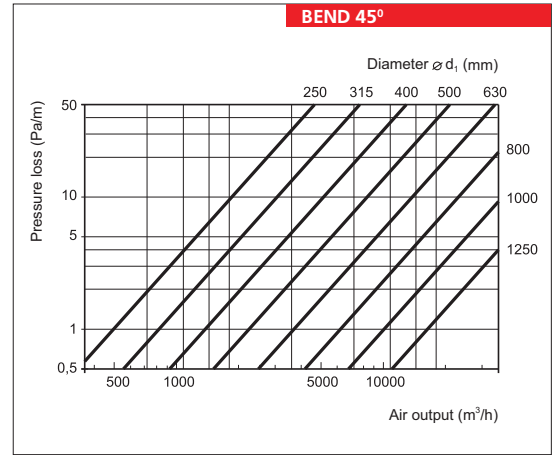
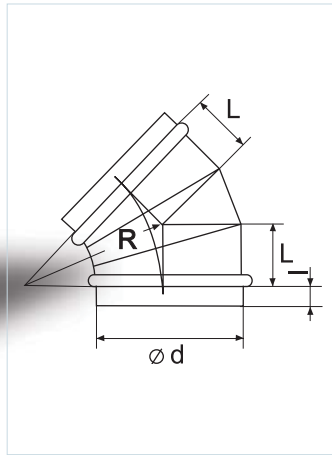
Type	Diameter (d), mm	Steel thickness (p), mm	Length (L), mm	l, mm	R, mm
Bend 90-125	125	0.50	125	50	125
Bend 90-140	140	0.50	140	50	140
Bend 90-150	150	0.50	150	50	150
Bend 90-160	160	0.50	160	50	160
Bend 90-180	180	0.50	180	50	180
Bend 90-200	200	0.50	200	50	200
Bend 90-224	224	0.50	224	50	224
Bend 90-250	250	0.50	250	50	250
Bend 90-280	280	0.50	280	50	280
Bend 90-315	315	0.50	315	50	315
Bend 90-355	355	0.50	355	60	355
Bend 90-400	400	0.70	400	60	400
Bend 90-450	450	0.70	450	60	450
Bend 90-500	500	0.70	500	80	500
Bend 90-560	560	0.70	560	80	560
Bend 90-600	600	0.70	600	80	600
Bend 90-630	630	0.70	630	80	630
Bend 90-710	710	0.70	710	80	710
Bend 90-800	800	0.70	800	80	800
Bend 90-900	900	1.00	900	100	900
Bend 90-1000	1000	1.00	1000	100	1000
Bend 90-1120	1120	1.00	1120	100	1120
Bend 90-1250	1250	1.00	1250	100	1250

Bend 60°



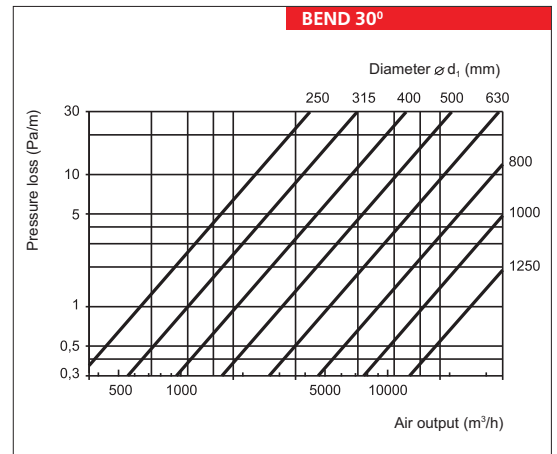
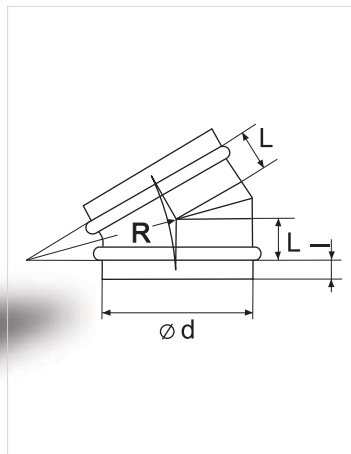
Type	Diameter (d), mm	Steel thickness (p), mm	Length (L), mm	l, mm	R, mm
Bend 60-125	125	0.50	72	50	125
Bend 60-140	140	0.50	78	50	140
Bend 60-150	150	0.50	87	50	150
Bend 60-160	160	0.50	92	50	160
Bend 60-180	180	0.50	104	50	180
Bend 60-200	200	0.50	115	50	200
Bend 60-224	224	0.50	130	50	224
Bend 60-250	250	0.50	144	50	250
Bend 60-280	280	0.50	162	50	280
Bend 60-315	315	0.50	182	50	315
Bend 60-355	355	0.50	205	60	355
Bend 60-400	400	0.70	231	60	400
Bend 60-450	450	0.70	260	60	450
Bend 60-500	500	0.70	290	80	500
Bend 60-560	560	0.70	325	80	560
Bend 60-600	600	0.70	346	80	600
Bend 60-630	630	0.70	365	80	630
Bend 60-710	710	0.70	412	80	710
Bend 60-800	800	0.70	465	80	800
Bend 60-900	900	1.00	522	100	900
Bend 60-1000	1000	1.00	580	100	1000
Bend 60-1120	1120	1.00	650	100	1120
Bend 60-1250	1250	1.00	725	100	1250

Bend 45°



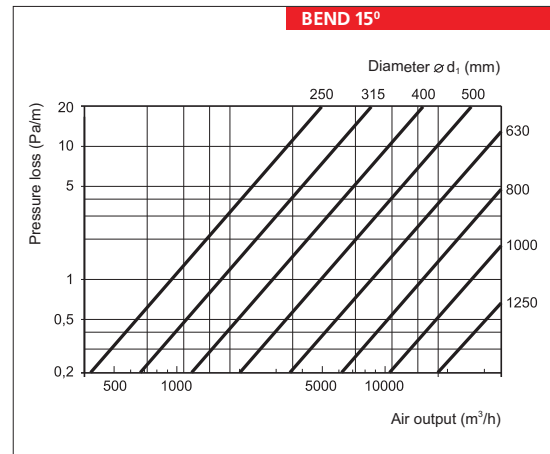
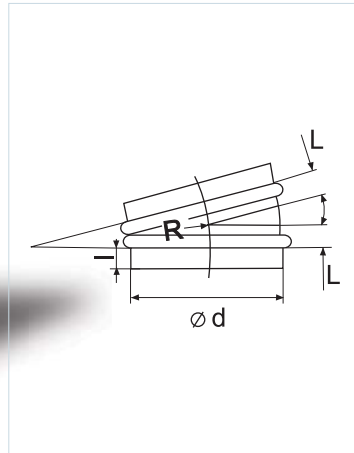
Type	Diameter (d), mm	Steel thickness (p), mm	Length (L), mm	l, mm	R, mm
Bend 45-125	125	0.50	52	50	125
Bend 45-140	140	0.50	56	50	140
Bend 45-150	150	0.50	62	50	150
Bend 45-160	160	0.50	66	50	160
Bend 45-180	180	0.50	76	50	180
Bend 45-200	200	0.50	83	50	200
Bend 45-224	224	0.50	93	50	224
Bend 45-250	250	0.50	104	50	250
Bend 45-280	280	0.50	116	50	280
Bend 45-315	315	0.50	130	50	315
Bend 45-355	355	0.50	142	60	355
Bend 45-400	400	0.70	162	60	400
Bend 45-450	450	0.70	186	60	450
Bend 45-500	500	0.70	204	80	500
Bend 45-560	560	0.70	232	80	560
Bend 45-600	600	0.70	249	80	600
Bend 45-630	630	0.70	261	80	630
Bend 45-710	710	0.70	294	80	710
Bend 45-800	800	0.70	331	80	800
Bend 45-900	900	1.00	373	100	900
Bend 45-1000	1000	1.00	414	100	1000
Bend 45-1120	1120	1.00	464	100	1120
Bend 45-1250	1250	1.00	518	100	1250

Bend 30°



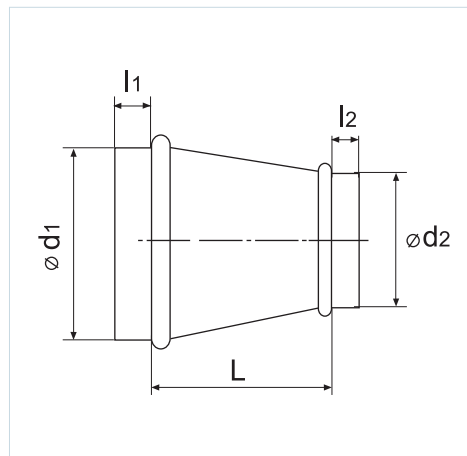
Type	Diameter (d), mm	Steel thickness (p), mm	Length (L), mm	l, mm	R, mm
Bend 30-125	125	0.50	33	50	125
Bend 30-140	140	0.50	36	50	140
Bend 30-150	150	0.50	40	50	150
Bend 30-160	160	0.50	43	50	160
Bend 30-180	180	0.50	48	50	180
Bend 30-200	200	0.50	55	50	200
Bend 30-224	224	0.50	60	50	224
Bend 30-250	250	0.50	67	50	250
Bend 30-280	280	0.50	75	50	280
Bend 30-315	315	0.50	84	50	315
Bend 30-355	355	0.50	95	60	355
Bend 30-400	400	0.70	107	60	400
Bend 30-450	450	0.70	122	60	450
Bend 30-500	500	0.70	135	80	500
Bend 30-560	560	0.70	151	80	560
Bend 30-600	600	0.70	161	80	600
Bend 30-630	630	0.70	170	80	630
Bend 30-710	710	0.70	192	80	710
Bend 30-800	800	0.70	216	80	800
Bend 30-900	900	1.00	243	100	900
Bend 30-1000	1000	1.00	270	100	1000
Bend 30-1120	1120	1.00	302	100	1120
Bend 30-1250	1250	1.00	338	100	1250

Bend 15°



Type	Diameter (d), mm	Steel thickness (p), mm	Length (L), mm	l, mm	R, mm
Bend 15-125	125	0.50	16	50	125
Bend 15-140	140	0.50	18	50	140
Bend 15-150	150	0.50	20	50	150
Bend 15-160	160	0.50	21	50	160
Bend 15-180	180	0.50	24	50	180
Bend 15-200	200	0.50	26	50	200
Bend 15-224	224	0.50	30	50	224
Bend 15-250	250	0.50	33	50	250
Bend 15-280	280	0.50	37	50	280
Bend 15-315	315	0.50	42	50	315
Bend 15-355	355	0.50	47	60	355
Bend 15-400	400	0.70	53	60	400
Bend 15-450	450	0.70	59	60	450
Bend 15-500	500	0.70	68	80	500
Bend 15-560	560	0.70	73	80	560
Bend 15-600	600	0.70	79	80	600
Bend 15-630	630	0.70	83	80	630
Bend 15-710	710	0.70	93	80	710
Bend 15-800	800	0.70	105	80	800
Bend 15-900	900	1.00	118	100	900
Bend 15-1000	1000	1.00	132	100	1000
Bend 15-1120	1120	1.00	147	100	1120
Bend 15-1250	1250	1.00	165	100	1250

Reducer



Type	d1, mm	d2, mm	l1, mm	l2, mm	L, mm	p, mm
Reducer 140/125	140	125	50	50	51	0.50
Reducer 150/125	150	125	50	50	64	0.50
Reducer 160/125		125	50	50	78	0.50
Reducer 160/140	160	140	50	50	57	0.50
Reducer 160/150		150	50	50	44	0.50
Reducer 200/125	200	125	50	50	133	0.50
Reducer 200/140		140	50	50	112	0.50
Reducer 200/150		150	50	50	99	0.50
Reducer 200/160		160	50	50	85	0.50
Reducer 224/125	224	125	50	50	166	0.50
Reducer 224/150		150	50	50	132	0.50
Reducer 224/160		160	50	50	118	0.50
Reducer 224/200		200	50	50	63	0.50
Reducer 250/125	250	125	50	50	202	0.50
Reducer 250/140		140	50	50	181	0.50
Reducer 250/150		150	50	50	167	0.50
Reducer 250/160		160	50	50	154	0.50
Reducer 250/200		200	50	50	99	0.50
Reducer 250/224		224	50	50	66	0.50
Reducer 280/125	280	125	50	50	243	0.50
Reducer 280/160		160	50	50	195	0.50
Reducer 280/200		200	50	50	140	0.50
Reducer 280/250		250	50	50	71	0.50
Reducer 315/125	315	125	50	50	291	0.50
Reducer 315/140		140	50	50	270	0.50
Reducer 315/150		150	50	50	257	0.50
Reducer 315/160		160	50	50	243	0.50
Reducer 315/200		200	50	50	188	0.50
Reducer 315/224		224	50	50	155	0.50
Reducer 315/250		250	50	50	119	0.50
Reducer 315/280		280	50	50	78	0.50

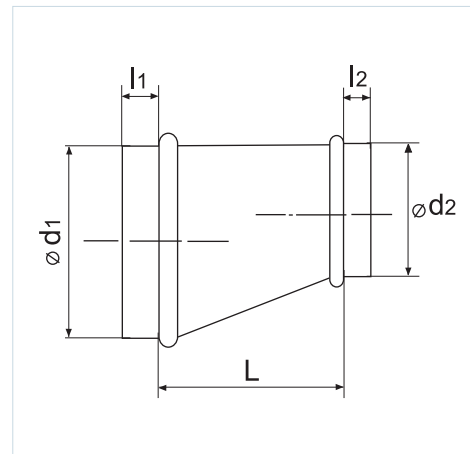
REDUCER

Type	d1, mm	d2, mm	l1, mm	l2, mm	L, mm	p, mm
Reducer 355/125	355	125	60	50	708	0.50
Reducer 355/150		150	60	50	315	0.50
Reducer 355/160		160	60	50	298	0.50
Reducer 355/200		200	60	50	243	0.50
Reducer 355/224		224	60	50	210	0.50
Reducer 355/250		250	60	50	174	0.50
Reducer 355/280		280	60	50	133	0.50
Reducer 355/315		315	60	50	85	0.50
Reducer 400/125		400	125	60	50	424
Reducer 400/150	150		60	50	385	0.7
Reducer 400/160	160		60	50	365	0.7
Reducer 400/200	200		60	50	310	0.7
Reducer 400/224	224		60	50	277	0.7
Reducer 400/250	250		60	50	241	0.7
Reducer 400/280	280		60	50	200	0.7
Reducer 400/315	315		60	50	152	0.7
Reducer 400/355	355		60	60	97	0.7
Reducer 450/150	450	150	60	50	462	0.7
Reducer 450/160		160	60	50	446	0.7
Reducer 450/200		200	60	50	378	0.7
Reducer 450/224		224	60	50	346	0.7
Reducer 450/250		250	60	50	310	0.7
Reducer 450/280		280	60	50	269	0.7
Reducer 450/315		315	60	50	221	0.7
Reducer 450/355		355	60	60	166	0.7
Reducer 450/400		400	60	60	109	0.7
Reducer 500/200	500	200	80	50	447	0.7
Reducer 500/224		224	80	50	414	0.7
Reducer 500/250		250	80	50	378	0.7
Reducer 500/280		280	80	50	337	0.7
Reducer 500/315		315	80	50	289	0.7
Reducer 500/355		355	80	60	234	0.7
Reducer 500/400		400	80	60	177	0.7
Reducer 500/450		450	80	60	109	0.7
Reducer 560/200		560	200	80	50	554
Reducer 560/224	224		80	50	517	0.7
Reducer 560/250	250		80	50	461	0.7
Reducer 560/280	280		80	50	420	0.7
Reducer 560/315	315		80	50	371	0.7
Reducer 560/355	355		80	60	317	0.7
Reducer 560/400	400		80	60	260	0.7
Reducer 560/450	450		80	60	191	0.7
Reducer 500/560	500		80	80	122	0.7
Reducer 600/250	600	250	80	50	516	0.7
Reducer 600/280		280	80	50	475	0.7
Reducer 600/315		315	80	50	427	0.7
Reducer 600/355		355	80	60	372	0.7
Reducer 600/400		400	80	60	315	0.7

REDUCER

Type	d1, mm	d2, mm	l1, mm	l2, mm	L, mm	p, mm
Reducer 600/450	600	450	80	60	246	0.7
Reducer 600/500		500	80	80	177	0.7
Reducer 600/560		560	80	80	95	0.7
Reducer 630/250	630	250	80	50	557	0.7
Reducer 630/280		280	80	50	516	0.7
Reducer 630/315		315	80	50	468	0.7
Reducer 630/355		355	80	60	413	0.7
Reducer 630/400		400	80	60	356	0.7
Reducer 630/450		450	80	60	287	0.7
Reducer 630/500		500	80	80	219	0.7
Reducer 630/560		560	80	80	136	0.7
Reducer 630/600		600	80	80	81	0.7
Reducer 710/315		710	315	80	50	608
Reducer 710/355	355		80	60	528	0.7
Reducer 710/400	400		80	60	471	0.7
Reducer 710/450	450		80	60	402	0.7
Reducer 710/500	500		80	80	333	0.7
Reducer 710/560	560		80	80	251	0.7
Reducer 710/600	600		80	80	196	0.7
Reducer 710/630	630		80	80	155	0.7
Reducer 800/400	800	400	80	60	594	0.7
Reducer 800/450		450	80	60	526	0.7
Reducer 800/500		500	80	80	457	0.7
Reducer 800/560		560	80	80	375	0.7
Reducer 800/600		600	80	80	320	0.7
Reducer 800/630		630	80	80	279	0.7
Reducer 800/710		710	80	80	174	0.7
Reducer 900/450	900	450	100	60	663	1
Reducer 900/500		500	100	80	594	1
Reducer 900/560		560	100	80	512	1
Reducer 900/600		600	100	80	457	1
Reducer 900/630		630	100	80	416	1
Reducer 900/710		710	100	80	311	1
Reducer 900/800		800	100	80	187	1
Reducer 1000/500	1000	500	100	80	732	1
Reducer 1000/560		560	100	80	649	1
Reducer 1000/600		600	100	80	594	1
Reducer 1000/630		630	100	80	553	1
Reducer 1000/710		710	100	80	448	1
Reducer 1000/800		800	100	80	490	1
Reducer 1000/900		900	100	100	352	1
Reducer 1120/1000	1120	1000	100	100	215	1
Reducer 1250/630	1250	630	100	80	897	1
Reducer 1250/710		710	100	80	792	1
Reducer 1250/800		800	100	80	668	1
Reducer 1250/900		900	100	100	531	1
Reducer 1250/1000		1000	100	100	393	1
Reducer 1250/1120		1120	100	100	229	1

One-sided reducer



Type	d1, mm	d2, mm	l1, mm	l2, mm	L, mm	p, mm
One-sided reducer 140/125	140	125	50	50	51	0.50
One-sided reducer 150/125	150	125	50	50	64	0.50
One-sided reducer 160/125		125	50	50	78	0.50
One-sided reducer 160/140	160	140	50	50	57	0.50
One-sided reducer 160/150		150	50	50	44	0.50
One-sided reducer 200/125	200	125	50	50	133	0.50
One-sided reducer 200/140		140	50	50	112	0.50
One-sided reducer 200/150		150	50	50	99	0.50
One-sided reducer 200/160		160	50	50	85	0.50
One-sided reducer 224/125	224	125	50	50	166	0.50
One-sided reducer 224/150		150	50	50	132	0.50
One-sided reducer 224/160		160	50	50	118	0.50
One-sided reducer 224/200		200	50	50	63	0.50
One-sided reducer 250/125	250	125	50	50	202	0.50
One-sided reducer 250/140		140	50	50	181	0.50
One-sided reducer 250/150		150	50	50	167	0.50
One-sided reducer 250/160		160	50	50	154	0.50
One-sided reducer 250/200		200	50	50	99	0.50
One-sided reducer 250/224		224	50	50	66	0.50
One-sided reducer 280/125	280	125	50	50	243	0.50
One-sided reducer 280/160		160	50	50	195	0.50
One-sided reducer 280/200		200	50	50	140	0.50
One-sided reducer 280/250		250	50	50	71	0.50
One-sided reducer 315/125		315	125	50	50	291
One-sided reducer 315/140	140		50	50	270	0.50
One-sided reducer 315/150	150		50	50	257	0.50
One-sided reducer 315/160	160		50	50	243	0.50
One-sided reducer 315/200	200		50	50	188	0.50
One-sided reducer 315/224	224		50	50	155	0.50
One-sided reducer 315/250	250		50	50	119	0.50
One-sided reducer 315/280	280	50	50	78	0.50	

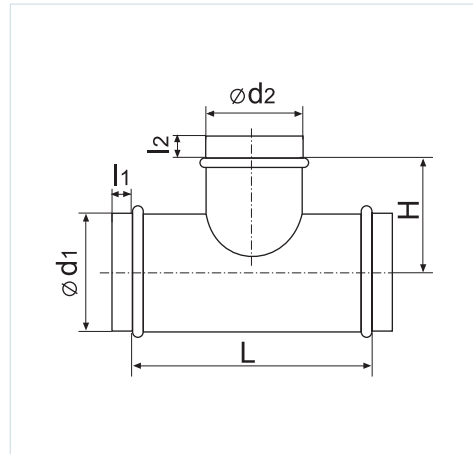
ONE-SIDED REDUCER

Type	d1, mm	d2, mm	l1, mm	l2, mm	L, mm	p, mm
One-sided reducer 355/125	355	125	60	50	708	0.50
One-sided reducer 355/150		150	60	50	315	0.50
One-sided reducer 355/160		160	60	50	298	0.50
One-sided reducer 355/200		200	60	50	243	0.50
One-sided reducer 355/224		224	60	50	210	0.50
One-sided reducer 355/250		250	60	50	174	0.50
One-sided reducer 355/280		280	60	50	133	0.50
One-sided reducer 355/315		315	60	50	85	0.50
One-sided reducer 400/125		400	125	60	50	424
One-sided reducer 400/150	150		60	50	385	0.7
One-sided reducer 400/160	160		60	50	365	0.7
One-sided reducer 400/200	200		60	50	310	0.7
One-sided reducer 400/224	224		60	50	277	0.7
One-sided reducer 400/250	250		60	50	241	0.7
One-sided reducer 400/280	280		60	50	200	0.7
One-sided reducer 400/315	315		60	50	152	0.7
One-sided reducer 400/355	355		60	60	97	0.7
One-sided reducer 450/150	450	150	60	50	462	0.7
One-sided reducer 450/160		160	60	50	446	0.7
One-sided reducer 450/200		200	60	50	378	0.7
One-sided reducer 450/224		224	60	50	346	0.7
One-sided reducer 450/250		250	60	50	310	0.7
One-sided reducer 450/280		280	60	50	269	0.7
One-sided reducer 450/315		315	60	50	221	0.7
One-sided reducer 450/355		355	60	60	166	0.7
One-sided reducer 450/400		400	60	60	109	0.7
One-sided reducer 500/200	500	200	80	50	447	0.7
One-sided reducer 500/224		224	80	50	414	0.7
One-sided reducer 500/250		250	80	50	378	0.7
One-sided reducer 500/280		280	80	50	337	0.7
One-sided reducer 500/315		315	80	50	289	0.7
One-sided reducer 500/355		355	80	60	234	0.7
One-sided reducer 500/400		400	80	60	177	0.7
One-sided reducer 500/450		450	80	60	109	0.7
One-sided reducer 560/200		560	200	80	50	554
One-sided reducer 560/224	224		80	50	517	0.7
One-sided reducer 560/250	250		80	50	461	0.7
One-sided reducer 560/280	280		80	50	420	0.7
One-sided reducer 560/315	315		80	50	371	0.7
One-sided reducer 560/355	355		80	60	317	0.7
One-sided reducer 560/400	400		80	60	260	0.7
One-sided reducer 560/450	450		80	60	191	0.7
One-sided reducer 560/500	500		80	80	122	0.7
One-sided reducer 600/250	600	250	80	50	516	0.7
One-sided reducer 600/280		280	80	50	475	0.7
One-sided reducer 600/315		315	80	50	427	0.7
One-sided reducer 600/355		355	80	60	372	0.7
One-sided reducer 600/400		400	80	60	315	0.7

ONE-SIDED REDUCER

Type	d1, mm	d2, mm	l1, mm	l2, mm	L, mm	p, mm
One-sided reducer 600/450	600	450	80	60	246	0.7
One-sided reducer 600/500		500	80	80	177	0.7
One-sided reducer 600/560		560	80	80	95	0.7
One-sided reducer 630/250	630	250	80	50	557	0.7
One-sided reducer 630/280		280	80	50	516	0.7
One-sided reducer 630/315		315	80	50	468	0.7
One-sided reducer 630/355		355	80	60	413	0.7
One-sided reducer 630/400		400	80	60	356	0.7
One-sided reducer 630/450		450	80	60	287	0.7
One-sided reducer 630/500		500	80	80	219	0.7
One-sided reducer 630/560		560	80	80	136	0.7
One-sided reducer 630/600		600	80	80	81	0.7
One-sided reducer 710/315	710	315	80	50	608	0.7
One-sided reducer 710/355		355	80	60	528	0.7
One-sided reducer 710/400		400	80	60	471	0.7
One-sided reducer 710/450		450	80	60	402	0.7
One-sided reducer 710/500		500	80	80	333	0.7
One-sided reducer 710/560		560	80	80	251	0.7
One-sided reducer 710/600		600	80	80	196	0.7
One-sided reducer 710/630		630	80	80	155	0.7
One-sided reducer 800/400	800	400	80	60	594	0.7
One-sided reducer 800/450		450	80	60	526	0.7
One-sided reducer 800/500		500	80	80	457	0.7
One-sided reducer 800/560		560	80	80	375	0.7
One-sided reducer 800/600		600	80	80	320	0.7
One-sided reducer 800/630		630	80	80	279	0.7
One-sided reducer 800/710		710	80	80	174	0.7
One-sided reducer 900/450	900	450	100	60	663	1
One-sided reducer 900/500		500	100	80	594	1
One-sided reducer 900/560		560	100	80	512	1
One-sided reducer 900/600		600	100	80	457	1
One-sided reducer 900/630		630	100	80	416	1
One-sided reducer 900/710		710	100	80	311	1
One-sided reducer 900/800		800	100	80	187	1
One-sided reducer 1000/500	1000	500	100	80	732	1
One-sided reducer 1000/560		560	100	80	649	1
One-sided reducer 1000/600		600	100	80	594	1
One-sided reducer 1000/630		630	100	80	553	1
One-sided reducer 1000/710		710	100	80	448	1
One-sided reducer 1000/800		800	100	80	490	1
One-sided reducer 1000/900		900	100	100	352	1
One-sided reducer 1120/1000	1120	1000	100	100	215	1
One-sided reducer 1250/630	1250	630	100	80	897	1
One-sided reducer 1250/710		710	100	80	792	1
One-sided reducer 1250/800		800	100	80	668	1
One-sided reducer 1250/900		900	100	100	531	1
One-sided reducer 1250/1000		1000	100	100	393	1
One-sided reducer 1250/1120		1120	100	100	229	1

T-joint



Type	d1, mm	d2, mm	l1, mm	l2, mm	L, mm	H, mm	p, mm
T-joint 125	125	125	50	50	165	85	0.50
T-joint 140/125	140	125	50	50	165	90	0.50
T-joint 140		140	50	50	180	90	0.50
T-joint 150/125	150	125	50	50	165	95	0.50
T-joint 150		150	50	50	190	95	0.50
T-joint 160/125	160	125	50	50	165	100	0.50
T-joint 160/140		140	50	50	180	100	0.50
T-joint 160/150		150	50	50	190	100	0.50
T-joint 160		160	50	50	200	100	0.50
T-joint 180	180	180	50	50	220	110	0.50
T-joint 200/125	200	125	50	50	165	120	0.50
T-joint 200/140		140	50	50	180	120	0.50
T-joint 200/150		150	50	50	190	120	0.50
T-joint 200/160		160	50	50	200	120	0.50
T-joint 200		200	50	50	240	120	0.50
T-joint 224/125	224	125	50	50	165	135	0.50
T-joint 224/150		150	50	50	190	135	0.50
T-joint 224/160		160	50	50	200	135	0.50
T-joint 224/200		200	50	50	240	135	0.50
T-joint 224		224	50	50	264	135	0.50
T-joint 250/125	250	125	50	50	165	145	0.50
T-joint 250/140		140	50	50	180	145	0.50
T-joint 250/150		150	50	50	190	145	0.50
T-joint 250/160		160	50	50	200	145	0.50
T-joint 250/200		200	50	50	240	145	0.50
T-joint 250/224		224	50	50	264	145	0.50
T-joint 250		250	50	50	290	145	0.50
T-joint 280/125	280	125	50	50	165	160	0.50
T-joint 280/160		160	50	50	200	160	0.50
T-joint 280/200		200	50	50	240	160	0.50
T-joint 280/250		250	50	50	290	160	0.50

T-JOINT

Type	d1, mm	d2, mm	l1, mm	l2, mm	L, mm	H, mm	p, mm
T-joint 280	280	280	50	50	320	160	0.50
T-joint 315/125	315	125	50	50	165	180	0.50
T-joint 315/140		140	50	50	180	180	0.50
T-joint 315/150		150	50	50	190	180	0.50
T-joint 315/160		160	50	50	200	180	0.50
T-joint 315/200	315	200	50	50	240	180	0.50
T-joint 315/224		224	50	50	264	180	0.50
T-joint 315/250		250	50	50	290	180	0.50
T-joint 315/280		280	50	50	320	180	0.50
T-joint 315		315	50	60	355	180	0.50
T-joint 355/125	355	125	60	50	165	200	0.50
T-joint 355/150		150	60	50	190	200	0.50
T-joint 355/160		160	60	50	200	200	0.50
T-joint 355/200		200	60	50	240	200	0.50
T-joint 355/224		224	60	50	264	200	0.50
T-joint 355/250		250	60	50	290	200	0.50
T-joint 355/280		280	60	50	320	200	0.50
T-joint 355/315		315	60	60	355	200	0.50
T-joint 355		355	60	60	395	200	0.50
T-joint 400/125		400	125	60	50	165	220
T-joint 400/150	150		60	50	190	220	0.7
T-joint 400/160	160		60	50	200	220	0.7
T-joint 400/200	200		60	50	240	220	0.7
T-joint 400/224	224		60	50	264	220	0.7
T-joint 400/250	250		60	50	290	220	0.7
T-joint 400/280	280		60	50	320	220	0.7
T-joint 400/315	315		60	60	355	220	0.7
T-joint 400/355	355		60	60	395	220	0.7
T-joint 400	400		60	60	440	220	0.7
T-joint 450/125	450	125	60	50	165	245	0.7
T-joint 450/150		150	60	50	190	245	0.7
T-joint 450/160		160	60	50	200	245	0.7
T-joint 450/200		200	60	50	240	245	0.7
T-joint 450/224		224	60	50	264	245	0.7
T-joint 450/250		250	60	50	290	245	0.7
T-joint 450/280		280	60	50	320	245	0.7
T-joint 450/315		315	60	60	355	245	0.7
T-joint 450/355		355	60	60	395	245	0.7
T-joint 450/400		400	60	60	440	245	0.7
T-joint 450	450	60	60	490	245	0.7	
T-joint 500/125	500	125	80	50	165	270	0.7
T-joint 500/150		150	80	50	190	270	0.7
T-joint 500/160		160	80	50	200	270	0.7
T-joint 500/200		200	80	50	240	270	0.7
T-joint 500/224		224	80	50	264	270	0.7
T-joint 500/250		250	80	50	290	270	0.7
T-joint 500/280		280	80	50	320	270	0.7
T-joint 500/315		315	80	50	355	270	0.7

T-JOINT

Type	d1, mm	d2, mm	l1, mm	l2, mm	L, mm	H, mm	p, mm
T-joint 500/355	500	355	80	60	395	270	0.7
T-joint 500/400		400	80	60	440	270	0.7
T-joint 500/450		450	80	60	490	270	0.7
T-joint 500		500	80	80	540	270	0.7
T-joint 560/125	560	125	80	50	165	300	0.7
T-joint 560/150		150	80	50	190	300	0.7
T-joint 560/160		160	80	50	200	300	0.7
T-joint 560/200		200	80	50	240	300	0.7
T-joint 560/224		224	80	50	265	300	0.7
T-joint 560/250		250	80	50	290	300	0.7
T-joint 560/280		280	80	50	320	300	0.7
T-joint 560/315		315	80	50	355	300	0.7
T-joint 560/355		355	80	60	395	300	0.7
T-joint 560/400		400	80	60	440	300	0.7
T-joint 560/450		450	80	60	490	300	0.7
T-joint 560/500	560	500	80	80	540	300	0.7
T-joint 560		560	80	80	600	300	0.7
T-joint 600/224	600	224	80	50	265	320	0.7
T-joint 600/250		250	80	50	290	320	0.7
T-joint 600/315		315	80	50	355	320	0.7
T-joint 600/355		355	80	60	395	320	0.7
T-joint 600/400		400	80	60	440	320	0.7
T-joint 600/450		450	80	60	490	320	0.7
T-joint 600/500		500	80	80	540	320	0.7
T-joint 600/560		560	80	80	600	320	0.7
T-joint 600		600	80	80	640	320	0.7
T-joint 630/125		630	125	80	50	165	335
T-joint 630/160	160		80	50	200	335	0.7
T-joint 630/200	200		80	50	240	335	0.7
T-joint 630/224	224		80	50	265	335	0.7
T-joint 630/250	250		80	50	290	335	0.7
T-joint 630/280	280		80	50	320	335	0.7
T-joint 630/315	315		80	50	355	335	0.7
T-joint 630/355	355		80	60	395	335	0.7
T-joint 630/400	400		80	60	440	335	0.7
T-joint 630/450	450		80	60	490	335	0.7
T-joint 630/500	500		80	80	540	335	0.7
T-joint 630/560	560		80	80	600	335	0.7
T-joint 630/600	600		80	80	640	335	0.7
T-joint 630	630		80	80	670	335	0.7
T-joint 710/125	710		125	80	50	165	375
T-joint 710/160		160	80	50	200	375	0.7
T-joint 710/200		200	80	50	240	375	0.7
T-joint 710/224		224	80	50	265	375	0.7
T-joint 710/250		250	80	50	290	375	0.7
T-joint 710/280		280	80	50	320	375	0.7
T-joint 710/315		315	80	50	355	375	0.7
T-joint 710/355		355	80	60	395	375	0.7

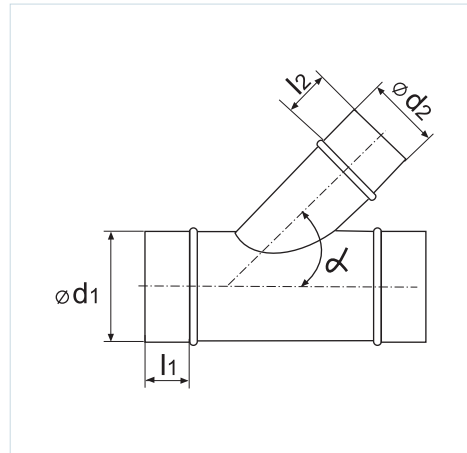
T-JOINT

Type	d1, mm	d2, mm	l1, mm	l2, mm	L, mm	H, mm	p, mm
T-joint 710/400	710	400	80	60	440	375	0.7
T-joint 710/450		450	80	60	490	375	0.7
T-joint 710/500		500	80	80	540	375	0.7
T-joint 710/560		560	80	80	600	375	0.7
T-joint 710/600		600	80	80	640	375	0.7
T-joint 710/630		630	80	80	670	375	0.7
T-joint 710		710	80	80	750	375	0.7
T-joint 800/125	800	125	80	50	165	420	0.7
T-joint 800/160		160	80	50	200	420	0.7
T-joint 800/200		200	80	50	240	420	0.7
T-joint 800/250		250	80	50	290	420	0.7
T-joint 800/280		280	80	50	320	420	0.7
T-joint 800/315		315	80	50	355	420	0.7
T-joint 800/355		355	80	60	395	420	0.7
T-joint 800/400		400	80	60	440	420	0.7
T-joint 800/450		450	80	60	490	420	0.7
T-joint 800/500		500	80	80	540	420	0.7
T-joint 800/560		560	80	80	600	420	0.7
T-joint 800/600		600	80	80	640	420	0.7
T-joint 800/630		630	80	80	670	420	0.7
T-joint 800/710		710	80	80	750	420	0.7
T-joint 800		800	80	80	840	420	0.7
T-joint 900/125	900	125	100	50	165	470	1
T-joint 900/160		160	100	50	200	470	1
T-joint 900/200		200	100	50	240	470	1
T-joint 900/250		250	100	50	290	470	1
T-joint 900/280		280	100	50	320	470	1
T-joint 900/315		315	100	50	355	470	1
T-joint 900/355		355	100	60	395	470	1
T-joint 900/400		400	100	60	440	470	1
T-joint 900/450		450	100	60	490	470	1
T-joint 900/500		500	100	80	540	470	1
T-joint 900/560		560	100	80	600	470	1
T-joint 900/600		600	100	80	640	470	1
T-joint 900/630		630	100	80	670	470	1
T-joint 900/710		710	100	80	750	470	1
T-joint 900/800		800	100	80	840	470	1
T-joint 900	900	100	100	940	470	1	
T-joint 1000/125	1000	125	100	50	165	520	1
T-joint 1000/160		160	100	50	200	520	1
T-joint 1000/200		200	100	50	240	520	1
T-joint 1000/250		250	100	50	290	520	1
T-joint 1000/280		280	100	50	320	520	1
T-joint 1000/315		315	100	50	355	520	1
T-joint 1000/355		355	100	60	395	520	1
T-joint 1000/400		400	100	60	440	520	1
T-joint 1000/450		450	100	60	490	520	1
T-joint 1000/500		500	100	80	540	520	1

T-JOINT

Type	d1, mm	d2, mm	l1, mm	l2, mm	L, mm	H, mm	p, mm
T-joint 1000/560	1000	560	100	80	600	520	1
T-joint 1000/600		600	100	80	640	520	1
T-joint 1000/630		630	100	80	670	520	1
T-joint 1000/710		710	100	80	750	520	1
T-joint 1000/800		800	100	80	840	520	1
T-joint 1000/900		900	100	100	940	520	1
T-joint 1000		1000	100	100	1040	520	1
T-joint 1120/125	1120	125	100	50	165	580	1
T-joint 1120/160		160	100	50	200	580	1
T-joint 1120/200		200	100	50	240	580	1
T-joint 1120/250		250	100	50	290	580	1
T-joint 1120/280		280	100	50	320	580	1
T-joint 1120/315		315	100	50	355	580	1
T-joint 1120/355		355	100	60	395	580	1
T-joint 1120/400		400	100	60	440	580	1
T-joint 1120/450		450	100	60	490	580	1
T-joint 1120/500		500	100	80	540	580	1
T-joint 1120/560		560	100	80	600	580	1
T-joint 1120/600		600	100	80	640	580	1
T-joint 1120/630		630	100	80	670	580	1
T-joint 1120/710		710	100	80	750	580	1
T-joint 1120/800		800	100	80	840	580	1
T-joint 1120/900		900	100	100	940	580	1
T-joint 1120/1000		1000	100	100	1040	580	1
T-joint 1120	1120	100	100	1160	580	1	
T-joint 1250/125	1250	125	100	50	165	645	1
T-joint 1250/160		160	100	50	200	645	1
T-joint 1250/200		200	100	50	240	645	1
T-joint 1250/250		250	100	50	290	645	1
T-joint 1250/280		280	100	50	320	645	1
T-joint 1250/315		315	100	50	355	645	1
T-joint 1250/355		355	100	60	395	645	1
T-joint 1250/400		400	100	60	440	645	1
T-joint 1250/450		450	100	60	490	645	1
T-joint 1250/500		500	100	80	540	645	1
T-joint 1250/560		560	100	80	600	645	1
T-joint 1250/600		600	100	80	640	645	1
T-joint 1250/630		630	100	80	670	645	1
T-joint 1250/710		710	100	80	750	645	1
T-joint 1250/800		800	100	80	840	645	1
T-joint 1250/900		900	100	100	940	645	1
T-joint 1250/1000		1000	100	100	1040	645	1
T-joint 1250/1120	1120	100	100	1160	645	1	
T-joint 1250	1250	100	100	1290	645	1	

Angular T-joint



Type	d1, mm	d2, mm	α	l1, mm	l2, mm	p, mm
Angular T-joint 125-45	125	125	45	50	50	0.50
Angular T-joint 140/125-45	140	125	45	50	50	0.50
Angular T-joint 140-45		140	45	50	50	0.50
Angular T-joint 150/125-45	150	125	45	50	50	0.50
Angular T-joint 150-45		150	45	50	50	0.50
Angular T-joint 160/125-45	160	125	45	50	50	0.50
Angular T-joint 160/140-45		140	45	50	50	0.50
Angular T-joint 160/150-45		150	45	50	50	0.50
Angular T-joint 160-45		160	45	50	50	0.50
Angular T-joint 200/125-45	200	125	45	50	50	0.50
Angular T-joint 200/140-45		140	45	50	50	0.50
Angular T-joint 200/150-45		150	45	50	50	0.50
Angular T-joint 200/160-45		160	45	50	50	0.50
Angular T-joint 200-45		200	45	50	50	0.50
Angular T-joint 224/125-45	224	125	45	50	50	0.50
Angular T-joint 224/150-45		150	45	50	50	0.50
Angular T-joint 224/160-45		160	45	50	50	0.50
Angular T-joint 224/200-45		200	45	50	50	0.50
Angular T-joint 224-45		224	45	50	50	0.50
Angular T-joint 250/125-45	250	125	45	50	50	0.50
Angular T-joint 250/140-45		140	45	50	50	0.50
Angular T-joint 250/150-45		150	45	50	50	0.50
Angular T-joint 250/160-45		160	45	50	50	0.50
Angular T-joint 250/200-45		200	45	50	50	0.50
Angular T-joint 250/224-45		224	45	50	50	0.50
Angular T-joint 250-45		250	45	50	50	0.50
Angular T-joint 280/125-45	280	125	45	50	50	0.50
Angular T-joint 280/160-45		160	45	50	50	0.50
Angular T-joint 280/200-45		200	45	50	50	0.50
Angular T-joint 280/250-45		250	45	50	50	0.50
Angular T-joint 280-45		280	45	50	50	0.50

ANGULAR T-JOINT

Type	d1, mm	d2, mm	α	l1, mm	l2, mm	p, mm
Angular T-joint 315/125-45	315	125	45	50	50	0.50
Angular T-joint 315/140-45		140	45	50	50	0.50
Angular T-joint 315/150-45		150	45	50	50	0.50
Angular T-joint 315/160-45		160	45	50	50	0.50
Angular T-joint 315/200-45		200	45	50	50	0.50
Angular T-joint 315/224-45		224	45	50	50	0.50
Angular T-joint 315/250-45	315	250	45	50	50	0.50
Angular T-joint 315/280-45		280	45	50	50	0.50
Angular T-joint 315-45		315	45	50	60	0.50
Angular T-joint 355/125-45	355	125	45	60	50	0.50
Angular T-joint 355/150-45		150	45	60	50	0.50
Angular T-joint 355/160-45		160	45	60	50	0.50
Angular T-joint 355/200-45		200	45	60	50	0.50
Angular T-joint 355/224-45		224	45	60	50	0.50
Angular T-joint 355/250-45		250	45	60	50	0.50
Angular T-joint 355/280-45		280	45	60	50	0.50
Angular T-joint 355/315-45		315	45	60	60	0.50
Angular T-joint 355-45	355	45	60	60	0.50	
Angular T-joint 400/125	400	125	45	60	50	0.7
Angular T-joint 400/150		150	45	60	50	0.7
Angular T-joint 400/160		160	45	60	50	0.7
Angular T-joint 400/200		200	45	60	50	0.7
Angular T-joint 400/224		224	45	60	50	0.7
Angular T-joint 400/250		250	45	60	50	0.7
Angular T-joint 400/280		280	45	60	50	0.7
Angular T-joint 400/315		315	45	60	60	0.7
Angular T-joint 400/355		355	45	60	60	0.7
Angular T-joint 400		400	45	60	60	0.7
Angular T-joint 450/125-45	450	125	45	60	50	0.7
Angular T-joint 450/150-45		150	45	60	50	0.7
Angular T-joint 450/160-45		160	45	60	50	0.7
Angular T-joint 450/200-45		200	45	60	50	0.7
Angular T-joint 450/224-45		224	45	60	50	0.7
Angular T-joint 450/250-45		250	45	60	50	0.7
Angular T-joint 450/280-45		280	45	60	50	0.7
Angular T-joint 450/315-45		315	45	60	60	0.7
Angular T-joint 450/355-45		355	45	60	60	0.7
Angular T-joint 450/400-45		400	45	60	60	0.7
Angular T-joint 450-45	450	45	60	60	0.7	
Angular T-joint 500/125-45	500	125	45	80	50	0.7
Angular T-joint 500/150-45		150	45	80	50	0.7
Angular T-joint 500/160-45		160	45	80	50	0.7
Angular T-joint 500/200-45		200	45	80	50	0.7
Angular T-joint 500/224-45		224	45	80	50	0.7
Angular T-joint 500/250-45		250	45	80	50	0.7
Angular T-joint 500/280-45		280	45	80	50	0.7
Angular T-joint 500/315-45		315	45	80	50	0.7

ANGULAR T-JOINT

Type	d1, mm	d2, mm	α	l1, mm	l2, mm	p, mm
Angular T-joint 500/355-45	500	355	45	80	60	0.7
Angular T-joint 500/400-45		400	45	80	60	0.7
Angular T-joint 500/450-45		450	45	80	60	0.7
Angular T-joint 500-45		500	45	80	80	0.7
Angular T-joint 560/125-45	560	125	45	80	50	0.7
Angular T-joint 560/150-45		150	45	80	50	0.7
Angular T-joint 560/160-45		160	45	80	50	0.7
Angular T-joint 560/200-45		200	45	80	50	0.7
Angular T-joint 560/224-45		224	45	80	50	0.7
Angular T-joint 560/250-45		250	45	80	50	0.7
Angular T-joint 560/280-45		280	45	80	50	0.7
Angular T-joint 560/315-45		315	45	80	50	0.7
Angular T-joint 560/355-45		355	45	80	60	0.7
Angular T-joint 560/400-45		400	45	80	60	0.7
Angular T-joint 560/450-45	560	450	45	80	60	0.7
Angular T-joint 560/500-45		500	45	80	80	0.7
Angular T-joint 560-45		560	45	80	80	0.7
Angular T-joint 600/224-45		600	224	45	80	50
Angular T-joint 600/250-45	250		45	80	50	0.7
Angular T-joint 600/315-45	315		45	80	50	0.7
Angular T-joint 600/355-45	355		45	80	60	0.7
Angular T-joint 600/400-45	400		45	80	60	0.7
Angular T-joint 600/450-45	450		45	80	60	0.7
Angular T-joint 600/500-45	500		45	80	80	0.7
Angular T-joint 600/560-45	560		45	80	80	0.7
Angular T-joint 600-45	600		45	80	80	0.7
Angular T-joint 630/125-45	630		125	45	80	50
Angular T-joint 630/160-45		160	45	80	50	0.7
Angular T-joint 630/200-45		200	45	80	50	0.7
Angular T-joint 630/224-45		224	45	80	50	0.7
Angular T-joint 630/250-45		250	45	80	50	0.7
Angular T-joint 630/280-45		280	45	80	50	0.7
Angular T-joint 630/315-45		315	45	80	50	0.7
Angular T-joint 630/355-45		355	45	80	60	0.7
Angular T-joint 630/400-45		400	45	80	60	0.7
Angular T-joint 630/450-45		450	45	80	60	0.7
Angular T-joint 630/500-45		500	45	80	80	0.7
Angular T-joint 630/560-45		560	45	80	80	0.7
Angular T-joint 630/600-45		600	45	80	80	0.7
Angular T-joint 630-45		630	45	80	80	0.7
Angular T-joint 710/125-45	710	125	45	80	50	0.7
Angular T-joint 710/160-45		160	45	80	50	0.7
Angular T-joint 710/200-45		200	45	80	50	0.7
Angular T-joint 710/224-45		224	45	80	50	0.7
Angular T-joint 710/250-45		250	45	80	50	0.7
Angular T-joint 710/280-45		280	45	80	50	0.7
Angular T-joint 710/315-45		315	45	80	50	0.7
Angular T-joint 710/355-45		355	45	80	60	0.7

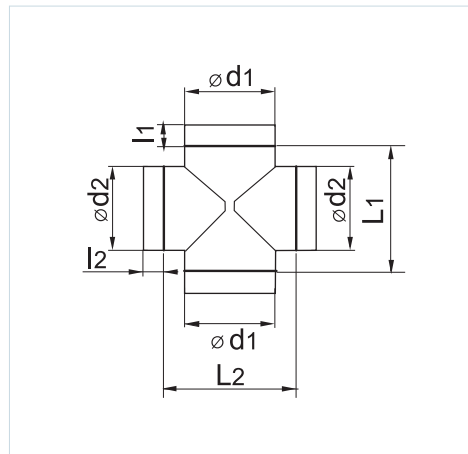
ANGULAR T-JOINT

Type	d1, mm	d2, mm	α	l1, mm	l2, mm	p, mm
Angular T-joint 710/400-45	710	400	45	80	60	0.7
Angular T-joint 710/450-45		450	45	80	60	0.7
Angular T-joint 710/500-45		500	45	80	80	0.7
Angular T-joint 710/560-45		560	45	80	80	0.7
Angular T-joint 710/600-45		600	45	80	80	0.7
Angular T-joint 710/630-45		630	45	80	80	0.7
Angular T-joint 710-45		710	45	80	80	0.7
Angular T-joint 800/125-45	800	125	45	80	50	0.7
Angular T-joint 800/160-45		160	45	80	50	0.7
Angular T-joint 800/200-45		200	45	80	50	0.7
Angular T-joint 800/250-45		250	45	80	50	0.7
Angular T-joint 800/280-45		280	45	80	50	0.7
Angular T-joint 800/315-45		315	45	80	50	0.7
Angular T-joint 800/355-45		355	45	80	60	0.7
Angular T-joint 800/400-45		400	45	80	60	0.7
Angular T-joint 800/450-45		450	45	80	60	0.7
Angular T-joint 800/500-45		500	45	80	80	0.7
Angular T-joint 800/560-45		560	45	80	80	0.7
Angular T-joint 800/600-45		600	45	80	80	0.7
Angular T-joint 800/630-45		630	45	80	80	0.7
Angular T-joint 800/710-45	710	45	80	80	0.7	
Angular T-joint 800-45	800	800	45	80	80	0.7
Angular T-joint 900/125-45	900	125	45	100	50	1
Angular T-joint 900/160-45		160	45	100	50	1
Angular T-joint 900/200-45		200	45	100	50	1
Angular T-joint 900/250-45		250	45	100	50	1
Angular T-joint 900/280-45		280	45	100	50	1
Angular T-joint 900/315-45		315	45	100	50	1
Angular T-joint 900/355-45		355	45	100	60	1
Angular T-joint 900/400-45		400	45	100	60	1
Angular T-joint 900/450-45		450	45	100	60	1
Angular T-joint 900/500-45		500	45	100	80	1
Angular T-joint 900/560-45		560	45	100	80	1
Angular T-joint 900/600-45		600	45	100	80	1
Angular T-joint 900/630-45		630	45	100	80	1
Angular T-joint 900/710-45	710	45	100	80	1	
Angular T-joint 900/800-45	800	45	100	80	1	
Angular T-joint 900-45	900	900	45	100	100	1
Angular T-joint 1000/125-45	1000	125	45	100	50	1
Angular T-joint 1000/160-45		160	45	100	50	1
Angular T-joint 1000/200-45		200	45	100	50	1
Angular T-joint 1000/250-45		250	45	100	50	1
Angular T-joint 1000/280-45		280	45	100	50	1
Angular T-joint 1000/315-45		315	45	100	50	1
Angular T-joint 1000/355-45		355	45	100	60	1
Angular T-joint 1000/400-45		400	45	100	60	1
Angular T-joint 1000/450-45		450	45	100	60	1
Angular T-joint 1000/500-45		500	45	100	80	1

ANGULAR T-JOINT

Type	d1, mm	d2, mm	α	l1, mm	l2, mm	p, mm
Angular T-joint 1000/560-45	1000	560	45	100	80	1
Angular T-joint 1000/600-45		600	45	100	80	1
Angular T-joint 1000/630-45		630	45	100	80	1
Angular T-joint 1000/710-45		710	45	100	80	1
Angular T-joint 1000/800-45		800	45	100	80	1
Angular T-joint 1000/900-45		900	45	100	100	1
Angular T-joint 1000-45		1000	45	100	100	1
Angular T-joint 1120/125-45	1120	125	45	100	50	1
Angular T-joint 1120/160-45		160	45	100	50	1
Angular T-joint 1120/200-45		200	45	100	50	1
Angular T-joint 1120/250-45		250	45	100	50	1
Angular T-joint 1120/280-45		280	45	100	50	1
Angular T-joint 1120/315-45		315	45	100	50	1
Angular T-joint 1120/355-45		355	45	100	60	1
Angular T-joint 1120/400-45		400	45	100	60	1
Angular T-joint 1120/450-45		450	45	100	60	1
Angular T-joint 1120/500-45		500	45	100	80	1
Angular T-joint 1120/560-45		560	45	100	80	1
Angular T-joint 1120/600-45		600	45	100	80	1
Angular T-joint 1120/630-45		630	45	100	80	1
Angular T-joint 1120/710-45		710	45	100	80	1
Angular T-joint 1120/800-45		800	45	100	80	1
Angular T-joint 1120/900-45		900	45	100	100	1
Angular T-joint 1120/1000-45		1000	45	100	100	1
Angular T-joint 1120-45	1120	45	100	100	1	
Angular T-joint 1250/125-45	1250	125	45	100	50	1
Angular T-joint 1250/160-45		160	45	100	50	1
Angular T-joint 1250/200-45		200	45	100	50	1
Angular T-joint 1250/250-45	1250	250	45	100	50	1
Angular T-joint 1250/280-45		280	45	100	50	1
Angular T-joint 1250/315-45		315	45	100	50	1
Angular T-joint 1250/355-45		355	45	100	60	1
Angular T-joint 1250/400-45		400	45	100	60	1
Angular T-joint 1250/450-45		450	45	100	60	1
Angular T-joint 1250/500-45		500	45	100	80	1
Angular T-joint 1250/560-45		560	45	100	80	1
Angular T-joint 1250/600-45		600	45	100	80	1
Angular T-joint 1250/630-45		630	45	100	80	1
Angular T-joint 1250/710-45		710	45	100	80	1
Angular T-joint 1250/800-45		800	45	100	80	1
Angular T-joint 1250/900-45		900	45	100	100	1
Angular T-joint 1250/1000-45		1000	45	100	100	1
Angular T-joint 1250/1120-45		1120	45	100	100	1
Angular T-joint 1250-45	1250	45	100	100	1	

Cross-tee



Type	d1, mm	d2, mm	l1, mm	l2, mm	L1, mm	L2, mm	p, mm
Cross-tee 125	125	125	50	50	166	166	0.50
Cross-tee 140/125	140	125	50	50	240	230	0.50
Cross-tee 140		140	50	50	230	180	0.50
Cross-tee 150/125	150	125	50	50	215	190	0.50
Cross-tee 150		150	50	50	260	190	0.50
Cross-tee 160/125	160	125	50	50	215	200	0.50
Cross-tee 160/150		150	50	50	260	200	0.50
Cross-tee 160		160	50	50	210	210	0.50
Cross-tee 200/125	200	125	50	50	215	230	0.50
Cross-tee 200/150		150	50	50	260	240	0.50
Cross-tee 200/160		160	50	50	260	250	0.50
Cross-tee 200		200	50	50	250	250	0.50
Cross-tee 224/125	224	125	50	50	215	264	0.50
Cross-tee 224/150		150	50	50	260	264	0.50
Cross-tee 224/160		160	50	50	260	274	0.50
Cross-tee 224/200		200	50	50	346	274	0.50
Cross-tee 224		224	50	50	346	274	0.50
Cross-tee 250/125	250	125	50	50	220	290	0.50
Cross-tee 250/150		150	50	50	255	290	0.50
Cross-tee 250/160		160	50	50	256	300	0.50
Cross-tee 250/200		200	50	50	306	300	0.50
Cross-tee 250/224		224	50	50	350	300	0.50
Cross-tee 250		250	50	50	300	300	0.50
Cross-tee 280/125	280	125	50	50	220	320	0.50
Cross-tee 280/160		160	50	50	256	330	0.50
Cross-tee 280/200		200	50	50	306	330	0.50
Cross-tee 280/224		224	50	50	350	330	0.50
Cross-tee 280/250		250	50	50	385	410	0.50
Cross-tee 280		280	50	50	430	430	0.50
Cross-tee 315/125	315	125	50	50	220	356	0.50
Cross-tee 315/150		150	50	50	255	356	0.50

CROSS-TEE

Type	d1, mm	d2, mm	l1, mm	l2, mm	L1, mm	L2, mm	p, mm
Cross-tee 315/160	315	160	50	50	256	364	0.50
Cross-tee 315/200		200	50	50	306	364	0.50
Cross-tee 315/224		224	50	50	350	364	0.50
Cross-tee 315/250		250	50	50	350	364	0.50
Cross-tee 315/280		280	50	50	435	470	0.50
Cross-tee 315		315	50	50	364	364	0.50
Cross-tee 355/125	355	125	60	50	220	396	0.50
Cross-tee 355/150		150	60	50	255	396	0.50
Cross-tee 355/160		160	60	50	256	406	0.50
Cross-tee 355/200		200	60	50	306	406	0.50
Cross-tee 355/224		224	60	50	350	406	0.50
Cross-tee 355/250		250	60	50	350	406	0.50
Cross-tee 355/280		280	60	50	435	490	0.50
Cross-tee 355/315		315	60	50	470	510	0.50
Cross-tee 355	355	60	60	530	530	0.50	
Cross-tee 400/125	400	125	60	50	225	440	0.7
Cross-tee 400/150		150	60	50	255	440	0.7
Cross-tee 400/160		160	60	50	266	450	0.7
Cross-tee 400/200		200	60	50	300	450	0.7
Cross-tee 400/224		224	60	50	350	450	0.7
Cross-tee 400/250		250	60	50	350	450	0.7
Cross-tee 400/280		280	60	50	435	550	0.7
Cross-tee 400/315		315	60	50	415	450	0.7
Cross-tee 400/355		355	60	60	470	450	0.7
Cross-tee 400		400	60	60	510	450	0.7
Cross-tee 450/125	450	125	60	50	225	490	0.7
Cross-tee 450/160		160	60	50	266	500	0.7
Cross-tee 450/200		200	60	50	300	500	0.7
Cross-tee 450/224		224	60	50	350	500	0.7
Cross-tee 450/250		250	60	50	350	500	0.7
Cross-tee 450/280		280	60	50	435	600	0.7
Cross-tee 450/315		315	60	50	415	500	0.7
Cross-tee 450/355		355	60	60	525	620	0.7
Cross-tee 450/400		400	60	60	510	500	0.7
Cross-tee 450		450	60	60	620	620	0.7
Cross-tee 500/125	500	125	80	50	225	540	0.7
Cross-tee 500/160		160	80	50	266	550	0.7
Cross-tee 500/200		200	80	50	300	550	0.7
Cross-tee 500/224		224	80	50	350	550	0.7
Cross-tee 500/250		250	80	50	350	550	0.7
Cross-tee 500/315		315	80	50	415	550	0.7
Cross-tee 500/355		355	80	60	470	550	0.7
Cross-tee 500/400		400	80	60	510	550	0.7
Cross-tee 500/450		450	80	60	615	710	0.7
Cross-tee 500		500	80	80	680	680	0.7
Cross-tee 560/200	560	200	80	50	300	610	0.7
Cross-tee 560/224		224	80	50	350	610	0.7

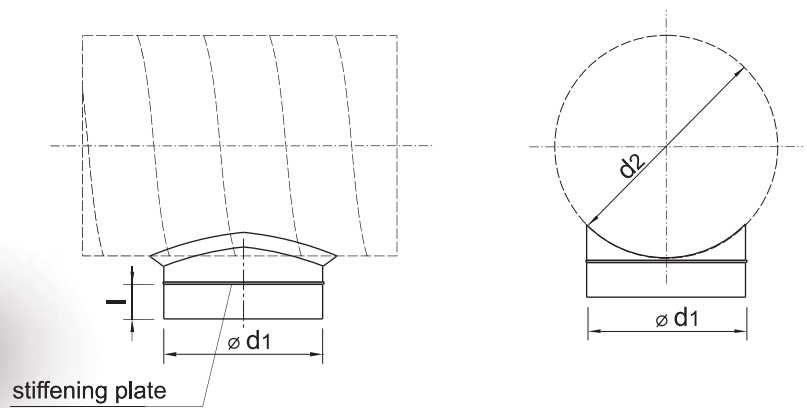
CROSS-TEE

Type	d1, mm	d2, mm	l1, mm	l2, mm	L1, mm	L2, mm	p, mm
Cross-tee 560/250	560	250	80	50	350	610	0.7
Cross-tee 560/315		315	80	60	415	610	0.7
Cross-tee 560/355		355	80	60	520	730	0.7
Cross-tee 560/400		400	80	60	510	610	0.7
Cross-tee 560/450		450	80	60	615	730	0.7
Cross-tee 560/500		500	80	80	670	740	0.7
Cross-tee 560		560	80	80	730	740	0.7
Cross-tee 600/250	600	250	80	50	350	650	0.7
Cross-tee 600/315		315	80	50	415	650	0.7
Cross-tee 600/355		355	80	60	510	650	0.7
Cross-tee 600/400		400	80	60	510	650	0.7
Cross-tee 600/450		450	80	60	615	770	0.7
Cross-tee 600/500		500	80	80	670	780	0.7
Cross-tee 600/560		560	80	80	730	780	0.7
Cross-tee 600	600	80	80	770	780	0.7	
Cross-tee 630/315	630	315	80	50	415	680	0.7
Cross-tee 630/355		355	80	60	530	800	0.7
Cross-tee 630/400		400	80	60	510	680	0.7
Cross-tee 630/450		450	80	60	625	800	0.7
Cross-tee 630/500		500	80	80	680	810	0.7
Cross-tee 630/560		560	80	80	740	810	0.7
Cross-tee 630/600		600	80	80	780	810	0.7
Cross-tee 630	630	80	80	810	810	0.7	
Cross-tee 710/315	710	315	80	50	530	860	0.7
Cross-tee 710/355		355	80	60	580	880	0.7
Cross-tee 710/400		400	80	60	625	880	0.7
Cross-tee 710/450		450	80	60	675	880	0.7
Cross-tee 710/500		500	80	80	730	890	0.7
Cross-tee 710/560		560	80	80	790	890	0.7
Cross-tee 710/600		600	80	80	830	890	0.7
Cross-tee 710/630	630	80	80	860	890	0.7	
Cross-tee 710	710	80	80	940	890	0.7	
Cross-tee 800/315	800	315	80	50	530	950	0.7
Cross-tee 800/355		355	80	60	580	970	0.7
Cross-tee 800/400		400	80	60	625	970	0.7
Cross-tee 800/450		450	80	60	675	970	0.7
Cross-tee 800/500		500	80	80	730	980	0.7
Cross-tee 800/560		560	80	80	790	980	0.7
Cross-tee 800/600		600	80	80	830	980	0.7
Cross-tee 800/630	630	80	80	860	980	0.7	
Cross-tee 800/710	710	80	80	940	980	0.7	
Cross-tee 800	800	80	80	1030	980	0.7	
Cross-tee 900/400	900	400	100	60	625	1070	1
Cross-tee 900/450		450	100	60	675	1070	1
Cross-tee 900/500		500	100	80	730	1080	1
Cross-tee 900/560		560	100	80	790	1080	1
Cross-tee 900/600		600	100	80	830	1080	1

CROSS-TEE

Type	d1, mm	d2, mm	l1, mm	l2, mm	L1, mm	L2, mm	p, mm
Cross-tee 900/630	900	630	100	80	860	1080	1
Cross-tee 900/710		710	100	80	940	1080	1
Cross-tee 900/800		800	100	80	1030	1080	1
Cross-tee 900		900	100	100	1150	1080	1
Cross-tee 1000/500	1000	500	100	80	730	1180	1
Cross-tee 1000/560		560	100	80	790	1180	1
Cross-tee 1000/600		600	100	80	830	1180	1
Cross-tee 1000/630		630	100	80	860	1180	1
Cross-tee 1000/710		710	100	80	940	1180	1
Cross-tee 1000/800		800	100	80	1030	1180	1
Cross-tee 1000/900		900	100	100	4450	1180	1
Cross-tee 1000		1000	100	100	1250	1180	1
Cross-tee 1250/560	1250	560	100	80	790	1430	1
Cross-tee 1250/600		600	100	80	830	1430	1
Cross-tee 1250/630		630	100	80	860	1430	1
Cross-tee 1250/710		710	100	80	940	1430	1
Cross-tee 1250/800		800	100	80	1030	1430	1
Cross-tee 1250/900		900	100	100	1150	1430	1
Cross-tee 1250/1000		1000	100	100	1250	1430	1

Saddle



Type	d1, mm	d2, mm	l, mm	p, mm
Saddle 125/125	125	125	50	0.50
Saddle 150/125		150	50	0.50
Saddle 160/125		160	50	0.50
Saddle 200/140		200	50	0.50
Saddle 224/125		224	50	0.50
Saddle 250/125		250	50	0.50
Saddle 315/125		315	50	0.50
Saddle 355/125		355	60	0.50
Saddle 400/125		400	60	0.50
Saddle 150/150	150	150	50	0.50
Saddle 160/150		160	50	0.50
Saddle 200/150		200	50	0.50
Saddle 224/150		224	50	0.50
Saddle 250/150		250	50	0.50
Saddle 315/150		315	50	0.50
Saddle 355/150		355	60	0.50
Saddle 400/150		400	60	0.50
Saddle 160/160	160	160	50	0.50
Saddle 200/160		200	50	0.50
Saddle 224/160		224	50	0.50
Saddle 250/160		250	50	0.50
Saddle 315/160		315	50	0.50
Saddle 355/160		355	60	0.50
Saddle 400/160		400	60	0.50
Saddle 200/200	200	200	50	0.50
Saddle 224/200		224	50	0.50
Saddle 250/200		250	50	0.50
Saddle 315/200		315	50	0.50
Saddle 355/200		355	60	0.50
Saddle 400/200		400	60	0.50
Saddle 450/200		450	60	0.50

SADDLE FOR STRAIGHT AIR DUCT SEGMENT

Type	d1, mm	d2, mm	l, mm	p, mm	
Saddle 500/200	200	500	60	0.50	
Saddle 224/224		224	50	0.50	
Saddle 250/224		250	50	0.50	
Saddle 315/224		315	50	0.50	
Saddle 355/224		355	60	0.50	
Saddle 400/224		400	60	0.50	
Saddle 450/224		450	60	0.50	
Saddle 500/224		500	60	0.50	
Saddle 250/250		250	250	50	0.50
Saddle 315/250	315		50	0.50	
Saddle 355/250	355		60	0.50	
Saddle 400/250	400		60	0.50	
Saddle 450/250	450		60	0.50	
Saddle 500/250	500		80	0.50	
Saddle 560/250	560		80	0.50	
Saddle 315/315	315		315	50	0.50
Saddle 355/315			355	60	0.50
Saddle 400/315		400	60	0.50	
Saddle 450/315		450	60	0.50	
Saddle 500/315		500	80	0.50	
Saddle 560/315		560	80	0.50	
Saddle 600/315		600	80	0.50	
Saddle 355/355		355	355	60	0.50
Saddle 400/355			400	60	0.50
Saddle 450/355	450		60	0.50	
Saddle 500/355	500		80	0.50	
Saddle 560/355	560		80	0.50	
Saddle 600/355	600		80	0.50	
Saddle 630/355	630		80	0.50	
Saddle 400/400	400		400	60	0.7
Saddle 450/400			450	60	0.7
Saddle 500/400		500	80	0.7	
Saddle 560/400		560	80	0.7	
Saddle 600/400		600	80	0.7	
Saddle 630/400		630	80	0.7	
Saddle 710/400		710	80	0.7	
Saddle 800/400		800	80	0.7	
Saddle 450/450		450	450	60	0.7
Saddle 500/450	500		80	0.7	
Saddle 560/450	560		80	0.7	
Saddle 600/450	600		80	0.7	
Saddle 630/450	630		80	0.7	
Saddle 710/450	710		80	0.7	
Saddle 800/450	800		80	0.7	

SADDLE FOR STRAIGHT AIR DUCT SEGMENT

Type	d1, mm	d2, mm	l, mm	p, mm	
Saddle 500/500	500	500	80	0.7	
Saddle 560/500		560	80	0.7	
Saddle 600/500		600	80	0.7	
Saddle 630/500		630	80	0.7	
Saddle 710/500		710	80	0.7	
Saddle 800/500		800	80	0.7	
Saddle 560/560		560	560	80	0.7
Saddle 600/560	600		80	0.7	
Saddle 630/560	630		80	0.7	
Saddle 710/560	710		80	0.7	
Saddle 800/560	800		80	0.7	
Saddle 900/560	900		100	0.7	
Saddle 1000/560	1000		100	0.7	
Saddle 600/600	600	600	80	0.7	
Saddle 630/600		630	80	0.7	
Saddle 710/600		710	80	0.7	
Saddle 800/600		800	80	0.7	
Saddle 900/600		900	100	0.7	
Saddle 1000/600		1000	100	0.7	
Saddle 630/630		630	630	80	0.7
Saddle 710/630	710		80	0.7	
Saddle 800/630	800		80	0.7	
Saddle 900/630	900		80	0.7	
Saddle 1000/630	1000		100	0.7	
Saddle 1250/630	1250		100	0.7	
Saddle 710/710	710		710	80	0.7
Saddle 800/710		800	80	0.7	
Saddle 900/710		900	100	0.7	
Saddle 1000/710		1000	100	0.7	
Saddle 1250/710		1250	100	0.7	
Saddle 800/800		800	800	80	0.7
Saddle 900/800			900	100	0.7
Saddle 1000/800	1000		100	0.7	
Saddle 1250/800	1250		100	0.7	
Saddle 900/900	900		900	100	1
Saddle 1000/900			1000	100	1
Saddle 1250/900			1250	100	1
Saddle 1000/1000		1000	1000	100	1
Saddle 1250/1000			1250	100	1
Saddle 1250/1120			1120	1250	100
Saddle 1250/1250		1250	1250	100	1

ventilation systems
www.ventilation-system.com

Spirally wound ducts



VENTS reserves the rights to modify any of its products' features, designs, components and specifications at any time and without notice to maintain the development and quality of manufactured goods.

06/2014

