

USER'S MANUAL

VUTV(1)(B) EC
VUEV(1)(B) EC



Heat and energy recovery
air handling unit

CONTENTS

Safety requirements.....	2
Purpose.....	4
Delivery set.....	4
Designation key.....	4
Technical data.....	5
Design and operating principle	6
Installation and set-up.....	8
Connection to power mains	12
Technical maintenance.....	13
Storage and transportation regulations.....	14
Manufacturer’s warranty	15
Certificate of acceptance.....	16
Seller information.....	16
Installation certificate.....	16
Warranty card.....	16

This user’s manual is a main operating document intended for technical, maintenance, and operating staff.

The manual contains information about purpose, technical details, operating principle, design, and installation of the VUT/VUE V(1)(B) EC unit and all its modifications.

Technical and maintenance staff must have theoretical and practical training in the field of ventilation systems and should be able to work in accordance with workplace safety rules as well as construction norms and standards applicable in the territory of the country.

The information in this user’s manual is correct at the time of the document’s preparation.

The Company reserves the right to modify the technical characteristics, design, or configuration of its products at any time in order to incorporate the latest technological developments.

No part of this publication may be reproduced, stored in a retrieval system, or transmitted, in any form or by any means in any information search system or translated into any language in any form without the prior written permission of the Company.

SAFETY REQUIREMENTS

- Please read the user’s manual carefully prior to installing and operating the unit.
- All user’s manual requirements as well as the provisions of all the applicable local and national construction, electrical, and technical norms and standards must be observed when installing and operating the unit.
- The warnings contained in the user’s manual must be considered most seriously since they contain vital personal safety information.
- Failure to follow the rules and safety precautions noted in this user’s manual may result in an injury or unit damage.
- After a careful reading of the manual, keep it for the entire service life of the unit.
- While transferring the unit control, the user’s manual must be turned over to the receiving operator.

UNIT INSTALLATION AND OPERATION SAFETY PRECAUTIONS



- Disconnect the unit from power mains prior to any installation operations.



- Unpack the unit with care.



- The unit must be grounded!



- While installing the unit, follow the safety regulations specific to the use of electric tools.



- Do not change the power cable length at your own discretion. Do not bend the power cable. Avoid damaging the power cable. Do not put any foreign objects on the power cable.



- Do not use damaged equipment or cables when connecting the unit to power mains.



- Do not touch the unit controls with wet hands. Do not carry out the installation and maintenance operations with wet hands.



- Do not allow children to operate the unit.



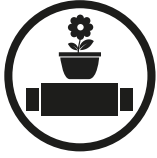
- Do not store any explosive or highly flammable substances in close proximity to the unit.



- Do not open the unit during operation.



- Do not block the air duct when the unit is switched on.



- Do not sit on the unit and avoid placing foreign objects on it.



- Do not lay the power cable of the unit in close proximity to heating equipment.



- Do not operate the unit outside the temperature range stated in the user's manual. Do not operate the unit in aggressive or explosive environments.



- Do not wash the unit with water. Protect the electric parts of the unit against ingress of water.



- Disconnect the unit from power mains prior to any technical maintenance.



- When the unit generates unusual sounds, odour, or emits smoke, disconnect it from power supply and contact the Seller.



- Do not direct the air flow produced by the unit towards open flame or ignition sources.



- In case of continuous operation of the unit, periodically check the security of mounting.



- Use the unit only for its intended purpose.



**THE PRODUCT MUST BE DISPOSED SEPARATELY AT THE END OF ITS SERVICE LIFE.
DO NOT DISPOSE THE UNIT AS UNSORTED MUNICIPAL WASTE.**

PURPOSE

Due to the ability to save heating energy by means of energy recovery, the unit is an important element of energy-efficient premises. The unit is a component part and is not designed for stand-alone operation.

The unit is designed to ensure continuous mechanical air exchange in houses, offices, hotels, cafés, conference halls, and other utility and public spaces as well as to recover the heat energy contained in the air extracted from the premises to warm up the filtered stream of supply air.



THE UNIT SHOULD NOT BE OPERATED BY CHILDREN OR PERSONS WITH REDUCED PHYSICAL, MENTAL, OR SENSORY CAPACITIES, OR THOSE WITHOUT THE APPROPRIATE TRAINING. THE UNIT MUST BE INSTALLED AND CONNECTED ONLY BY PROPERLY QUALIFIED PERSONNEL AFTER THE APPROPRIATE BRIEFING. THE CHOICE OF UNIT INSTALLATION LOCATION MUST PREVENT UNAUTHORIZED ACCESS BY UNATTENDED CHILDREN.

The unit is rated for continuous operation. Transported air must not contain any flammable or explosive mixtures, evaporation of chemicals, sticky substances, fibrous materials, coarse dust, soot and oil particles or environments favorable for the formation of hazardous substances (toxic substances, dust, pathogenic germs).

DELIVERY SET

NAME	NUMBER
Air handling unit	1 pc.
User's manual	1 pc.
Control panel user's manual	1 pc.
Control panel	1 pc.
Installation kit	1 pc.
Packing box	1 pc.

DESIGNATION KEY

VUT	350	V	1	B	EC	
						Motor type
						EC — electronically commutated
						Additional components
						_ — no additional components
						B — bypass
						Casing design
						Spigot orientation
						V — vertical spigot orientation
						Rated air capacity [m³/h]
						Series of units
						VUT — heat recovery air handling unit
						VUE — energy recovery air handling unit

TECHNICAL DATA

The unit is designed for indoor application with the ambient temperature ranging from +1 °C up to +40 °C and relative humidity up to 80 %. The unit is rated as a Class I electrical appliance.

Hazardous parts access and water ingress protection rating:

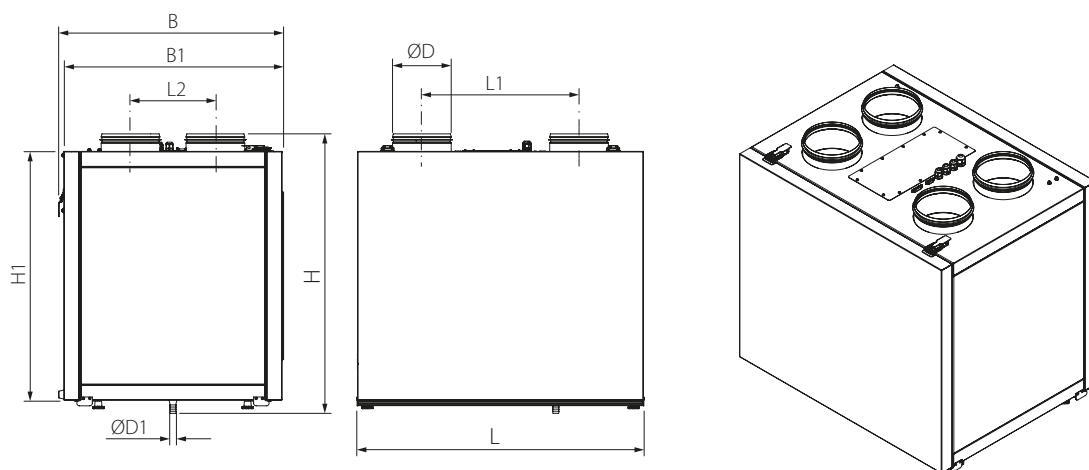
- IP44 for the unit motors
- IP22 for the assembled unit connected to the air ducts

The unit design is constantly being improved, thus some models may be slightly different from those described in this manual.

TECHNICAL DATA

MODEL	VUT 160 V(B) EC	VUT 160 V1(B) EC	VUE 160 V(B) EC	VUE 160 V1(B) EC	VUT 350 VB EC	VUT 350 V1B EC	VUE 350 VB EC	VUE 350 V1B EC	VUT 550 VB EC	VUE 550 VB EC	
Voltage [V/50 Hz]	1 ~ 230										
Maximum fan power [W]	51				170				333		
Maximum unit current (without a heater) [A]	0,4				1,3				2,3		
Maximum air capacity [m³/h]	180				415	380	415	380	750		
Sound pressure level at a distance of 3 m [dB(A)]	24-45				28-47				28-47		
Maximum transported air temperature [°C]	from -25 up to +60										
Casing material	painted steel										
Insulation, mineral wool	20 mm		40 mm								
Filtering class of the extract filter	G4										
Filtering class of the supply filter	F7 (G4 optional)										
Weight [kg]	44	49	44	49	66	55	66	55	83		
Heat recovery efficiency [%]	88-98/80-94				80-89/76-89			84-94/74-90		85-88/72-92	
Heat exchanger type	counter-flow										
Heat exchanger material	polystyrene		enthalpy membrane*		polystyrene		enthalpy membrane*		polystyrene		

* — The units are equipped with an enthalpy heat exchanger and do not require condensate drainage.

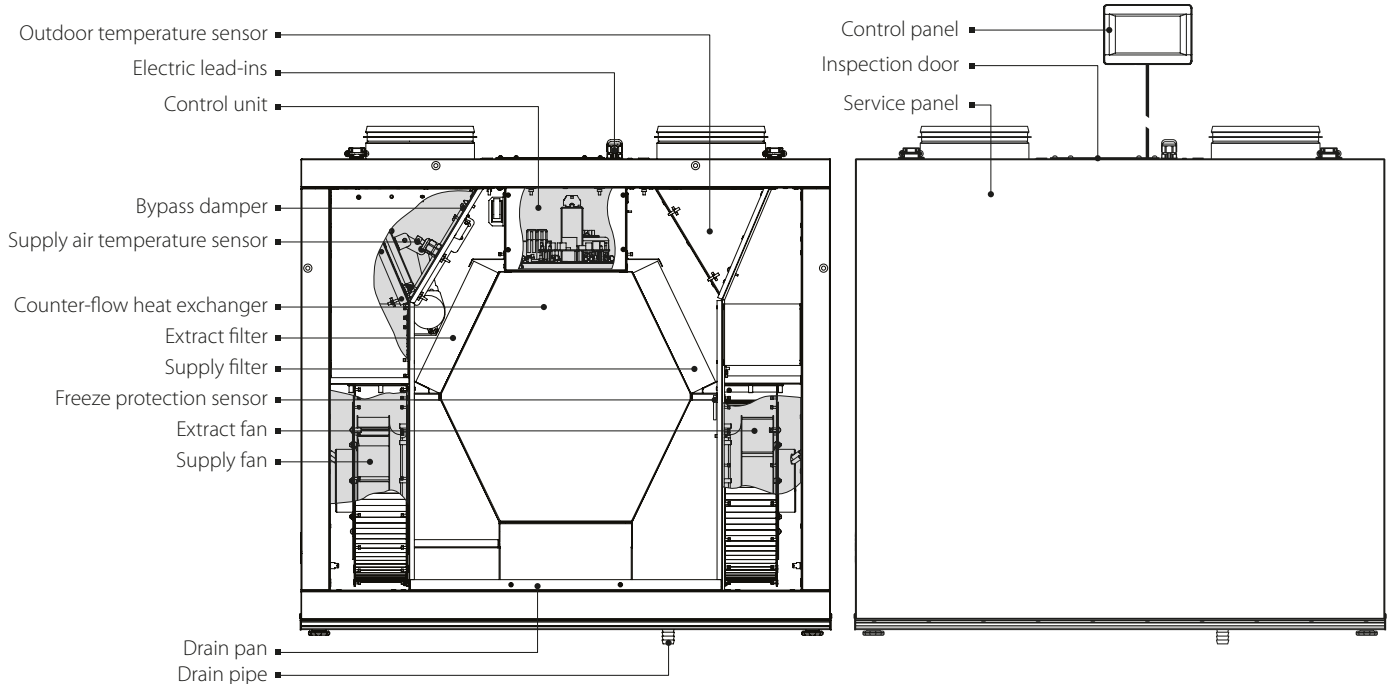


MODEL	DIMENSIONS [MM]								
	Ø D	Ø D1	B	B1	H	H1	L	L1	L2
VUT/VUE 160 V(B) EC	124	18	343	330	690	580	600	388	143
VUT/VUE 160 V1(B) EC	124	18	385	370	712	620	640	388	143
VUT/VUE 350 VB EC	159	18	604	590	758	675	730	426	230
VUT/VUE 350 V1B EC	159	18	488	475	758	673	730	426	190
VUT/VUE 550 VB EC	199	18	736	722	758	674	823	493	284

DESIGN AND OPERATING PRINCIPLE

The unit has the following operating principle: Warm stale extract air from the room flows into the unit, where it is filtered by the extract filter, then air flows through the heat exchanger and is exhausted outside by the extract fan. Cold fresh air from the outside flows into the unit, where it is cleaned by the supply filter. Then the air flows through the heat exchanger and is directed to the room with the supply fan. Heat energy of warm extract air is transferred to clean intake fresh air from the outside and warms it up. The air flows are fully separated while flowing through the heat exchanger. Heat recovery minimizes heat losses, which reduces the cost of space heating in the cold season.

UNIT DESIGN



The air handling unit is equipped with a removable front service panel for repair and maintenance operations. The removable service panel design enables to change the service side location.

The control unit is accessible for installation and wiring operations through the inspection door on top of the unit. For accessing the control unit remove the service panel after installation and wiring operations. The control unit is accessible for service operations through the swivel mounting plate. The power cable and ground cable are connected to the control unit via the electric lead-ins.

The bypass damper is open or closed depending on operation mode of the unit.

The difference between the supply and extract air flow temperature leads to condensate generation. Condensate is collected in the drain pan and is removed outside through the drain pipe.

Accessories for the unit are available on a separate order.

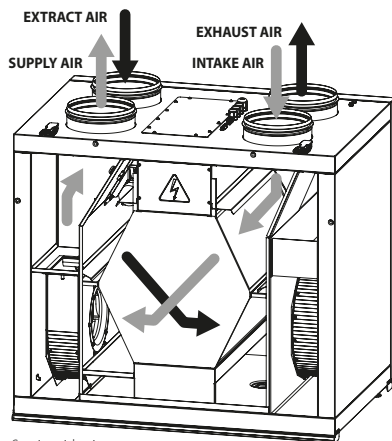
- HV1 humidity sensor.**
 The unit with an installed humidity sensor maintains a set indoor humidity point. As the extract air humidity rises above the set point, the system automatically switches to the maximum speed. As the humidity drops down below the set point the unit returns to the previous mode. Installation and connection of the humidity sensor (see page 8) is carried out on site by the service technician.
- NKP duct heater for supply air pre-heating.**
 The heater maintains the duct air temperature at a point that prevents the heat exchanger freezing. A control system regulates heater operation. Mounting and connection of the heater, see page 9.
- NKD duct heater for supply air post-heating.**
 The heater maintains a room temperature set by the temperature sensor in the control panel. A control system regulates heater operation. Mounting and connection of the heater, see page 9.

UNIT OPERATION MODES

Heat Recovery mode

Warm stale extract air from the room flows into the unit, where it is filtered by the extract filter, then air flows through the heat exchanger and is exhausted outside by the extract fan. Cold fresh air from outside flows into the unit, where it is cleaned in the supply filter. Then the air flows through the heat exchanger and is directed to the room with the supply fan.

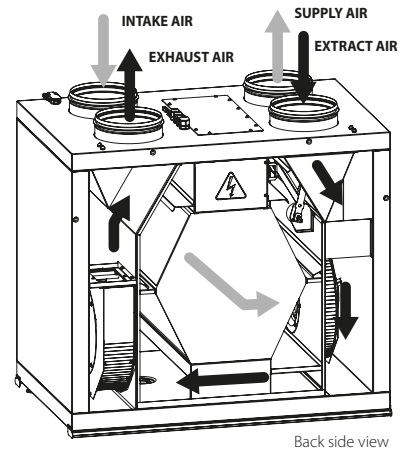
Supply air is heated in the heat exchanger by transferring the heat energy of warm and humid extract air to the cold fresh air. The air flows are fully separated while flowing through the heat exchanger. Heat recovery minimizes heat losses, which reduces the cost of space heating in the cold season.



Summer Cooling mode

The bypass damper is opened, the extract air that is removed from the premises is routed along the bypass duct and does not come in contact with the heat exchanger.

The temperature of the air is not changed after passing through the heat exchanger.



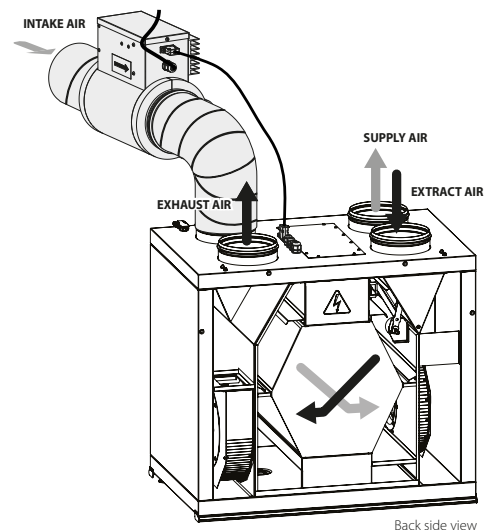
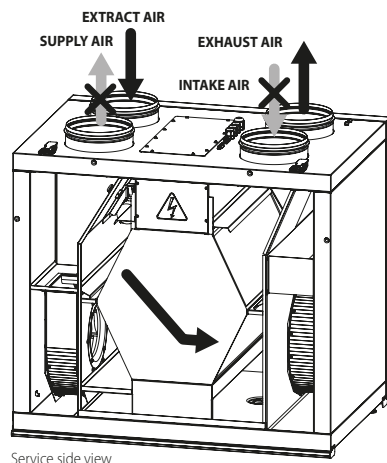
Freeze Protection of the Heat Exchanger

The unit has two automatic heat exchanger freeze protection modes depending on the unit model.

In case of a freezing danger* the supply fan is turned off.

To activate the Freeze Protection mode, refer to the user's manual for the control panel, the "Engineering menu", "Additional options" and "Supply fan shutdown" sections.

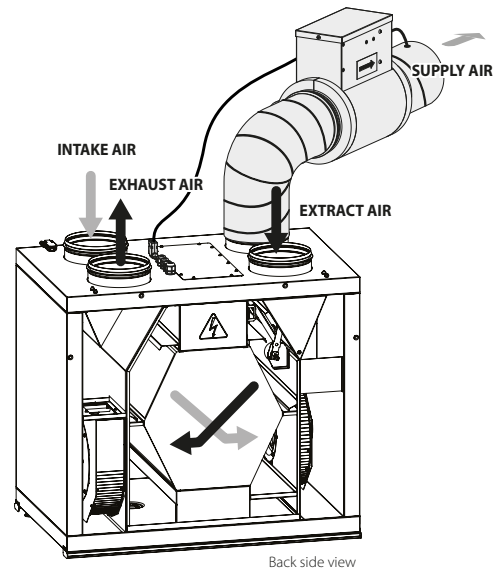
In case of a freezing danger* the electric pre-heater (NKP) is activated. To activate the Freeze Protection mode, refer to the user's manual for the control panel, the "Engineering menu", "Additional options" and the "Heating control" sections.



*Freezing danger appears when the exhaust air temperature downstream of the heat exchanger falls below +5 °C and the supply air temperature upstream of the heat exchanger falls below -3 °C. As the temperature rises the unit returns to the previous mode.

Post-heating

The process of supply air post-heating by the NKD duct heater is described in the user's manual for the control panel. For details, refer to the "Engineering menu", "Additional options" and the "Heating control" sections.



INSTALLATION AND SET-UP



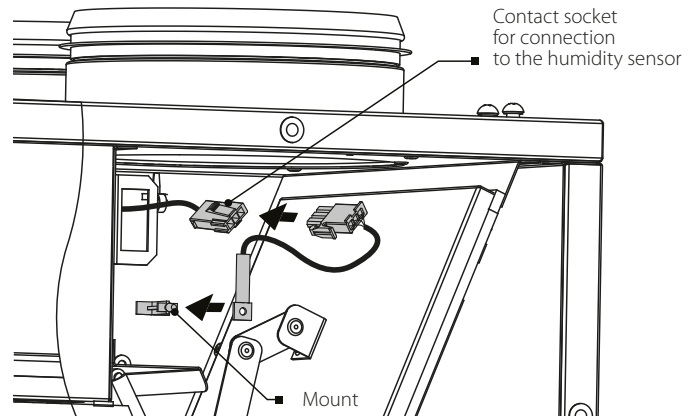
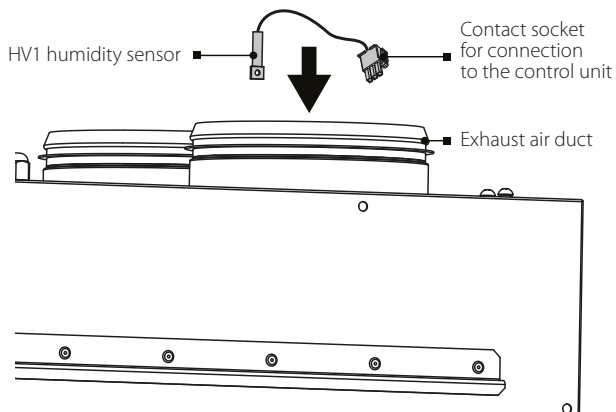
READ THE USER'S MANUAL BEFORE INSTALLING THE UNIT

HV1 HUMIDITY SENSOR INSTALLATION AND CONNECTION

The HV1 humidity sensor is not included in delivery set and can be ordered separately.

The humidity sensor must be installed prior to unit mounting.

Install the humidity sensor through the extract spigot into the mount on the extract air duct panel and connect the humidity sensor contact socket to the respective contact socket on the control unit, refer to the External wiring diagram.



INSTALLATION AND WIRING OF THE HEATERS TO THE UNIT

The NKP and NKD heaters are not included in the delivery set and are available upon separate order.

The heaters are rated for connection to single-phase AC 230 V/50(60) Hz.

The NKP and NKD heaters may be connected to the unit both as a single unit each or jointly.

Prior to connecting the heater to the air handling unit remove the pre-installed plugs from the internal socket connectors.

WARNING!

- Do not remove the plugs before the heaters are connected to the air handling unit.
- Make sure to cover the socket connector with the plugs after dismantling of the connecting cable.
- If only one heater is connected do not remove the plugs from the other socket connector that is not in use.
- If the socket connectors are not covered with plugs for any reasons, the air handling unit does not start during connection to power supply and the control panel displays DI1 and DI3 errors for NKP and DI1, DI3 and TE5 errors for NKD. Turn the air handling unit off and cover the socket connectors with the plugs to troubleshoot the errors.

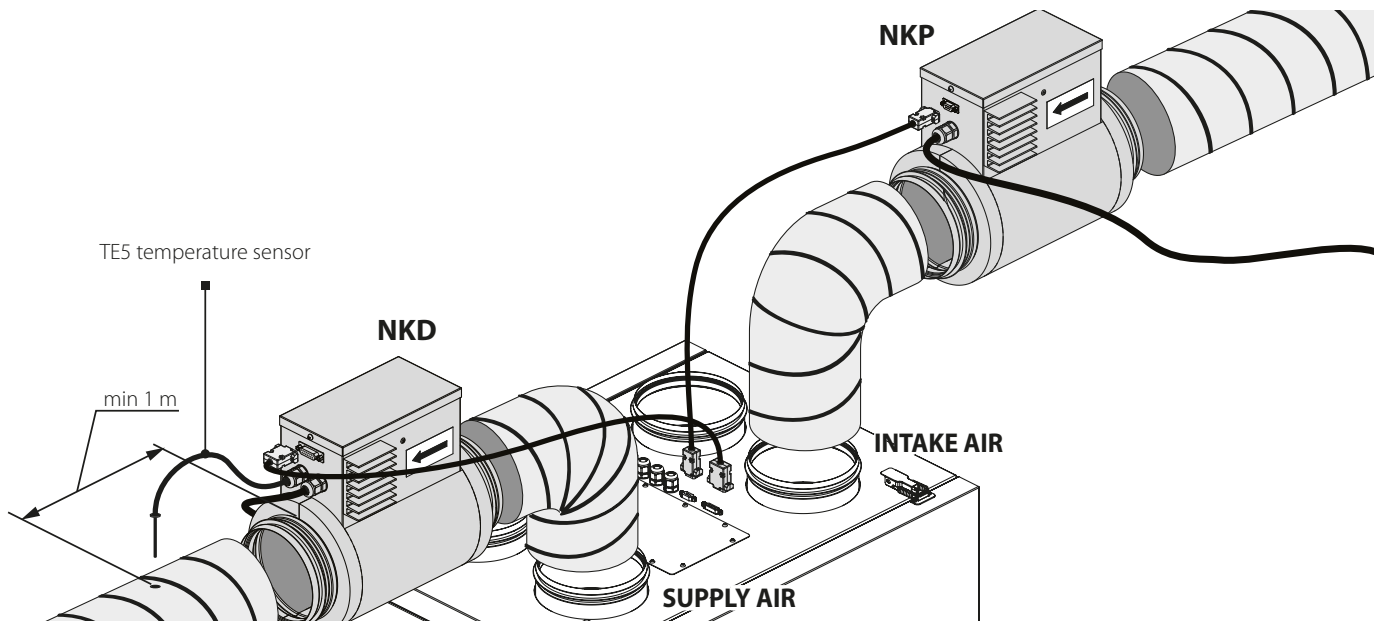
Attach the NKP heater to the air duct connected to the intake air spigot.

The heater is connected to the air handling unit via a connecting cable with DB-9M socket connectors inserted to the external socket connectors DB-9F on the unit and the heater.

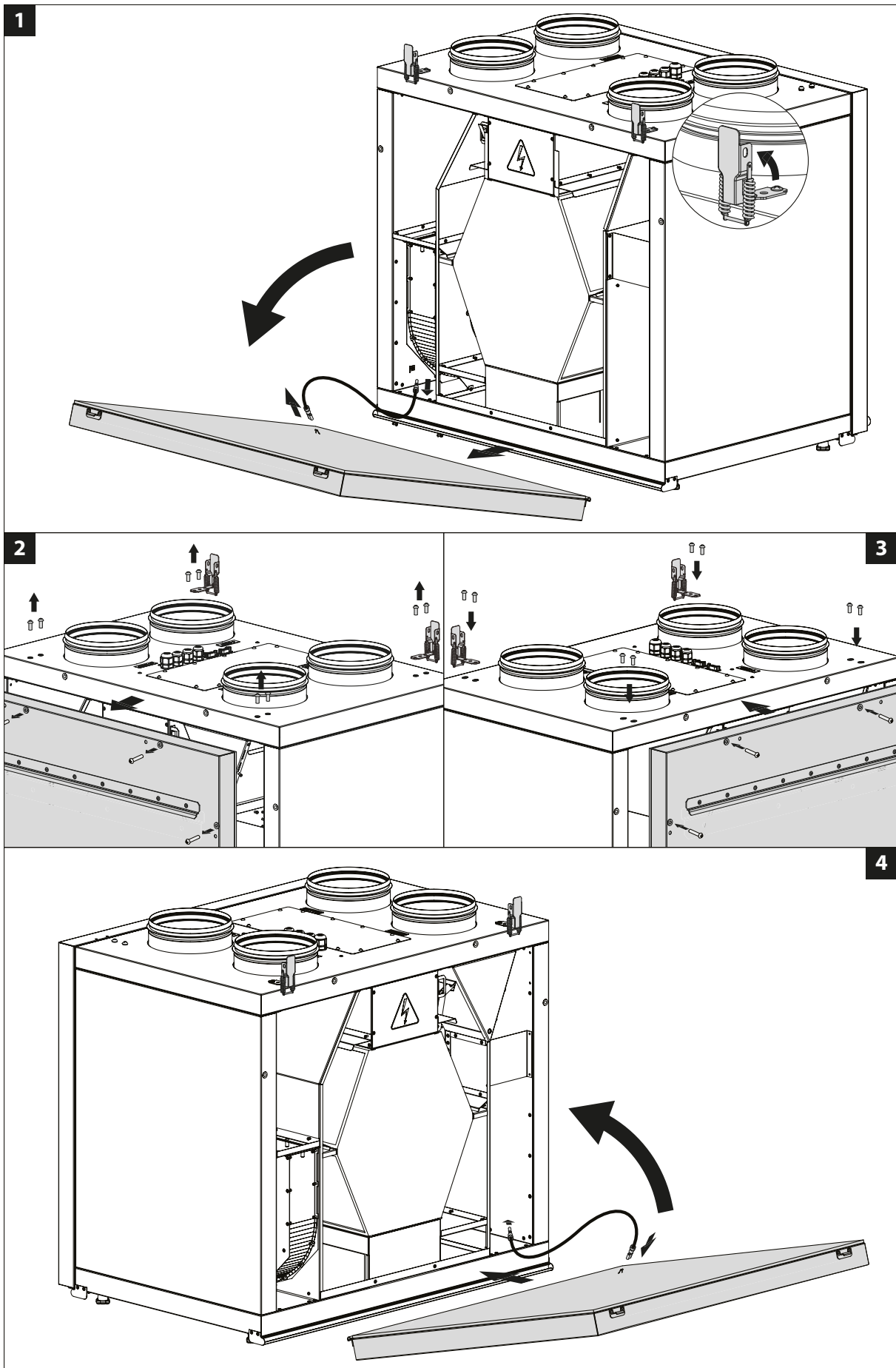
Attach the NKD heater to the air duct connected to the supply air spigot.

Install the air temperature sensor TE5 in the supply air duct downstream of the heater. Keep the minimum distance of 1 m between the heater and the sensor.

Connect the heater to the air handling unit via a connecting cable with DB-15M socket connectors inserted to the external socket connectors DB-15F on the unit and the heater.



SERVICE SIDE CHANGE FOR UNIT INSTALLATION:



UNIT INSTALLATION

To get the best performance of the unit and to minimize turbulence-induced air pressure losses, connect the straight air duct section to the spigots on both sides of the unit while installing.

Minimum straight air duct length:

- equal to 1 air duct diameter on the intake side
- equal to 3 air duct diameters on the outlet side

If the air ducts are too short or not connected, protect the unit parts from ingress of foreign objects. To prevent uncontrollable access to the fans, the spigots may be covered with a protecting grille or other protecting device with mesh width not more than 12.5 mm.

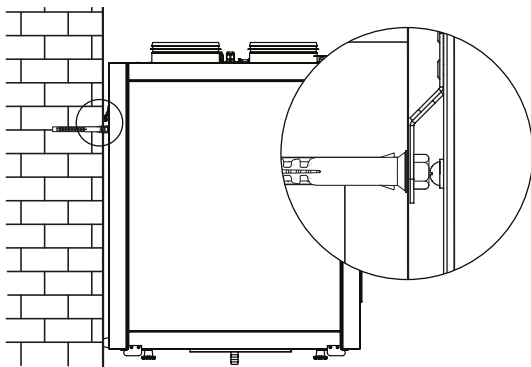
While installing the unit, ensure convenient access for subsequent maintenance and repair. The unit must be mounted on a plane wall. Installing the unit to an uneven surface could lead to the unit's casing distortion and operation disturbance.

UNIT WALL MOUNTING

Fasteners for wall mounting are not included in the delivery set and should be ordered separately. While choosing fasteners consider the material of the mounting surface as well as the weight of the unit, refer to the "Technical data" section.

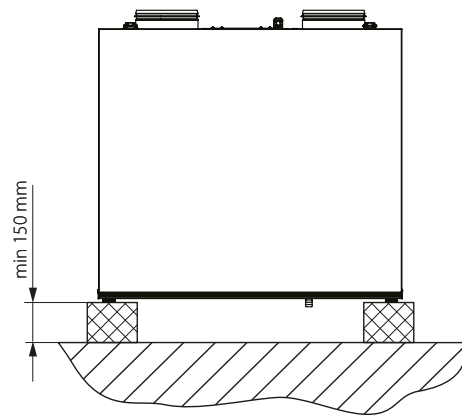
Fasteners for unit installation should be selected by a qualified technician.

Fix the wall mounting bracket at a required height and suspend the unit on it.



UNIT FLOOR MOUNTING

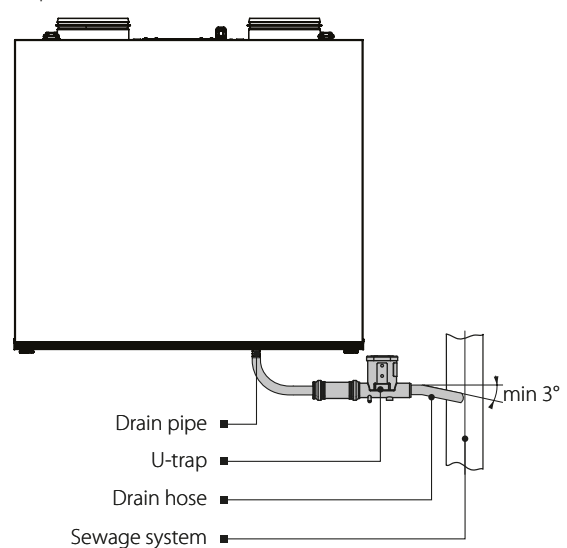
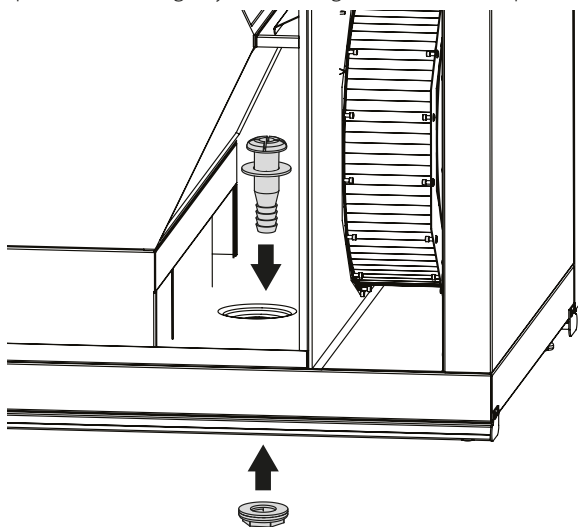
Install the unit on the pre-mounted floor supports, minimum 150 mm height, to ensure sufficient access for the drain pipe connection to the U-trap and for condensate drain system installation.



CONDENSATE DRAINAGE

Condensate drainage is required for the VUT V(1)B EC unit series. The hole for the drain pipe is at the bottom of the unit.

Remove the plug from the hole, open the service panel and install the drain pipe from the delivery set into the hole, then connect the drain pipe to the sewage system using the SG-32 U-trap kit (available upon separate order).



CONNECTION TO POWER MAINS


**DISCONNECT THE UNIT FROM POWER MAINS PRIOR TO ANY OPERATIONS.
THE UNIT MUST BE CONNECTED TO POWER MAINS BY A QUALIFIED ELECTRICIAN.
THE RATED ELECTRICAL PARAMETERS OF THE UNIT ARE SHOWN
ON THE RATING PLATE.**



**ANY TAMPERING WITH THE INTERNAL CONNECTIONS IS PROHIBITED
AND WILL VOID THE WARRANTY.**

The air-handling unit is rated for connection to single-phase AC 230 V / 50(60) Hz power mains. For electric installations use insulated durable heat-resistant wires with the minimum wire cross section 1 mm².

The external power input must be equipped with an automatic circuit breaker built into the stationary wiring to open the circuit in the event of overload or short-circuit.

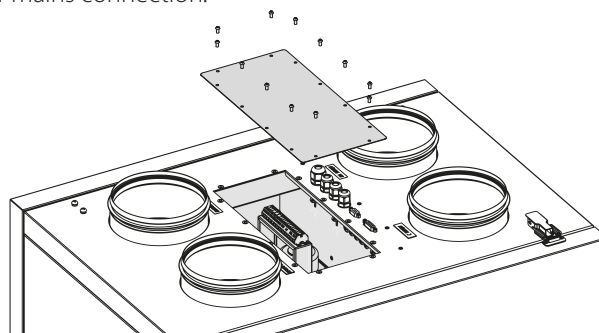
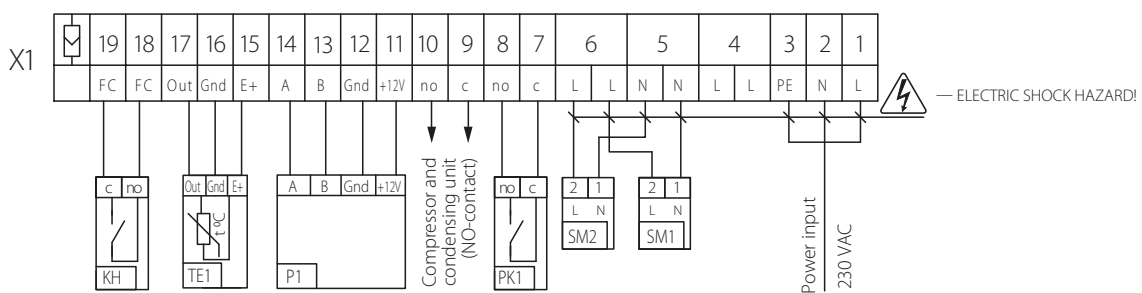
The external switch location must ensure free access for quick shutdown of the unit.

An exhaust kitchen hood may be optionally connected to the unit. The unit changes to maximum speed once the kitchen hood is turned on and the dry contact is closed.

Route the cables to the control unit through the electric lead-ins on the top of the unit.

Connect the unit in compliance with the external wiring diagram to the terminal block X1 located in the control unit.

Accessing the control unit while power mains connection:


EXTERNAL WIRING DIAGRAM


DESIGNATION	NAME	MODEL	WIRE**
CCU*	DX cooler	NO	2 x 0,75 mm ²
SM1 *	Supply air damper actuator	LF230	2 x 0,75 mm ²
SM2 *	Extract air damper actuator	LF230	2 x 0,75 mm ²
PK1*	Contact from fire alarm panel	NO	2 x 0,75 mm ²
P1	Control panel		
TE1	Outdoor air temperature sensor		
KH *	Contact from kitchen hood	NO	2 x 0,5 mm ²

* Is not included in the delivery set.

** Maximum connecting cable length is 20 m!

CONNECT THE HEATER(S) TO POWER SUPPLY PRIOR TO CONNECTING THE UNIT TO POWER SUPPLY!

If the unit is connected to power supply before connection of the heater(s) the control panel displays the following errors: DI1 and DI3 for NKP and DI1, DI3 and TE5 for EKH. To troubleshoot the errors turn the air handling unit off and restart it with the activated heater(s).

CONNECT THE UNIT TO POWER MAINS.

Connect the unit to power mains through the external automatic circuit breaker with a magnetic trip integrated into the fixed wiring system. The position of the external automatic circuit breaker must ensure free access for quick power-off of the unit. The trip current must be in compliance with the consumption current, refer to Technical data.

TECHNICAL MAINTENANCE



DISCONNECT THE UNIT FROM POWER SUPPLY BEFORE ANY MAINTENANCE OPERATIONS!

Maintenance operations of the unit are required 3-4 times per year. They include general cleaning of the unit and the following operations:

1. Filter maintenance (3-4 times per year).

Dirty filters increase air resistance in the system and reduce supply air volume. The filters require cleaning not less than 3-4 times per year. Clean the filter with a vacuum cleaner or replace it with a new one. For new filters, contact the Seller.

2. Heat exchanger maintenance (once per year).

Some dust may accumulate on the heat exchanger even in case of regular maintenance of the filters. To maintain the high heat recovery efficiency, regular cleaning is required. To clean the heat exchanger remove it from the unit and clean the heat exchanger by using compressed air or a vacuum cleaner. After cleaning, re-install the heat exchanger into the unit.

The steps to remove the filters and the heat exchanger are as follows (refer to the figure below):

3. Fan maintenance (once per year).

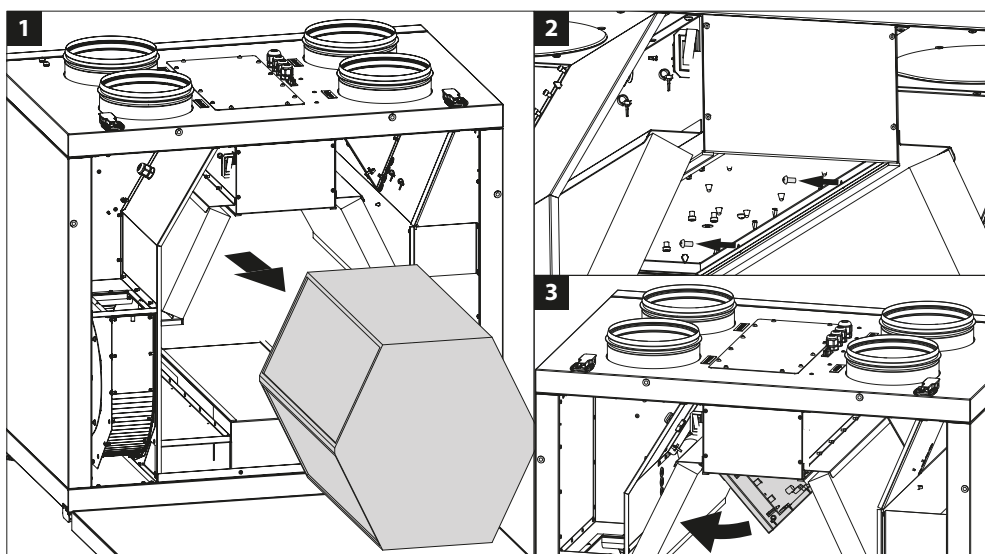
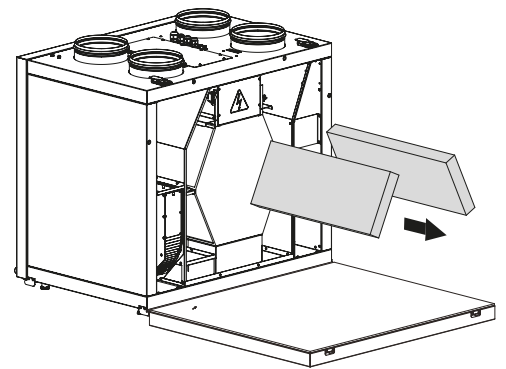
Even in case of regular maintenance of the filters, some dust may accumulate inside the fans and reduce the fan performance and supply air flow. Clean the fans with a soft cloth, brush, or using compressed air. Do not use water, aggressive solvents, or sharp objects as they may damage the impeller.

4. Condensate drainage system maintenance (4 times per year).

The supply duct grille may get clogged with leaves and other objects reducing the unit performance and supply air delivery. Check the supply grille twice per year and clean it as required.

5. Supply air flow control (twice per year).

The supply duct grille may get clogged with leaves and other objects reducing the unit performance and supply air delivery. Check the supply grille twice per year and clean it as required.



6. Ductwork system maintenance (once in 5 years).

Even regular fulfilling of all the maintenance operations prescribed above may not completely prevent dirt accumulation in the air ducts, which leads to air pollution and reduces the unit capacity. Duct maintenance means regular cleaning or replacement.

7. Control unit maintenance (if necessary).

The control unit is positioned inside the unit casing. To access the control unit, remove the fixing screws on the panel and remove the control unit lid.

POSSIBLE REASONS AND TROUBLESHOOTING

Problem	Possible reasons	Troubleshooting
The fan(s) does not start when the unit is on.	No power supply.	Make sure the power supply line is connected correctly, otherwise troubleshoot the connection error.
	The motor is jammed, the impeller blades are soiled.	Turn the unit off. Troubleshoot the motor jam and the impeller clogging. Clean the blades. Restart the unit.
	Alarm in the system.	Turn the unit off. Contact the Seller.
Automatic circuit breaker trips following the unit turning on.	Overcurrent as a result of short circuit in the electric circuit.	Turn the unit off. Contact the Seller.
Low air flow.	Low set fan speed.	Set higher speed.
	The filters and the fans are clogged, the heat exchanger is clogged.	Clean or replace the filters, clean the fans and the heat exchanger.
	Ventilation system elements (air ducts, diffusers, louver shutters, grilles) are clogged, damaged, or closed.	Clean or replace the ventilation system elements, such as air ducts, diffusers, louver shutters, grilles.
Cold supply air.	The extract filter is soiled.	Clean or replace the extract filter.
Noise, vibration.	The impeller(s) is soiled.	Clean the impeller(s).
	The fan or casing screw connection is loose.	Tighten the screw connection of the fans or the casing all the way.
	No anti-vibration connectors on air duct pipe flanges.	Install anti-vibration connectors.
Water leakage (only for the VUT/VB EC units)	The drainage system is soiled, damaged, or installed incorrectly.	Clean the drain line. Check the drain line slope angle. Make sure that the U-trap is filled with water and the drain pipes are frost protected.
Displayed DI1 and DI3 errors on the control panel. The error coding is the same for both heaters.	Activated heating mode in the control panel with the missing heater.	For error troubleshooting deactivate the heating mode. If the errors are displayed after that please contact the product Seller.

STORAGE AND TRANSPORTATION REGULATIONS

- Store the unit in the manufacturer's original packaging box in a dry closed ventilated premise with temperature range from +5 °C up to +40 °C and relative humidity up to 70 %.
- Storage environment must not contain aggressive vapours and chemical mixtures provoking corrosion, insulation, and sealing deformation.
- Use suitable hoist machinery for handling and storage operations to prevent possible damage to the unit.
- Follow the handling requirements applicable for the particular type of cargo.
- The unit can be carried in the original packaging by any mode of transport provided proper protection against precipitation and mechanical damage. The unit must be transported only in the working position.
- Avoid sharp blows, scratches, or rough handling during loading and unloading.
- Prior to the initial power-up after transportation at low temperatures allow the unit to warm up at room temperature for at least 3-4 hours.

MANUFACTURER'S WARRANTY

The product is in compliance with EU norms and standards on low voltage guidelines and electromagnetic compatibility. We hereby declare that the product complies with the provisions of Electromagnetic Council Directive 2014/30/EU, Low Voltage Directive 2014/35/EU and CE-marking Directive 93/68/EEC. This certificate is issued following test carried out on samples of the product referred to above. The manufacturer hereby warrants normal operation of the unit for 24 months after the retail sale date provided the user's observance of the transportation, storage, installation, and operation regulations. Should any malfunctions occur in the course of the unit operation through the Manufacturer's fault during the guaranteed period of operation, the user is entitled to get all the faults eliminated by the manufacturer by means of warranty repair at the factory free of charge. The warranty repair includes work specific to elimination of faults in the unit operation to ensure its intended use by the user within the guaranteed period of operation. The faults are eliminated by means of replacement or repair of the unit components or a specific part of such unit component.

THE WARRANTY REPAIR DOES NOT INCLUDE:

- routine technical maintenance
- unit installation/dismantling
- unit setup

To benefit from warranty repair, the user must provide the unit, the user's manual with the purchase date stamp, and the payment paperwork certifying the purchase. The unit model must comply with the one stated in the user's manual. Contact the Seller for warranty service.

THE MANUFACTURER'S WARRANTY DOES NOT APPLY TO THE FOLLOWING CASES:

- User's failure to submit the unit with the entire delivery package as stated in the user's manual including submission with missing component parts previously dismounted by the user.
- Mismatch of the unit model and the brand name with the information stated on the unit packaging and in the user's manual.
- User's failure to ensure timely technical maintenance of the unit.
- External damage to the unit casing (excluding external modifications as required for installation) and internal components caused by the user.
- Redesign or engineering changes to the unit.
- Replacement and use of any assemblies, parts and components not approved by the manufacturer.
- Unit misuse.
- Violation of the unit installation regulations by the user.
- Violation of the unit control regulations by the user.
- Unit connection to power mains with a voltage different from the one stated in the user's manual.
- Unit breakdown due to voltage surges in power mains.
- Discretionary repair of the unit by the user.
- Unit repair by any persons without the manufacturer's authorization.
- Expiration of the unit warranty period.
- Violation of the unit transportation regulations by the user.
- Violation of the unit storage regulations by the user.
- Wrongful actions against the unit committed by third parties.
- Unit breakdown due to circumstances of insuperable force (fire, flood, earthquake, war, hostilities of any kind, blockades).
- Missing seals if provided by the user's manual.
- Failure to submit the user's manual with the unit purchase date stamp.
- Missing payment paperwork certifying the unit purchase.



FOLLOWING THE REGULATIONS STIPULATED HEREIN WILL ENSURE A LONG AND TROUBLE-FREE OPERATION OF THE UNIT.



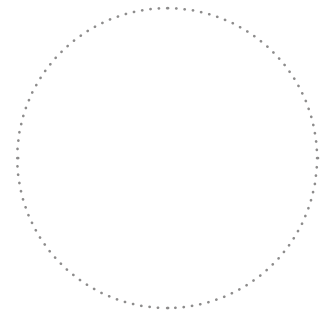
USER'S WARRANTY CLAIMS SHALL BE SUBJECT TO REVIEW ONLY UPON PRESENTATION OF THE UNIT, THE PAYMENT DOCUMENT AND THE USER'S MANUAL WITH THE PURCHASE DATE STAMP.

CERTIFICATE OF ACCEPTANCE

Unit Type	Heat and energy recovery air handling unit
Model	<input type="checkbox"/> VUT <input type="checkbox"/> VUE _____ V_____ EC A19
Serial Number	
Manufacture Date	
We hereby declare that the product complies with the protection requirements of Electromagnetic Council Directive 2014/30/EU, Low Voltage Directive 2014/35/EU and CE-marking Directive 93/68/EEC on the approximation of the laws of the Member States relating to electromagnetic compatibility. This certificate is issued following the test on the samples of the product referred to above.	
Quality Inspector's Stamp	

SELLER INFORMATION

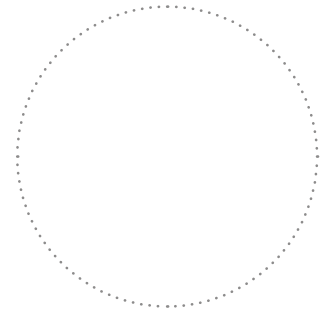
Seller	
Address	
Phone Number	
E-mail	
Purchase Date	
This is to certify acceptance of the complete unit delivery with the user's manual. The warranty terms are acknowledged and accepted.	
Customer's Signature	



Seller's Stamp

INSTALLATION CERTIFICATE

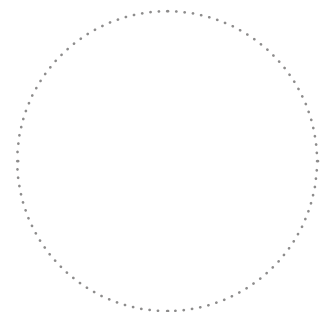
The <input type="checkbox"/> VUT <input type="checkbox"/> VUE _____ V_____ EC A19 heat and energy recovery air handling unit has been connected to power mains pursuant to the requirements stated in the present user's manual.	
Company Name	
Address	
Phone Number	
Installation Technician's Full Name	
Installation Date:	Signature:
The unit has been installed in accordance with the provisions of all applicable local and national construction, electrical, and technical codes and standards. The unit operates normally as intended by the manufacturer.	
Signature:	



Installation Company Stamp

WARRANTY CARD

Unit Type	Heat and energy recovery air handling unit
Model	<input type="checkbox"/> VUT <input type="checkbox"/> VUE _____ V_____ EC A19
Serial Number	
Manufacture Date	
Purchase Date	
Warranty Period	
Seller	



Seller's Stamp

