

INSTALLATION INSTRUCTION

NB DVUT 300 HB
NB DVUT 500 HB
NB DVUT 1200 HB



Outer ventilation hood

PURPOSE

The outer ventilation hood (hereinafter referred to as the "hood") is designed to prevent ingress of water and foreign objects into the ventilation equipment from outside.



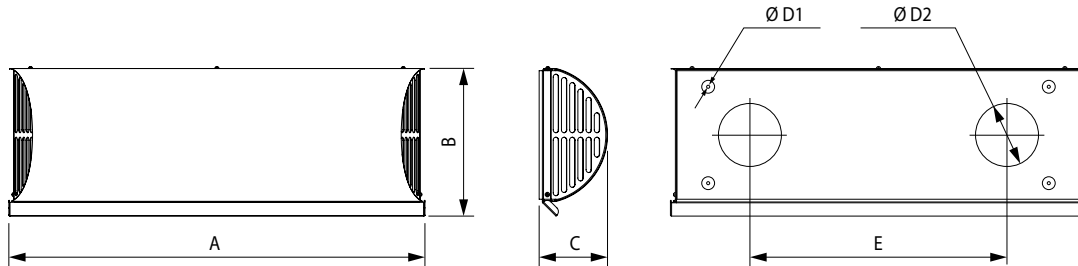
THE UNIT MAY NOT BE OPERATED BY CHILDREN OR PERSONS WITH REDUCED PHYSICAL, MENTAL OR SENSORY CAPACITIES, OR LACKING THE APPROPRIATE TRAINING.
THE CHOICE OF UNIT INSTALLATION LOCATION MUST PREVENT UNAUTHORIZED ACCESS BY UNATTENDED CHILDREN.

DELIVERY SET

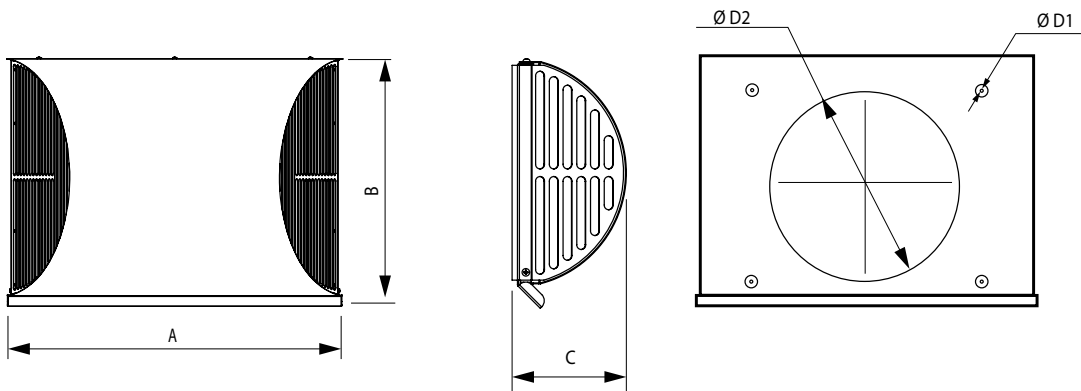
	NB DVUT 300 HB NB DVUT 500 HB	NB DVUT 1200 HB
Hood	1	2
Installation instruction	1	1
Fastening kit	1	1
Packing box	1	1

OVERALL DIMENSIONS

NB DVUT 300/500 HB



NB DVUT 1200 HB



	A	B	C	E	D1	D2
NB DVUT 300 HB	648	370	175	230	6	200
NB DVUT 500 HB	748	480	230	290	6	250
NB DVUT 1200 HB	717	530	250	—	6	402

INSTALLATION

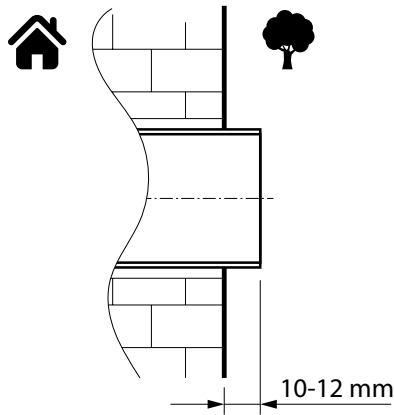
WARNING! IF THE MOUNTING PLACE IS LOCATED AT HIGH ALTITUDE, PLEASE REFER TO A MOUNTING COMPANY POSSESSING APPROPRIATE MOUNTING EQUIPMENT!

Installation is shown on the example of the NB DVUT 300 HB ventilation hood.

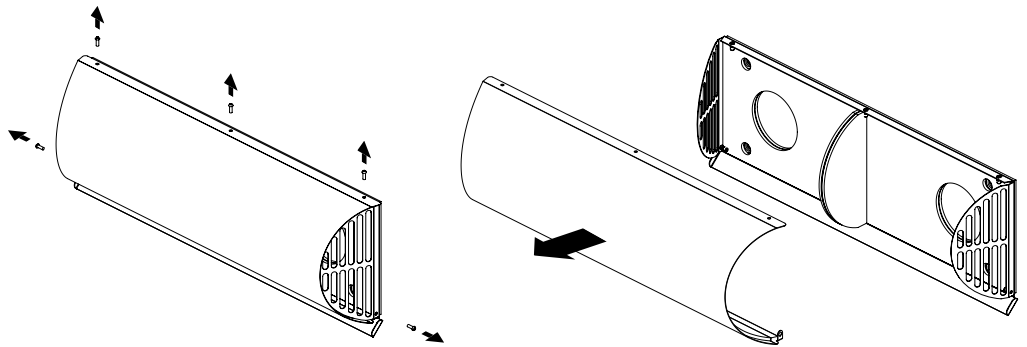
For DVUT 1200 units, two NB DVUT 1200 HB hoods must be installed.

Route the air ducts outside of the outer wall on which the hood will be installed.

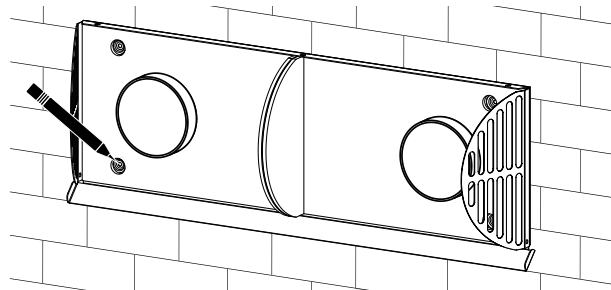
Cut the excess of the air ducts.



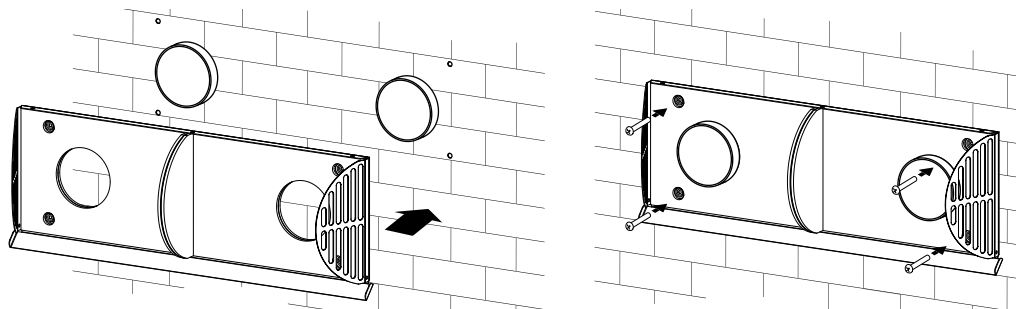
Disassemble the hood to enable access to the fastening holes. Remove the screws that secure the front part of the hood and remove it.



Mark the holes using the back part of the ventilation hood. Drill 4 holes for the dowels.



Fix the back part of the hood to the wall.



Install the front part of the hood and fix it with screws.

