

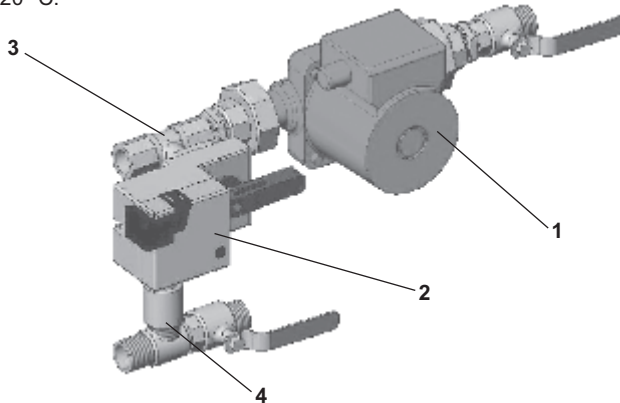
OPERATING AND INSTALLATION MANUAL

APPLICATION

The USWK water mixing units are designed for circulation and temperature regulation of water or water mixture used as a heat medium water heaters of the ventilation systems.

**DESIGN AND
OPERATING
LOGIC**

The USWK unit design is shown in figure 1.
On customer's request both right-side and left-side modifications are available.
The unit manifold piping consists of the metal elements with the heat resistance up to +120 °C.



The circulation pump 1 provides continuous required water flow rate and pressure.
The temperature of the water supplied to the heat exchanger is regulated by mixing of the water supplied from the network with the heat exchanger recirculation water in the circulation loop.
The recirculation water amount supplied through the recirculation pipe 4 is regulated by the three-way valve 3 with electric actuator 2. The actuator control voltage is determined by the set supply air temperature at outlet of the water heater.

PRODUCT RANGE AND TECHNICAL DATA

Type USWK	Water flow [m³/h]	Water pressure [w.c.m.]	Kvs*	Pressure [bar]	Three-way valve	Connecting diameter	Weight [kg]
USWK-3/4-4	до 4	до 6	4	10	Belimo R317	3/4"	4,1
USWK-3/4-6	до 6	до 6	6,3	10	Belimo R318	3/4"	4,1
USWK-1-6	до 6	до 6	6,3	10	Belimo R322	1"	6,8
USWK-1-10	до 10	до 6	10	10	Belimo R323	1"	6,8
USWK-1 1/4-10	до 10	до 6	10	10	Belimo R329	1 1/4"	7,4
USWK-1 1/4-16	до 16	до 6	16	10	Belimo R331	1 1/4"	7,4
USWK-1 1/2-16	до 16	до 11	16	10	Belimo R338	1 1/2"	22
USWK-1/2-25	до 25	до 11	25	10	Belimo R339G	1 1/2"	22
USWK-2-25	до 25	до 11	25	10	Belimo R348	2"	30,7
USWK-2-40	до 40	до 11	40	10	Belimo R349G	2"	30,7

$$\text{transmission factor } Kvs = \frac{V_{100}}{\sqrt{\frac{\Delta PV_{100}}{100}}}$$

ΔPV_{100} - pressure loss at fully open valve

V_{100} - rated water flow at ΔPV_{100}

The allowable operating conditions for the mixing units are determined by a number of elements included into its design and the following values:

- ambient temperature [°C] - 5...40
- maximum water mixture temperature at inlet [°C] - 110...120
- maximum pressure in the mixing unit pass [bar] - 10

OPERATING CONDITIONS

Circulation pump

Threaded or flange-type circulation DAB pump (DAB company, Italy) is used.

Type US	Pump	Operating temperature range [°C]
USWK-3/4-4 / USWK-3/4-6	VA65/180	-10...+110
USWK-1-6 / USWK-1-10	A50/180XM	-10...+110
USWK-1 1/4-10 / USWK-1 1/4-16	A56/180XM	-10...+110
USWK-1 S-16 / USWK-1 1/2-25	BPH120/250.40M	-10...+120
USWK-2-25 / USWK-2-40	BPH120/280.40T	-10...+120

BASIC COMPONENTS

DAB pumps specifications:

Maximum operating pressure:

10 bar;

- capacity:

4 - 40 m³/h;

- Water mixture temperature:

-10°C ...+120°C;

- Maximum ambient temperature:

+40°C;

- Number of speeds:

3;

- Power consumption:

37-898 W;

Rated for continuous operation;

motor: single-phase 1x230V~50Hz

insulation class F, protection rating IP 42;

three-phase motor 3x230V~50 Hz or 3x400V~50 Hz for USWK-2-25, US-2-40 model.

insulation class F, protection rating IP 42;

- casing - cast iron/aluminium;

- impeller - technical polymer;

- shaft with rotor - stainless steel;

- rotor hub - stainless steel;

- mechanical seal - carbon/ceramics

Ball valve with electric actuator

The regulating three-way ball valves with electric actuators (manufactured by BELIMO company, Switzerland) are used. Equal percentage flow characteristics provided by a special adjusting valve plate is the main advantage of the above mentioned valves.

The valves are regulated by means of the rotating electric actuator LR24SR (NR24SR, SR24A-SR controlled by analogue signal.

Manual control function is available.

Electric actuator technical data

- power supply voltage

AC 24 V, 50/60 Hz, DC 24 V

- power consumption

0.2 - 2 W

- control signal

DC 0...10 V, input resistance = 100 kOhm

- operating range

DC 2...10 V, angle 0...90°

- complete rotation time

80...100 sec

- protection rating

IP 52

- manual control

self-resetting push-button

Electrical connection and servicing works shall be performed by duly qualified electricians authorized for such works.

Do not operate the USWK unit beyond the specified temperature conditions or in aggressive or explosive environment.

Make sure the USWK unit is not damaged before connecting it to power mains.

While mounting the water mixing unit ensure the following conditions:

horizontal position of the motor shaft axis;

ensure dry start-up protection with no heat medium in the system);

no mechanical load transfer from connected pipelines to the USWK unit;

exclude any accidental touch of the power cables with the rotating parts of the USWK unit.

INSTALLATION AND SERVICING

USWK unit connection to water supply system

Water is supplied to the USWK unit or drained from it either through fixed connecting pipelines to waterworks or flexible metal and rubber hoses thread-connected to inlet and outlet pipes.

While connecting the USWK unit to power mains make sure of no excessive loads that may result in mechanical or airtight damages.

Connect the pipelines to enable their easy and quick detachment for repair works.

While connecting the USWK unit to power mains make sure of no excessive loads that may result in mechanical or airtight damages.

The mixing unit has been checked and found air tight.

After installation of the USWK unit into the heat medium supply system check the thread connections for possible leakages from mechanical impact during installation operations.



WARNING

Electric connections

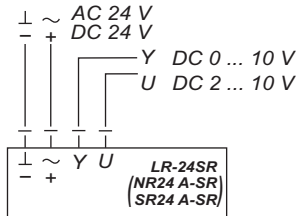
All electrical connections shall be performed by duly qualified electricians authorized for such works. Ground the pump before connecting the unit to power supply network.

Avoid any contact of the power cord with the pipeline or the pump.

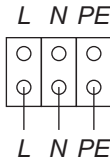
Connection of the pump's electric motor and electric actuator in accordance with wiring diagrams below.

**WIRING
DIAGRAMS**

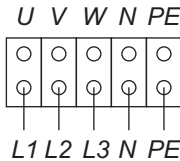
Wiring diagram of the ball valve drive



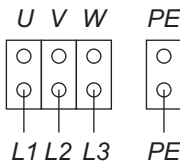
Wiring diagram of the single-phase pump motor.

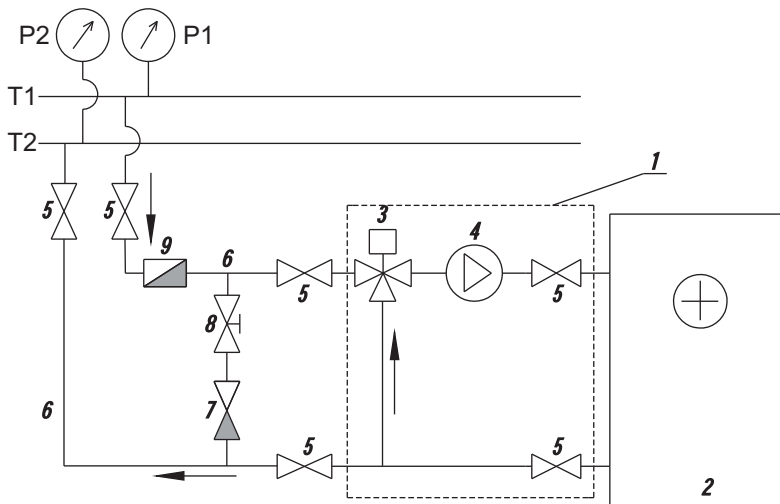


Wiring diagram of the three-phase pump motor 3x230V



Wiring diagram of the three-phase pump motor 3x400V





**RECOMMENDED
CONNECTION
DIAGRAM TO
MUNICIPAL
WATER MAINS**

T1 and T2 - supply and return pipelines of heating system

P1 and P2 - liquid pressure gages in the heat distribution system

1 - USWK mixing unit

2 - water heater

3 - three-way valve with actuator

4 - circulation pump

5 - shut-off valve

6 - supply and return pipeline connection between heating system and water heater

7 - non-return valve

8 - balancing valve

9 - coarse filter

SERVICING

While operating the unit observe the following servicing procedures:

- clean the unit surface at least once a year;
- clean the filter regularly (the required frequency is determined by operating conditions);
- use specially treated water from water mains to reduce salt sediment.

The three-way valve electric motor and actuator require no servicing.

MANUFACTURER'S WARRANTY

The manufacturer ensures the steady unit operation within 12 months since the date of sale through the retail distribution network provided that transportation, storage, mounting and operation instructions are observed.

In case of no mark of date of sale, the warranty period is counted starting from the date of manufacture.

In case of any failures in unit operation due to faulty equipment during warranty period, the Seller undertakes to replace the unit.

Replacement is offered by the Seller.



WARNING

The manufacturer reserves the right to use component parts produced by third-party manufacturers if these match the unit specifications.