

Series
VENTS VKMK



Centrifugal roof fans with the air flow up to **1880 m³/h (50 Hz)** and up to **1920 m³/h (60 Hz)** in the steel casing with the horizontal exhaust of air

Applications

Exhaust ventilation systems for commercial, office and other public or industrial premises. Suitable for mounting on any roof types as well as connection to Ø 150 up to 315 mm round air ducts.

Design

The fan casing is made of steel with polymeric coating. A thin steel connection plate is provided at the bottom of VKMKp model.

Motor

The centrifugal impeller with backward curved blades is powered by means of the single phase motor with external rotor. The motors are equipped with thermal overheating protection with automatic restart as well as ball bearings for long service life. For precise features, safe operation and low noise of the fan, each turbine is dynamically balanced while assembly. Motor protection rating IP44.

Speed control

Smooth or step speed control is performed by means of the thyristor or autotransformer controller. Several fans can be connected to one controller in case the total power and operating current do not exceed the rated controller values.

Mounting

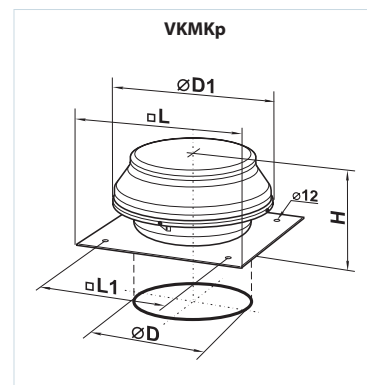
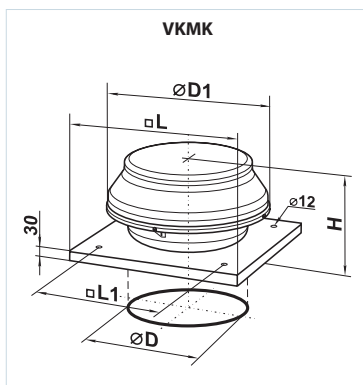
The fan is mounted on the roof directly above the ventilating duct or shaft and is firmly fixed to the flat surface by means of a connecting plate. Electrical connection and mounting shall be performed in compliance with the manual and wiring diagram on the terminal box.

Technical data

	VKMK 150		VKMK 200		VKMK 250		VKMK 315	
Voltage [V]	1~230		1~230		1~230		1~230	
Frequency [Hz]	50	60	50	60	50	60	50	60
Power [W]	98	119	154	205	194	240	296	413
Current [A]	0.43	0.52	0.67	0.9	0.85	1.05	1.34	1.8
Max. air flow [m ³ /h]	555	580	950	1000	1310	1340	1880	1920
RPM [min ⁻¹]	2705	2855	2375	2510	2790	2860	2720	2780
Noise level at 3 m [dBA]	47	48	48	50	52	53	54	55
Transported air temperature [°C]	-25...+55	-25...+50	-25...+50	-25...+50	-25...+50	-25...+50	-25...+50	-25...+50
SEC class	B		B		-		-	
Protection rating	IPX4		IPX4		IPX4		IPX4	

Fan overall dimensions

Type	Dimensions [mm]					Mass [kg]
	ØD	ØD1	H	L	L1	
VKMK 150	149	400	230	440	330	7.2
VKMK 200	198	400	250	440	330	8.1
VKMK 250	248	400	249	590	450	10.1
VKMK 315	315	550	339	590	450	12.3
VKMKp 150	149	400	230	440	330	6.8
VKMKp 200	198	400	250	440	330	7.7
VKMKp 250	248	400	249	590	450	9.6
VKMKp 315	315	550	339	590	450	11.6

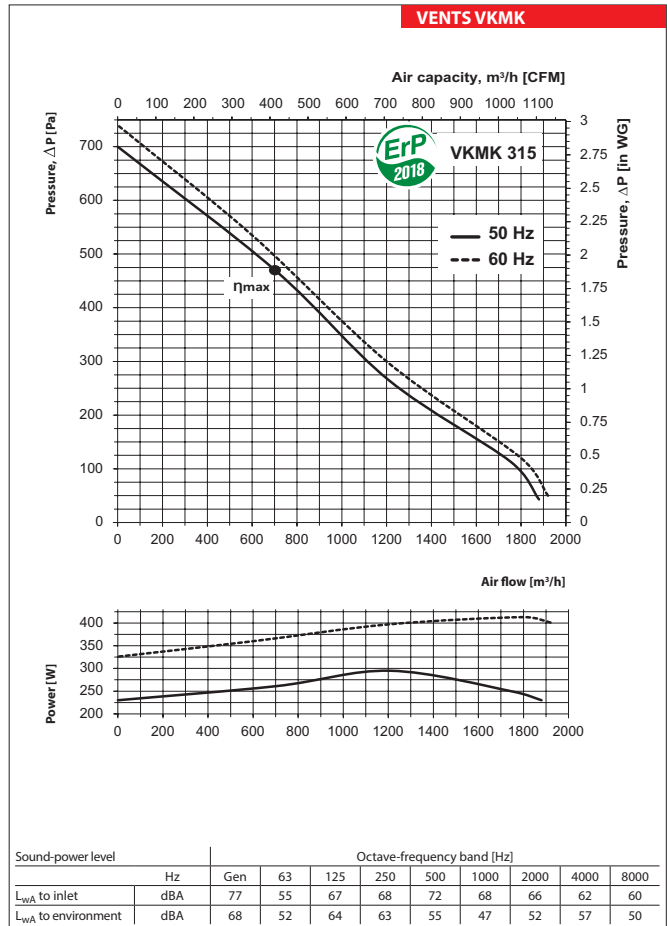
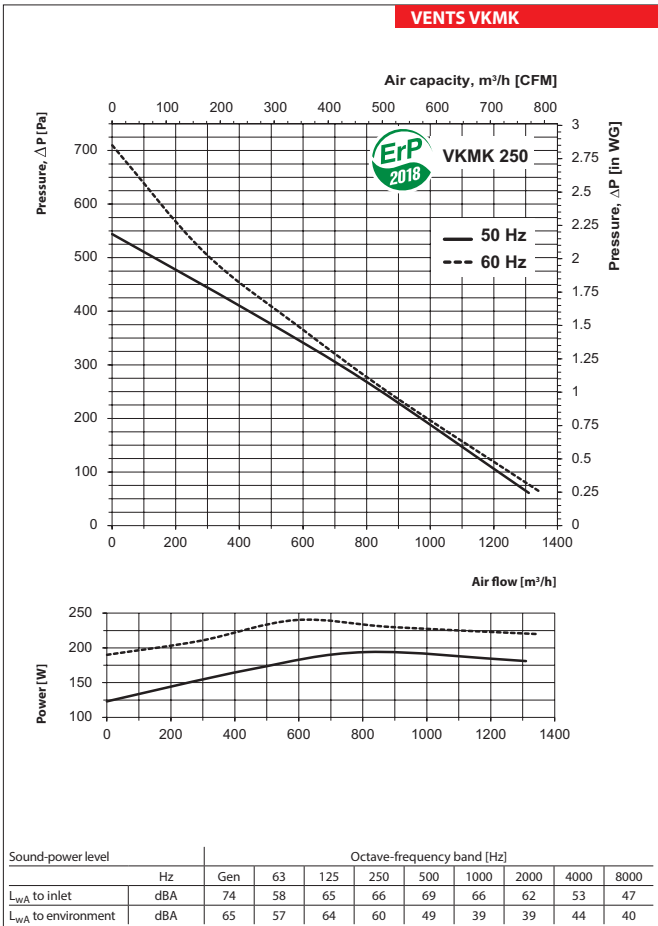
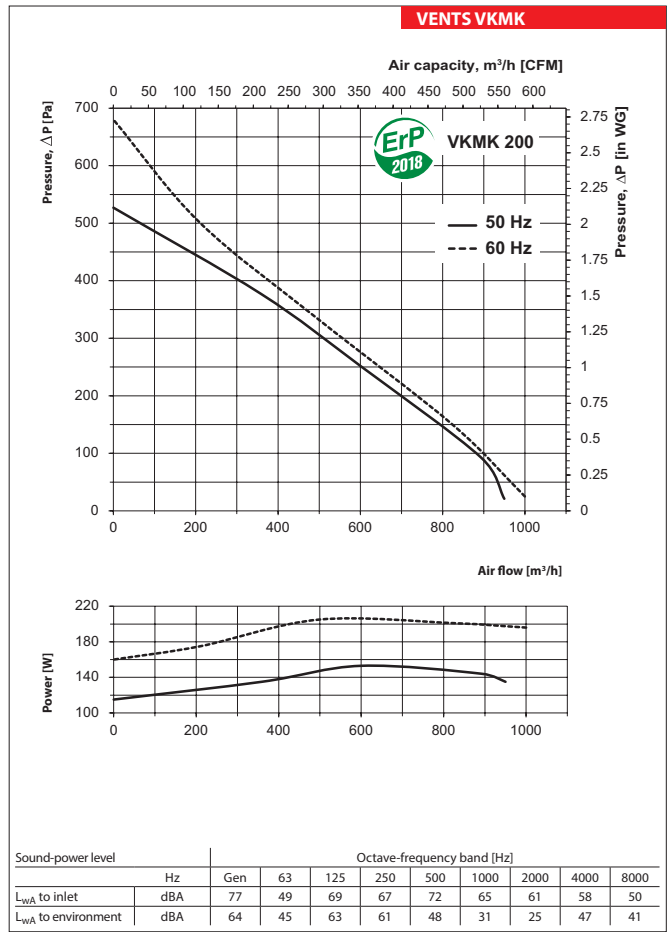
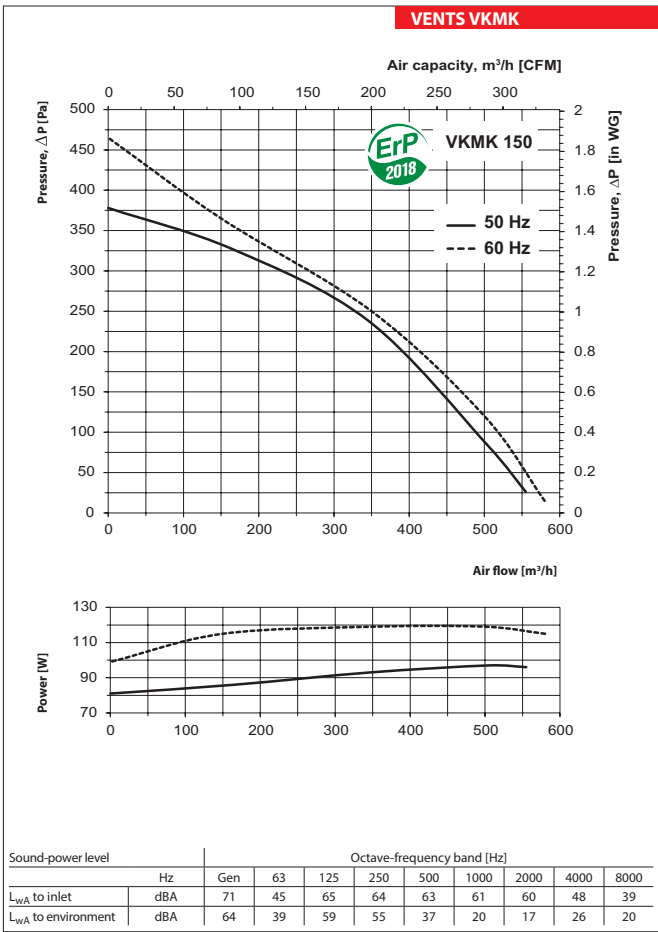


Designation key

Series		Spigot diameter
VENTS VKMK	p: flat connection plate	150; 200; 250; 315



ErP data	
Overall efficiency	η [%]
Measurement category	MC
Efficiency category	EC
Efficiency grade	N
Variable speed drive	VSD
Power	kW
Current	A
Air flow	m ³ /h
Static pressure	Pa
Speed	n/min ⁻¹
Specific ratio	SR



FAN SERIES VENTS VKMK