

Series
VENTS VUE2 150 P EC Comfo



A6 control panel

Suspended air handling unit in heat- and sound-insulated casing with horizontal spigot orientation. Air capacity up to **170 m³/h**, heat recovery efficiency up to 87 %.

■ **Description**

The suspended air handling unit VUE2 150 P EC Comfo is a fully-featured ventilation unit which ensures air filtration, fresh air supply and stale air extract.

The thermal heat energy and latent moisture energy contained in extract air are transferred to supply air in two plate heat exchangers.

Suitable for integration into various ventilation and air conditioning networks.

The unit is featured with extremely low noise level due to the fans located between two heat exchangers as well as EC motor technology.

Low energy demand and high heat recovery efficiency of the units meet the strict energy saving market demands.

Compatible with round Ø 125 mm air ducts.

■ **Casing**

Made of double-skinned aluzinc, internally filled with 20 mm mineral wool heat- and sound-insulating layer.

■ **Filter**

Supply and extract air flows are purified through two bag filters with filtering class G4.

■ **Fans**

The unit is equipped with a supply and exhaust centrifugal fan with backward curved blades and integrated overheating protection thermostat with automatic restart. The motors and the impellers are dynamically balanced in two planes.

■ **Heat exchangers**

The enthalpy exchangers of polymerized cellulose are designed to recuperate both sensible and latent energy from extract air to warm up supply air. These heat exchangers are frost-proof and produce no condensate.

The units with polymerized cellulose heat exchangers are recommended for use in air conditioned premises. The heat exchangers are treated with a special antibacterial composition.

■ **Control and automation**

The unit is equipped with an integrated automation system controlled with a multifunctional wall-mounted control panel or wireless remote controller (included into the delivery).

Control and protection function:

- ▶ Switching the unit on/off.
- ▶ Three fan speeds. Each speed is adjustable during setup.
- ▶ Alarm signal input from the fire alarm system.
- ▶ Heat exchanger freezing protection actuated by switching the supply fan off for the period required for the heat exchanger defrosting.

- ▶ Relay input for connection of a CO₂ sensor, IAQ sensor or any other sensor, which switches the unit to the maximum speed.

- ▶ Filter clogging control by the motor meter.
- ▶ Weekly scheduled operation setup.

Controllable ventilation on demand:

The unit is equipped with a contact for relay input signal from an external sensor. The unit operation controlled by an external sensor, i.e. CO₂ sensor, provides significant energy saving.

Operation logic based on the unit operation controlled by a CO₂ sensor:

When a flat is empty, the CO₂ concentration is low and no intensive ventilation is required. The unit operates at minimum speed to ensure permanent ventilation. When people come to the flat, the CO₂ concentration increases and the sensor closes the relay contact and sends a signal to the unit. The unit switches to high speed and operates in this mode until the CO₂ concentration drops and the relay contact is opened. After that the unit reverts to the previous operation mode.

To arrange this operating logic connect a sensor with a relay-controlled output to the respective unit input.

■ **Mounting**

The unit is designed for suspended ceiling or wall mounting in balcony, storeroom, basement, attic and other auxiliary premises. The unit is also suitable for installation in major premises directly to the ceiling, behind the false ceiling or in the ceiling or wall recess. Access for servicing and cleaning through the service panel.

Designation key: _____

Series	Number of heat exchangers	Rated air capacity [m ³ /h]	Mounting type	Motor type	Service side	Control type
VENTS VUE	2	150	P – suspended	EC – synchronous electronically commutated motor	L – left R – right	Comfo

Accessories



page 378

page 378

page 442

page 447

page 455

page 492

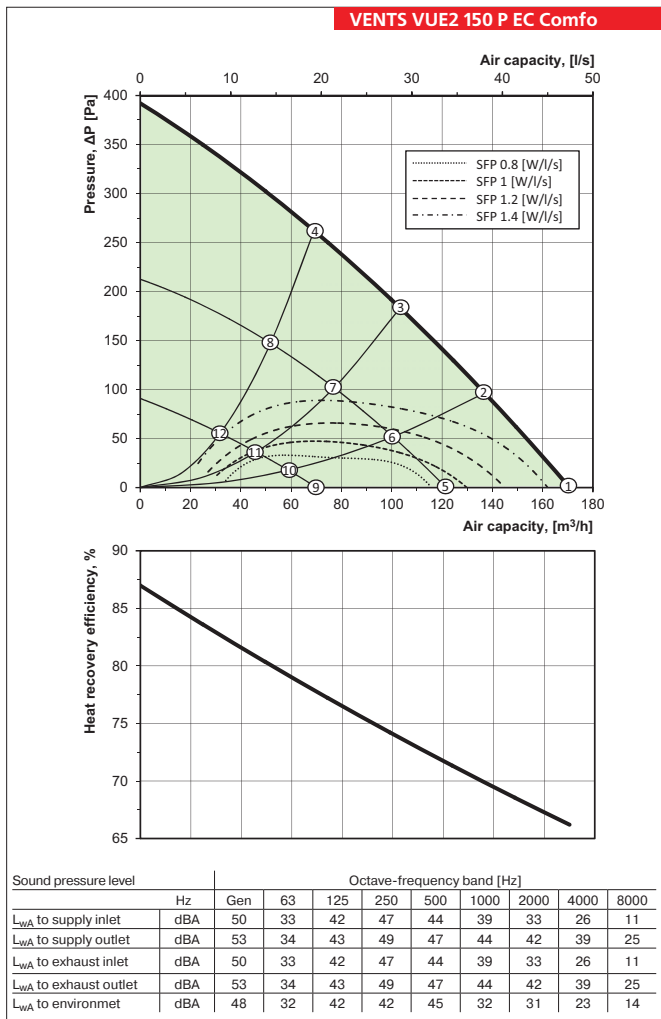
page 492

page 498

page 499

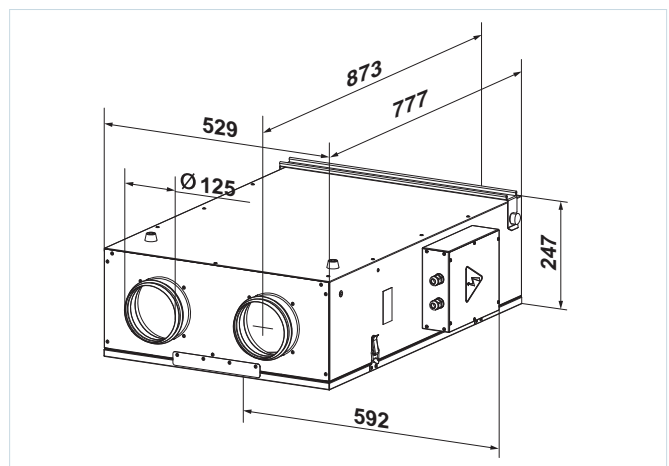
Technical data:

VUE2 150 P EC Comfo	
Voltage [V / Hz]	1~ 220-240 / 50-60
Total unit power [W]	57
Total unit current [A]	0.55
Max. air capacity [m³/h]	170
RPM	3730
Sound pressure level at 3 m [dBA]	28
Transported air temperature [°C]	from -25 up to +40
Casing material	aluzinc
Insulation	20 mm mineral wool
Filter: extract / supply	bag type G4 / G4 (order code SFK VUE2 150 P EC Comfo G4)
Connected air duct diameter [mm]	Ø 125
Weight [kg]	20
Heat recovery efficiency	up to 87 %
Heat exchanger type	cross-flow, 2 items
Heat exchanger material	polymerized cellulose
SEC Class	A



Point	P, [W]	I, [A]
1	58	0,45
2	57	0,45
3	55	0,44
4	51	0,41
5	28	0,26
6	27	0,25
7	26	0,24
8	25	0,23
9	12	0,12
10	12	0,12
11	11	0,12
12	11	0,11

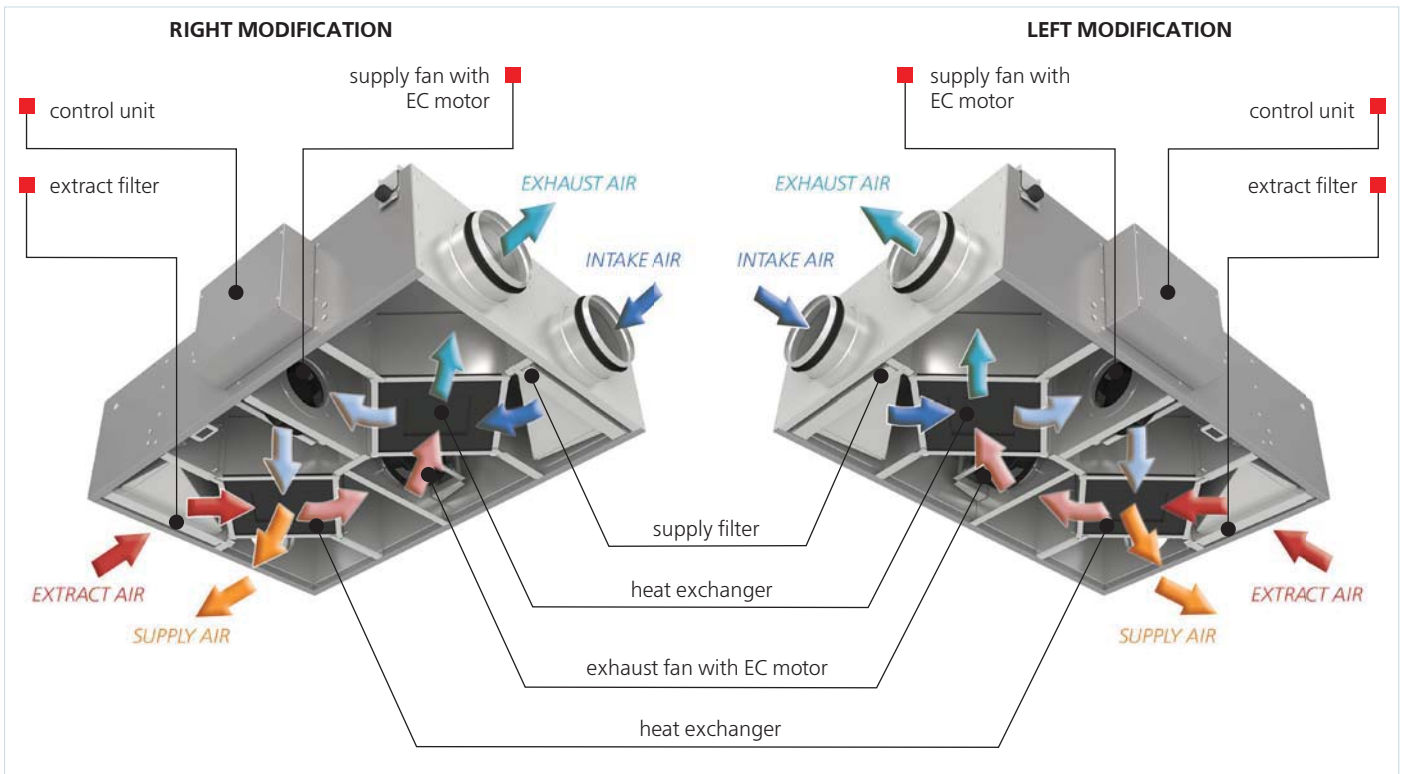
Overall dimensions:



VENTS
 HEAT RECOVERY AIR
 VUE2 150 P EC
 HANDLING UNITS
 Comfo

HEAT RECOVERY AIR HANDLING UNITS

Unit design:



Application examples:

