

Series
VENTS VUE P3



Heat recovery air handling units in heat- and sound-insulated casing with max. air flow **400 m³/h** and heat recovery efficiency **87 %**

■ **Application**

The VUE P3 air-handling units are the fully featured ventilation units with heat recovery for air filtration, fresh air supply and stale air extract. Designed for application in various ventilation systems that require cost-saving and controllable ventilation.

■ **Design**

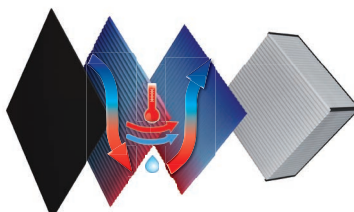
The casing is made of polymer coated steel panels, internally lined with 5 or 10 mm heat- and sound-insulating layer of cellular polyurethane.

■ **Fans**

Single-phase external rotor motors with forward curved blades. The motors have overheating protection with automatic restart.

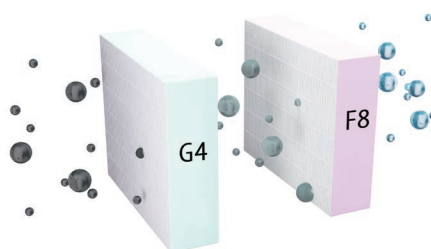
■ **Heat recovery**

Enthalpy cross-flow heat exchanger with recovery efficiency to 87 %. The enthalpy heat exchanger enables not only heat, but also humidity recovery.



■ **Air filtration**

Efficient supply air filtration with two built-in G4 and F8 panel filters. Extract air filtration with a panel G4 filter.



■ **Control and automation**

The VUE P3 A1 unit is equipped with the speed controller RS-1-400.



The VUE P3 A12 unit has the speed controller with touch buttons and LED indication SRS-1.



■ **Freeze protection**

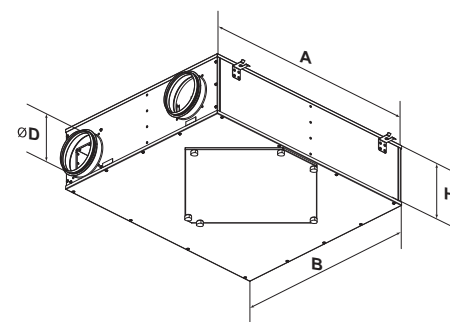
In case of freezing danger determined by the temperature sensor the supply fan is turned off to let extract air warm up the heat exchanger.

■ **Mounting**



Due to low height of the casing the unit offers the optimum solution for the suspended ceiling installation in limited installation space.

Overall dimensions [mm]

Model	A	B	H	ØD
VUE 150 P3	854	704	227	100
VUE 250 P3	854	704	227	150
VUE 350 P3	1024	754	277	150



Accessories

Model	G4 panel filter	F8 panel filter
		
VUE 150 P3	SF 300 x 220 x 48 G4	SF 300 x 220 x 48 F8
VUE 250 P3	SF 300 x 220 x 48 G4	SF 300 x 220 x 48 F8
VUE 350 P3	SF 300 x 270 x 48 G4	SF 300 x 270 x 48 F8

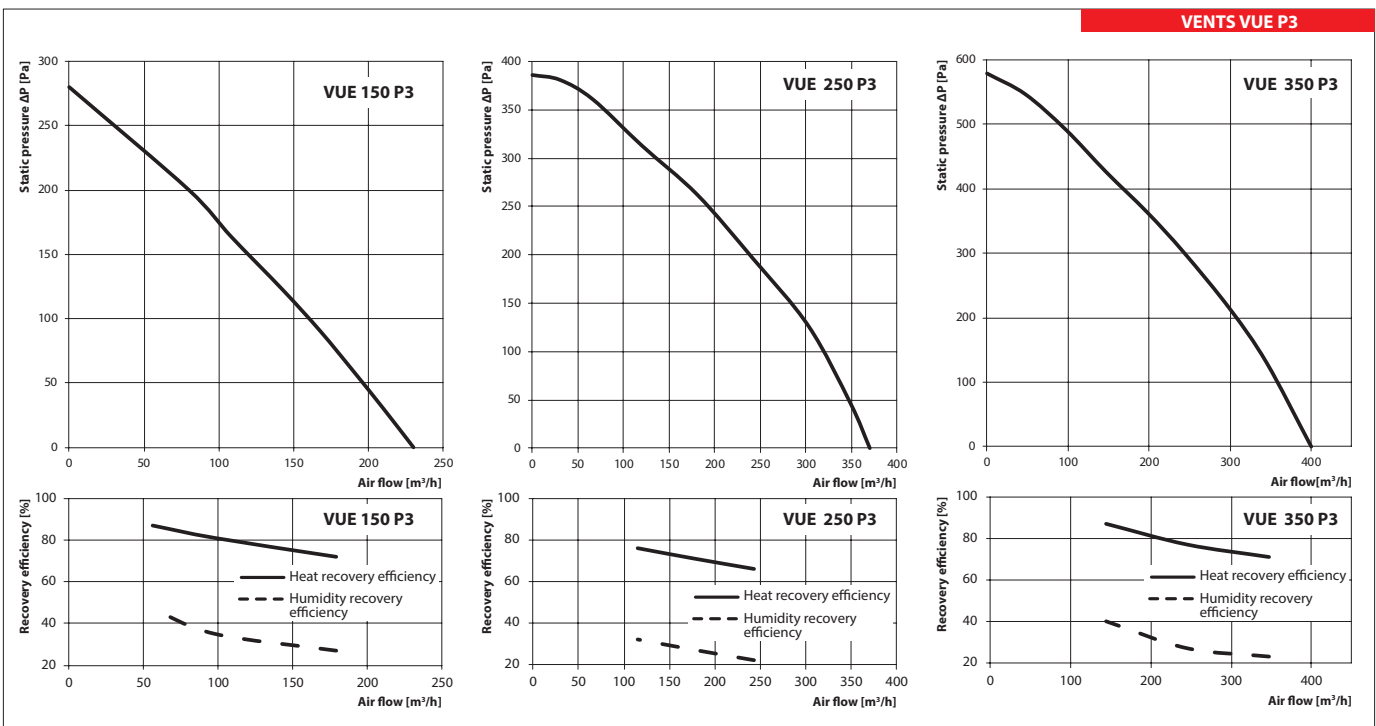
Designation key

Series	Rated air flow [m ³ /h]	Design features	Casing modification	Service side	Control panel
VENTS VUE: energy recovery ventilation	150; 250; 350	P: suspended mounting	3: low-profile unit	L: left R: right	A1: speed switch RS-1-400 A12: sensor speed control panel SRS-1

Technical data

	VUE 150 P3	VUE 250 P3	VUE 350 P3
Unit supply [V/50 (60) Hz]		1~230	
Power [W]	125	250	310
Current [A]	0.6	1.1	1.4
Max. air flow [m³/h]	230	370	400
RPM [min ⁻¹]	2235	2400	2150
Noise level at 3m [dBA]	49	52	57
Transported air temperature [°C]		-5...+40	
Casing material	polymer coated steel		
Insulation	5 mm, 10 mm polyurethane foam		
Extract filter	G4		
Supply filters	G4 and F8 (PM 2,5 93 %)	G4 and F8 (PM 2,5 83 %)	G4 and F8 (PM 2,5 87 %)
Connected air duct diameter [mm]	100	150	150
Heat recovery efficiency [%]*	72 up to 87	66 up to 76	71 up to 87
Humidity recovery efficiency [%]	27 up to 47	22 up to 32	23 up to 40
Heat exchanger type	cross-flow		
Heat exchanger material	enthalpy		
Mass [kg]	26	29	42
SEC class	D	E	E

* Heat recovery efficiency is calculated in compliance with EN 13141-7



Application example

